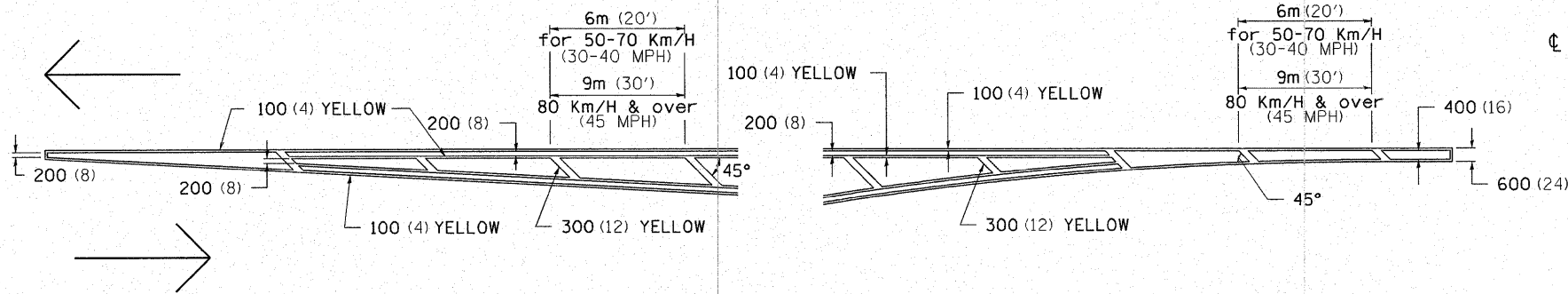
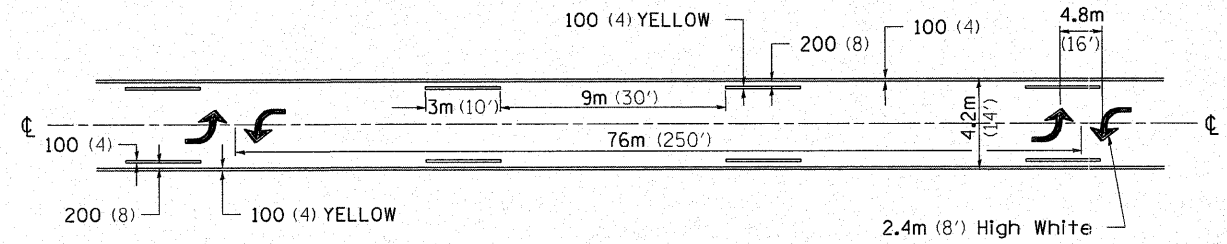


TYPICAL PAVEMENT MARKINGS

TYPICAL PAVEMENT MARKING FOR FLUSH MEDIAN AT LEFT TURN LANE

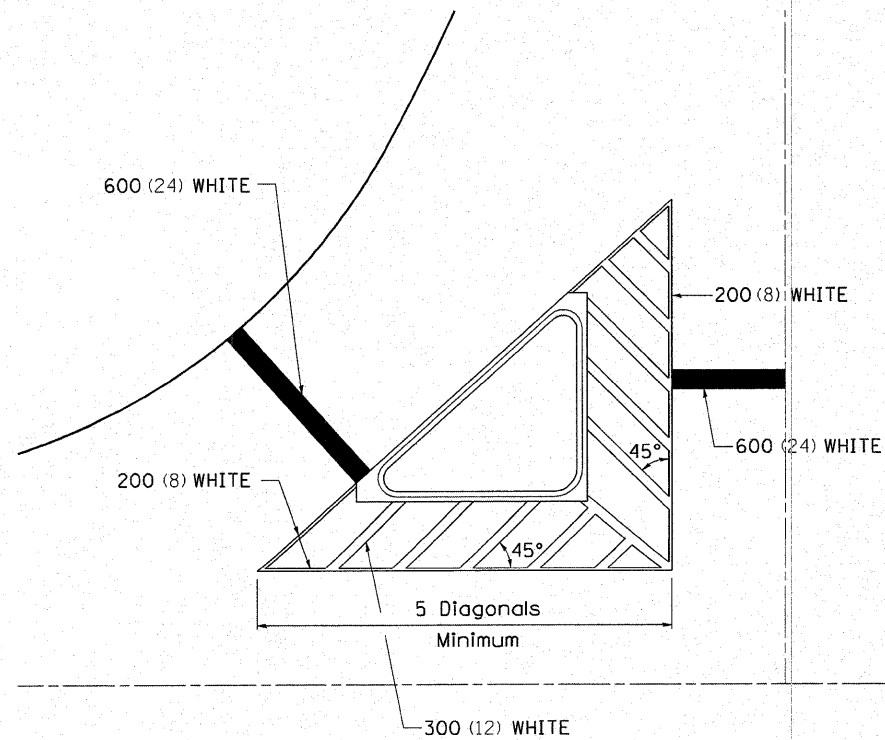


MEDIAN PAVEMENT MARKING

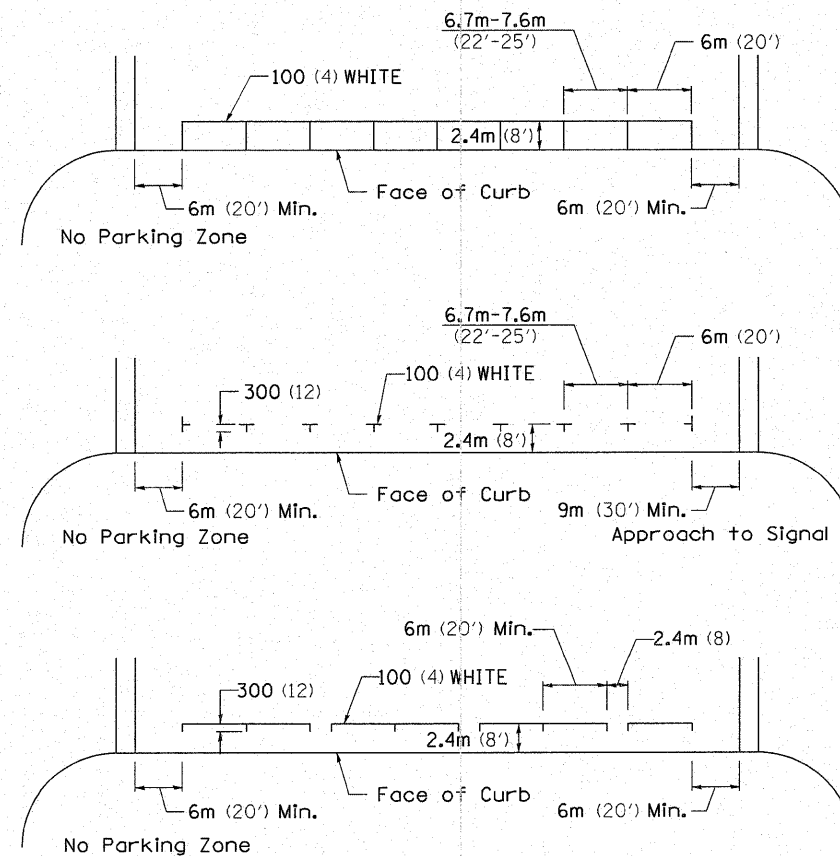


•• ALL DIMENSIONS ARE IN MILLIMETERS (INCHES) UNLESS OTHERWISE NOTED.

TYPICAL ISLAND OFFSET SHOULDER WIDTH

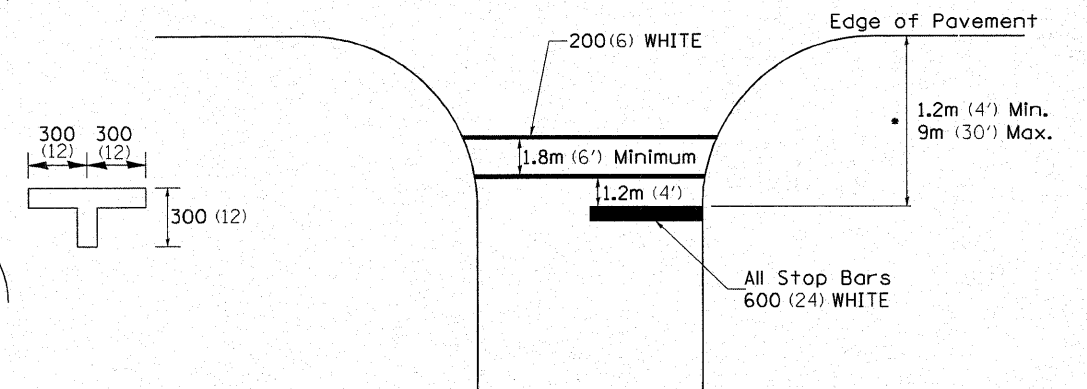


TYPICAL PARKING SPACING



STANDARD CROSSWALK MARKING

See Schedules for Locations



• Distance to the nearest edge of the intersecting roadway in the absence of a marked crosswalk.

FILE NAME = W:\2298-03 - US 20 IL 84 Intersection\0300 Sheets\0208108-sht-details.dgn	USER NAME = IDOTCAD	DESIGNED - SPF	REVISIONS - 10-21-08	STATE OF ILLINOIS DEPARTMENT OF TRANSPORTATION	REGION 2 / DISTRICT 2 STANDARD		F.A. RTE.	SECTION	COUNTY	TOTAL SHEETS	SHEET NO.	
PLOT SCALE = 1:80000 1/8" = 1'	CHECKED - JMS	DATE - 01/23/09	REVISIONS -		SCALE: NONE	SHEET NO. 03 OF 10 SHEETS	STA. TO STA.	301	30-M-2	JO DAVIESS	81	50
								CONTRACT NO. 64E29				
								ILLINOIS FED. AID PROJECT				