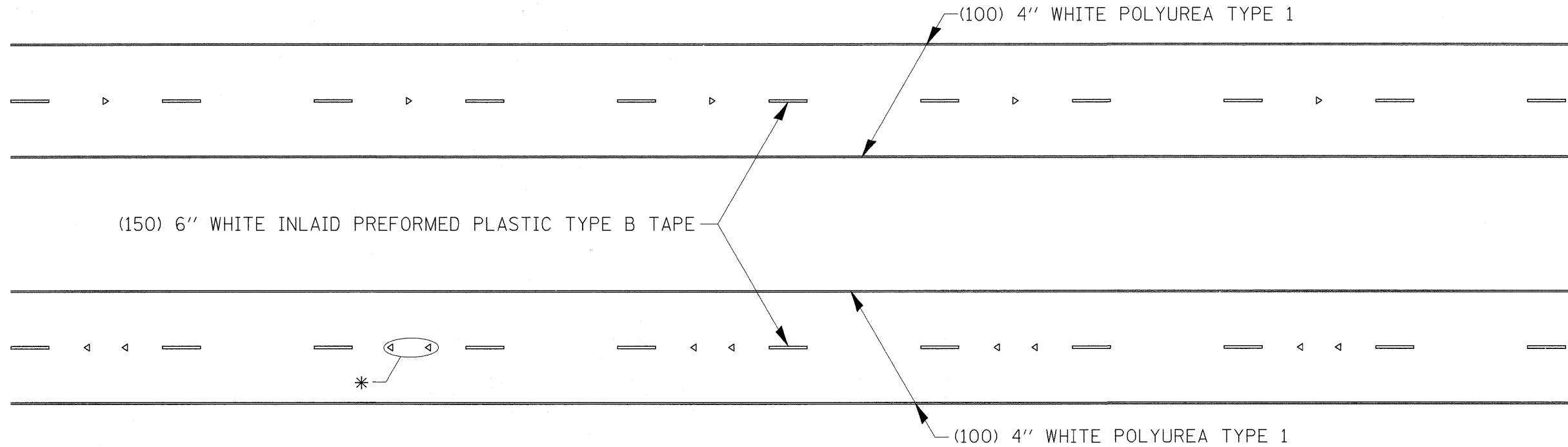
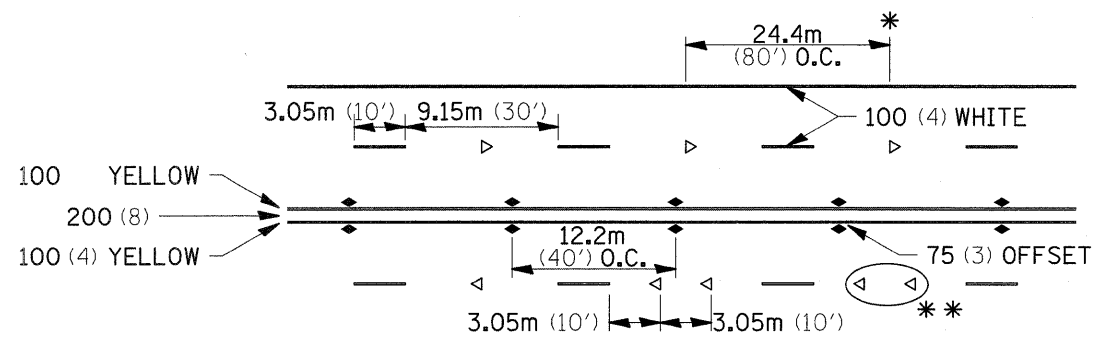


TYPICAL PAVEMENT MARKINGS



* SEE HIGHWAY STANDARD 781001 FOR SPACING DETAILS.
 USE DOUBLE MARKERS WHEN ADT \geq 25,000.

MULTI-LANE / DIVIDED



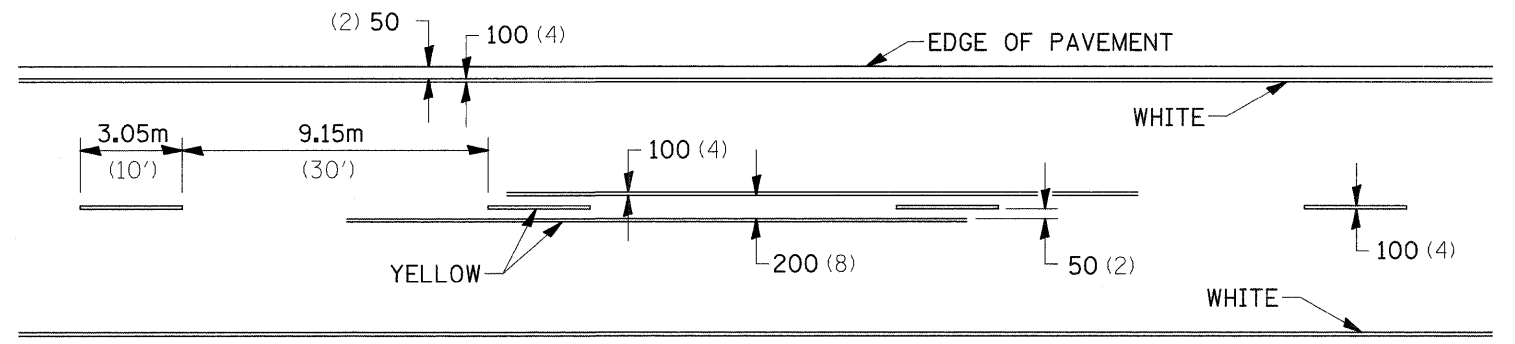
* REDUCE TO 12.2m (40') O.C. ON CURVES WHERE ADVISORY SPEEDS ARE 15Km/H (10MPH) LOWER THAN POSTED SPEEDS.

** USE DOUBLE MARKERS WHEN ADT \geq 25,000

MULTI-LANE / UNDIVIDED

SYMBOLS

TYPICAL PAVEMENT MARKING FOR TWO LANE SECTION – NO PASSING ZONES



FILE NAME =	USER NAME = cushmanbw	DESIGNED -	REVISED - 10-21-08	STATE OF ILLINOIS DEPARTMENT OF TRANSPORTATION	REGION 2 / DISTRICT 2 STANDARD	F.A.P. RTE.	SECTION	COUNTY	TOTAL SHEETS	SHEET NO.	
cd:\pw\work\pw\dot\cushmanbw\dms51082\0200109-sht-details.dgn	PLOT SCALE = 50.0000' / IN.	DRAWN -	REVISED -			561	(32-4M-2)	WHITESIDE	34	26	
PLOT DATE = Fri Jan 23 06:59:32 2009	DATE -	CHECKED -	REVISED -			CONTRACT NO. 64E58					
						SCALE:	SHEET NO.	OF	SHEETS	STA.	TO STA.