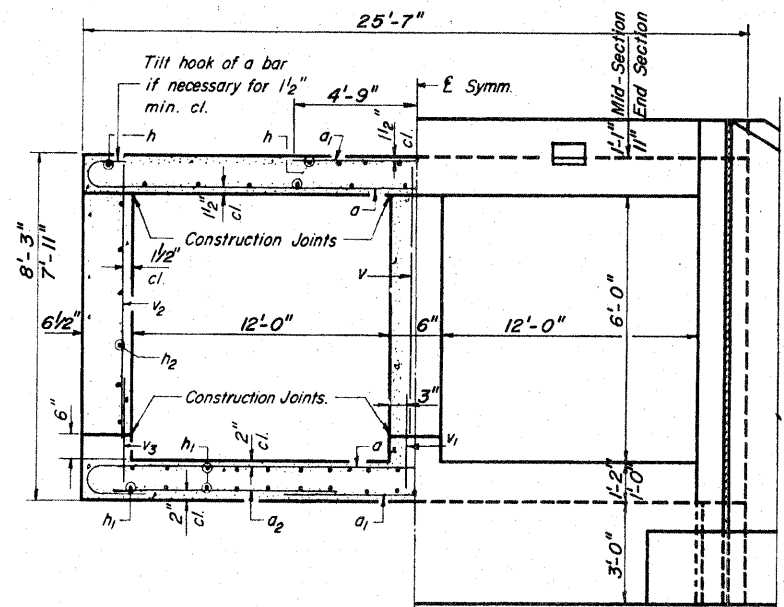
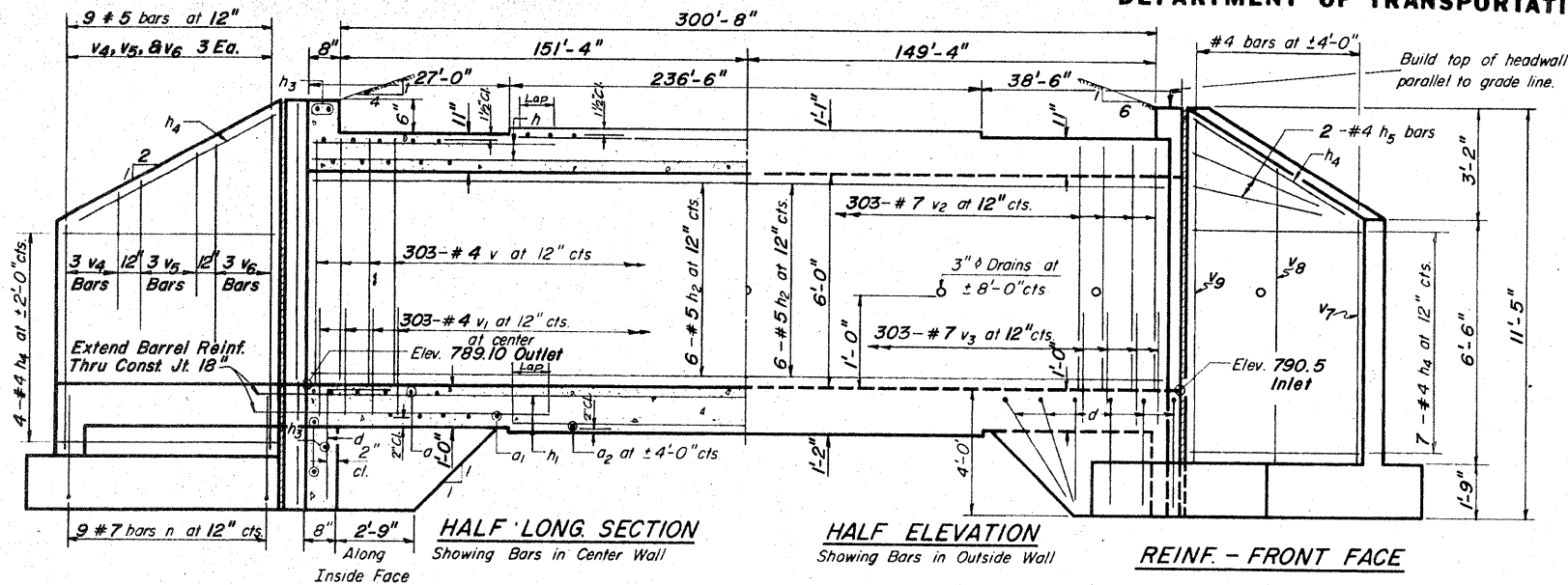


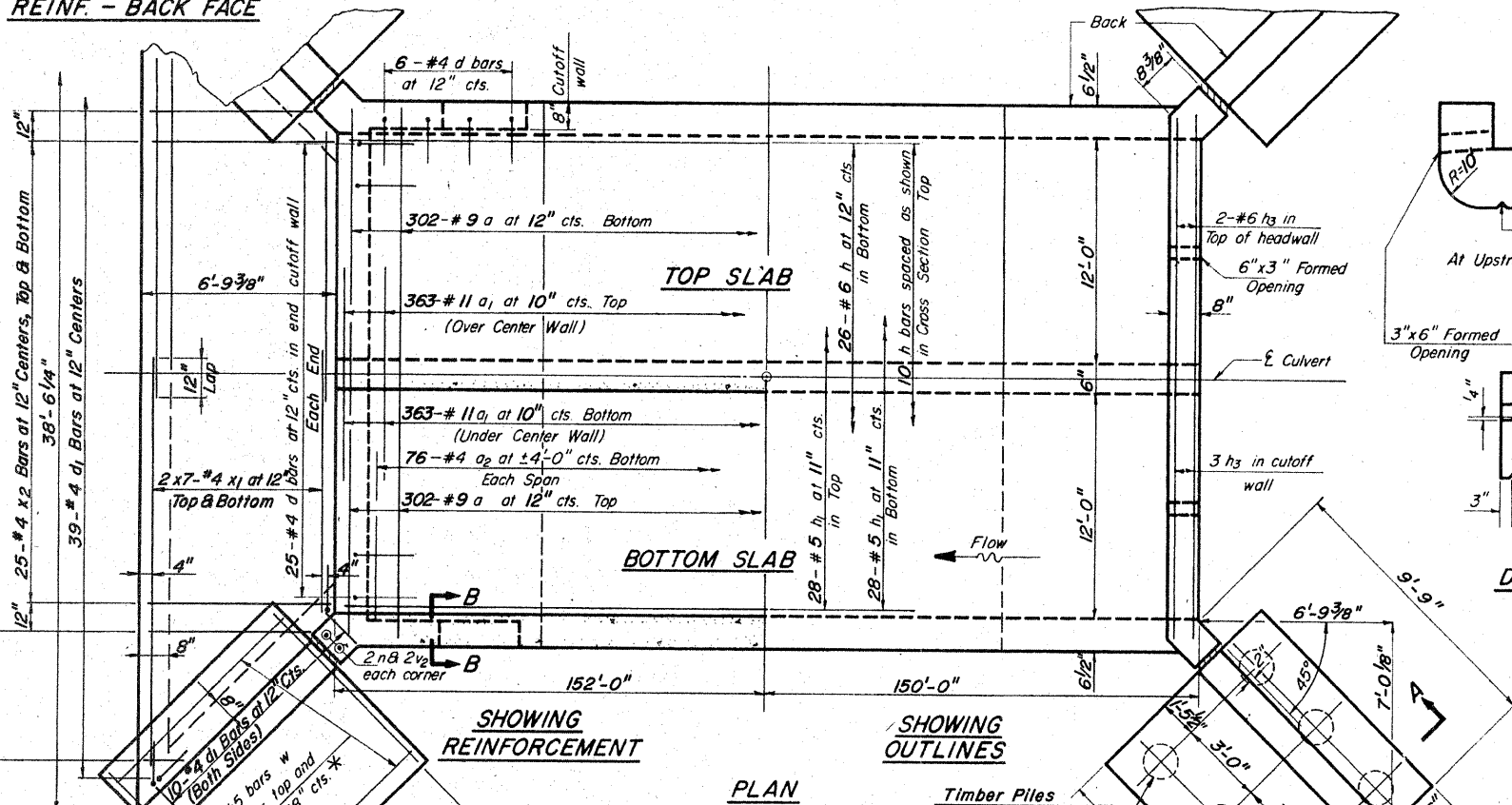
STATE OF ILLINOIS
DEPARTMENT OF TRANSPORTATION

ROUTE NO.	SECTION	COUNTY	TOTAL SHEETS	SHEET NO.
FA 412	141-1A	OGLE	628	225
FED. ROAD DIST. NO. 7	ILLINOIS	FED. AID PROJECT		

SHEET NO. 2
2 SHEETS

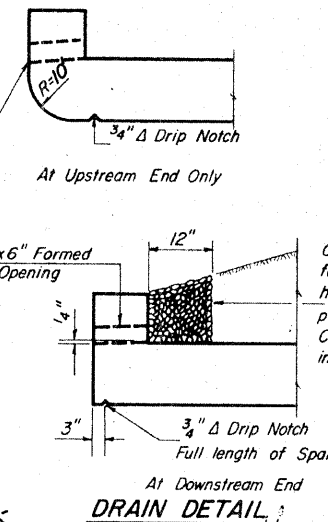


REINFORCING BACK FACE

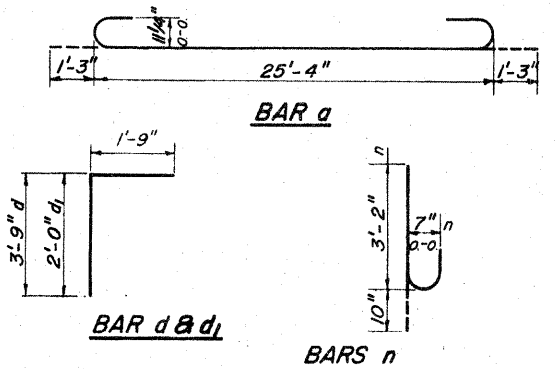


Bar	Location	No.
h	Top of top slab	10
h	Bottom of top slab	26
h1	Top of bottom slab	28
h1	Bottom of bottom slab	28
h2	Each outside wall	6
h2	Center wall	6

9 Lengths each required



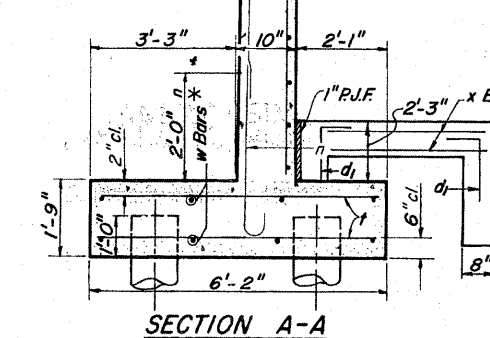
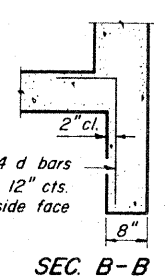
HALF SECTION THRU BARREL and **HALF END ELEVATION**



BILL OF MATERIAL

Bar	No.	Size	Length	Bar	No.	Size	Length
a	604	#9	27'-10"	l	72	#4	5'-11"
a1	726	#11	9'-6"	v	302	#4	6'-3"
a2	152	#4	9'-3"	v1	302	#4	2'-3"
d	74	#4	5'-6"	v2	612	#7	6'-3"
d1	59	#4	3'-9"	v3	604	#7	3'-0"
h	324	#6	35'-0"	v4	12	#5	6'-9"
h1	504	#5	35'-0"	v5	12	#5	7'-9"
h2	102	#5	34'-9"	v6	12	#5	8'-9"
h3	10	#6	26'-0"	v7	4	#4	6'-3"
h4	52	#4	8'-6"	v8	4	#4	8'-0"
h5	8	#4	7'-0"	v9	4	#4	9'-3"
n	44	#7	4'-0"	x1	28	#4	19'-6"
				x2	50	#4	6'-6"
				w	32	#5	8'-9"

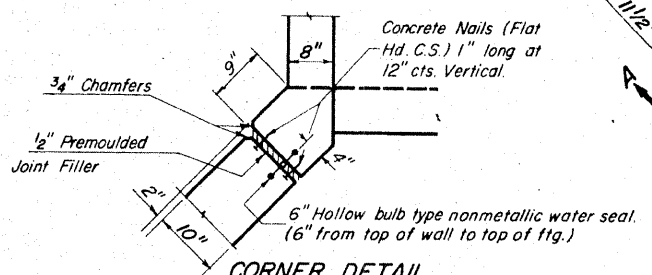
Class X Concrete Cu. Yds. 768.4
 Reinforcement Bars Lbs. 152,280
 Treated Timber Piles Lin. Ft. 288
 Name Plate Ea. 1



PILE DATA

Treated timber piles	24
Estimated length	12'
Capacity	12 ton

DESIGN STRESSES
 fs = 20,000 p.s.i.
 fc = 1400 p.s.i. Barrel
 fc = 1000 p.s.i. Wings
 vc = 90 p.s.i. Barrel
 vc = 75 p.s.i. Footing
 n = 10



FOR INFORMATION ONLY

DESIGNED	WAI
CHECKED	HMW
DRAWN	WAI & BSB
CHECKED	HMW

DB-T-0 9-3-71

DBL. 12' X 6' R.C. BOX CULVERT
 F. A. RTE. 412 SECTION 141-1
 OGLE COUNTY
 STATION 1422+150
SHEET 28 OF 82

LOADING HS 20-44