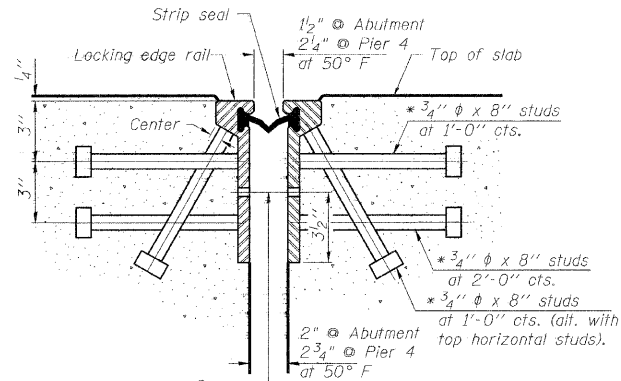


STATE OF ILLINOIS
DEPARTMENT OF TRANSPORTATION

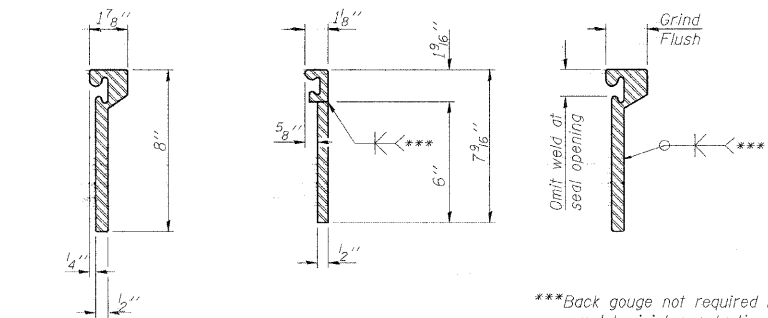
ROUTE NO.	SECTION	COUNTY	TOTAL SHEETS	SHEET NO.	SHEET NO. 5 8 SHEETS
IL 75	(77BRM)	WINNEBAGO	13	7	
FED. ROAD DIST. NO. 7 ILLINOIS FED. AID PROJECT- CONTRACT 646E7					

* Granular or solid flux filled headed studs conforming to Article 1006.32 of the Std. Specs., automatically end welded.



7/16" phi holes at 4'-0" cts. for 3/8" phi bolts. All bolts shall be burned, sawed, or chipped off flush with the plates after forms are removed, typ.

SECTION THRU
ROLLED RAIL JOINT

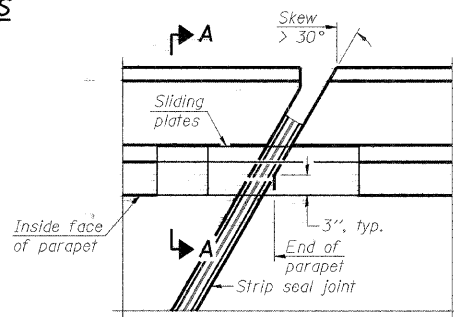


ROLLED
EXTRUDED RAIL WELDED RAIL

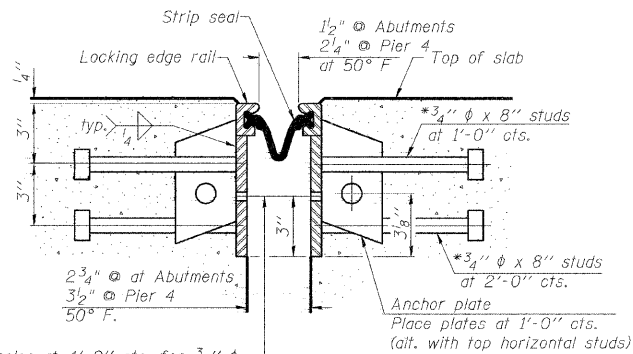
LOCKING EDGE
RAIL SPLICE

The inside of the locking edge rail groove shall be free of weld residue.

LOCKING EDGE RAILS

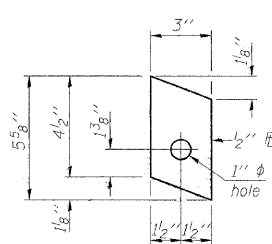


PLAN

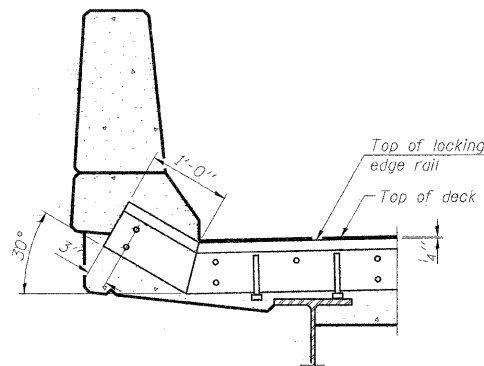


7/16" phi holes at 4'-0" cts. for 3/8" phi bolts. All bolts shall be burned, sawed, or chipped off flush with the plates after forms are removed, typ.

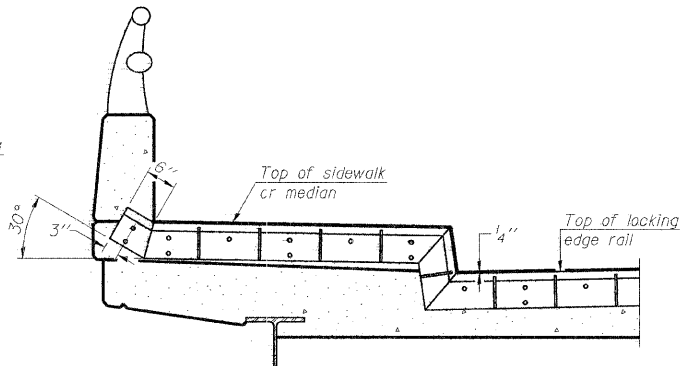
SECTION THRU
WELDED RAIL JOINT



ANCHOR PLATE
(For welded rail)



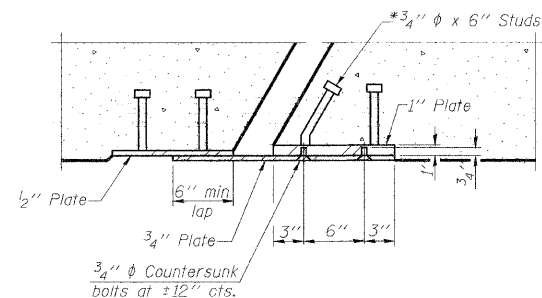
AT PARAPET



AT SIDEWALK OR MEDIAN

Shorter plates with a single row of studs at 12" cts. may be necessary on medians which are shallower than 9". See manufacturer's recommendation.

TYPICAL END TREATMENTS



SECTION B-B

BILL OF MATERIAL

Item	Unit	Total
Preformed Joint Strip Seal	Foot	114

DESIGNED	M.H.
CHECKED	P.B.
DRAWN	C.L.
CHECKED	M.H./P.B.

EJ-SSJ

10-1-08

SECTION A-A
POINT BLOCK DETAILS
(for skews > 30°)

PREFORMED JOINT STRIP SEAL
IL ROUTE 75 OVER ROCK RIVER
FAP ROUTE 505 (IL 75), SECTION (77BRM)
WINNEBAGO COUNTY
STATION 206+00
STRUCTURE NO. 101-0109

SCALE: DATE: January, 2009
Soodan Soodan & Associates, Inc.
100 North LaSalle Street, Suite 1800
Chicago, Illinois 60602