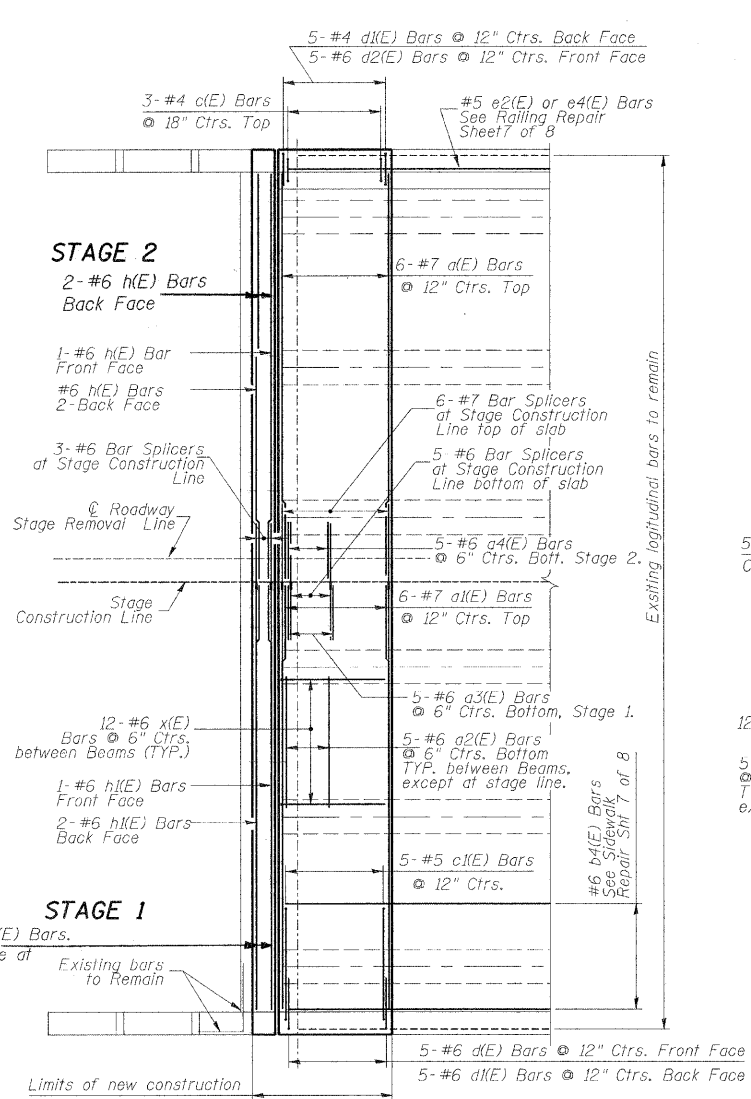


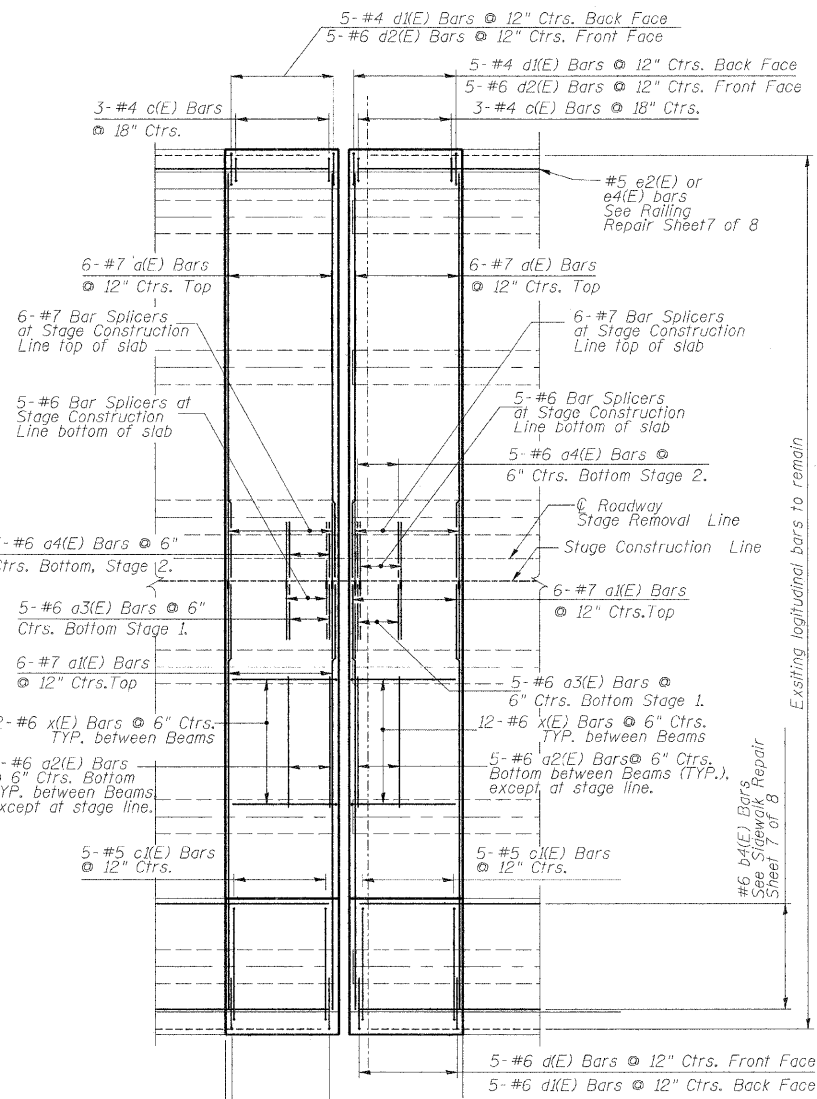
STATE OF ILLINOIS
DEPARTMENT OF TRANSPORTATION

ROUTE NO.	SECTION	COUNTY	TOTAL SHEETS	SHEET NO.	SHEET NO. 6 8 SHEETS
IL 75	177BRM	WINNEBAGO	13	8	
FED. ROAD DIST. NO. 7 ILLINOIS FED. AID PROJECT-					

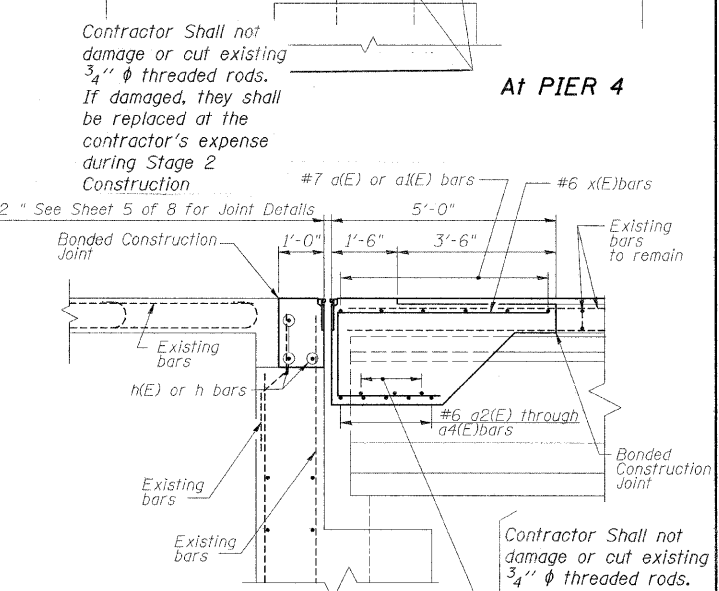
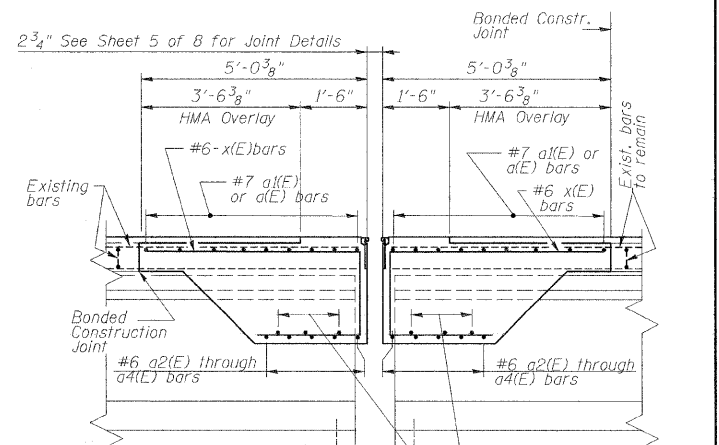
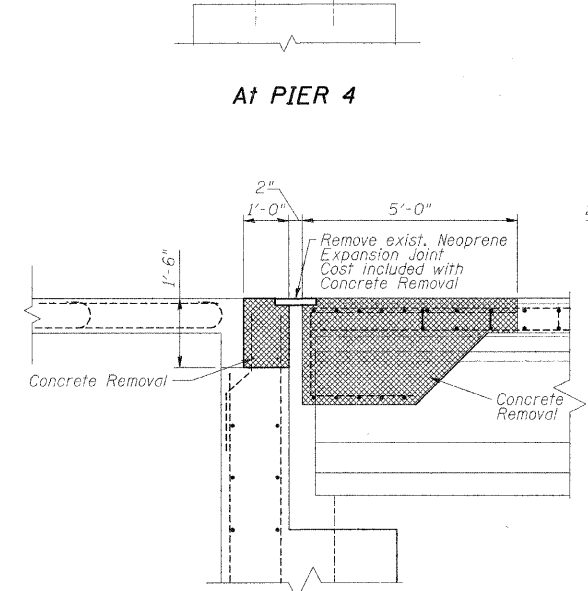
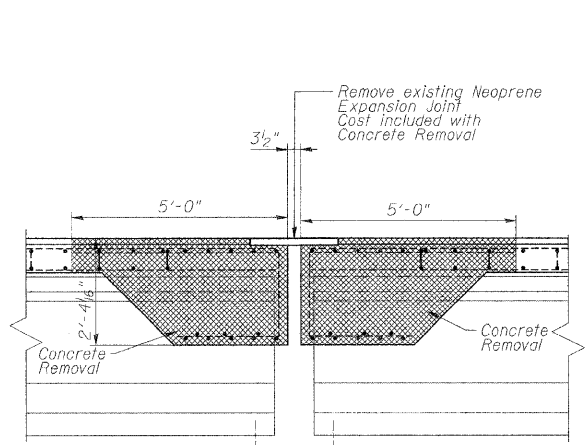
CONTRACT 64E67



Plan at North Abutment
(South abutment opposite hand)

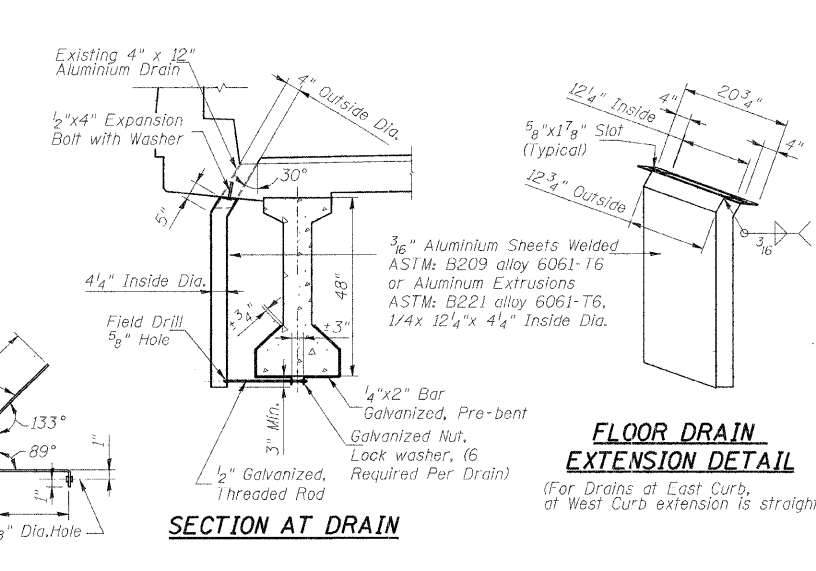
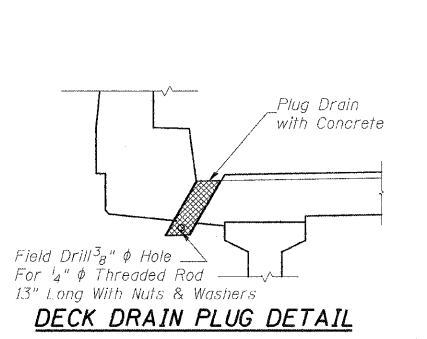
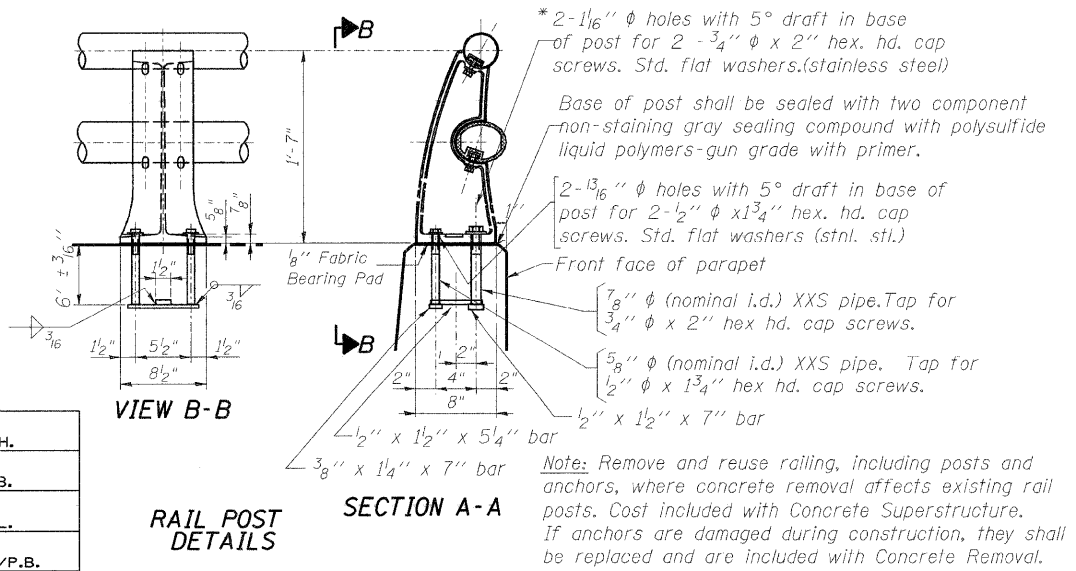


Plan at Pier 4



Contractor Shall not damage or cut existing 3/4" Ø threaded rods. If damaged, they shall be replaced at the contractor's expense during Stage 2 Construction

Contractor Shall not damage or cut existing 3/4" Ø threaded rods. If damaged, they shall be replaced at the contractor's expense during Stage 2 Construction



Note: The Contractor shall use extreme care during concrete removal so as not to damage the PPC I-Beam. Any damage done to the PPC I-Beam shall be repaired to the satisfaction of the Engineer at the Contractor's expense.

DESIGNED	M.H.
CHECKED	P.B.
DRAWN	C.L.
CHECKED	M.H./P.B.

JOINT DETAILS

IL ROUTE 75 OVER ROCK RIVER
FAP ROUTE 505 (IL 75), SECTION (177BRM)
WINNEBAGO COUNTY
STATION 206+00
STRUCTURE NO. 101-0109

SCALE: _____ DATE: January, 2009

Soodan & Associates, Inc.
100 North LaSalle Street, Suite 1800
Chicago, Illinois 60602