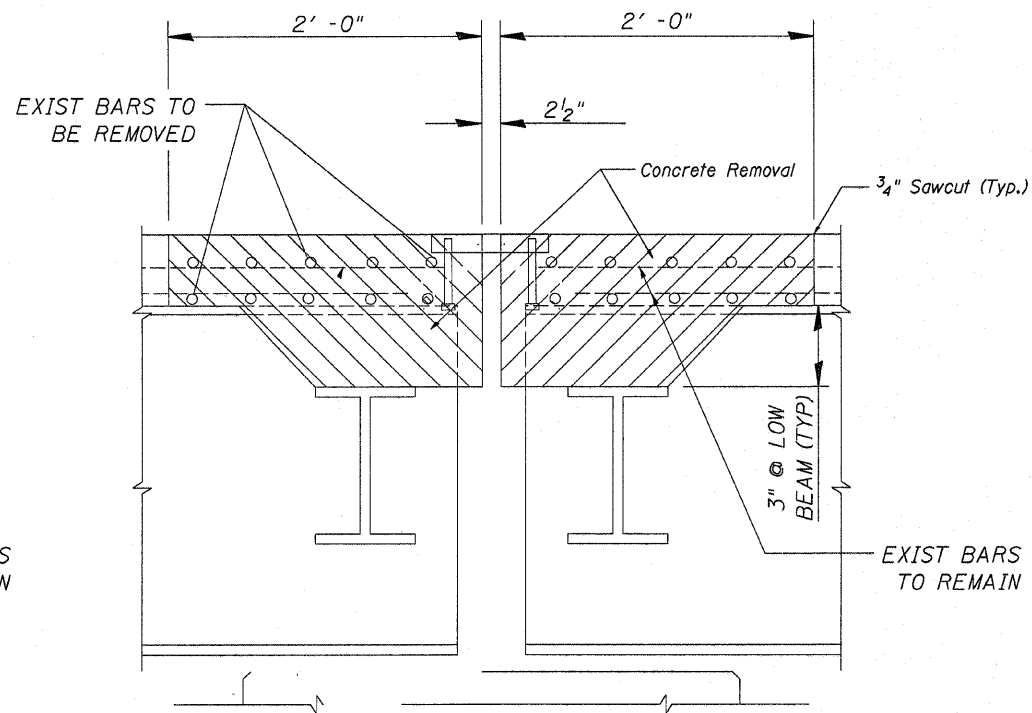
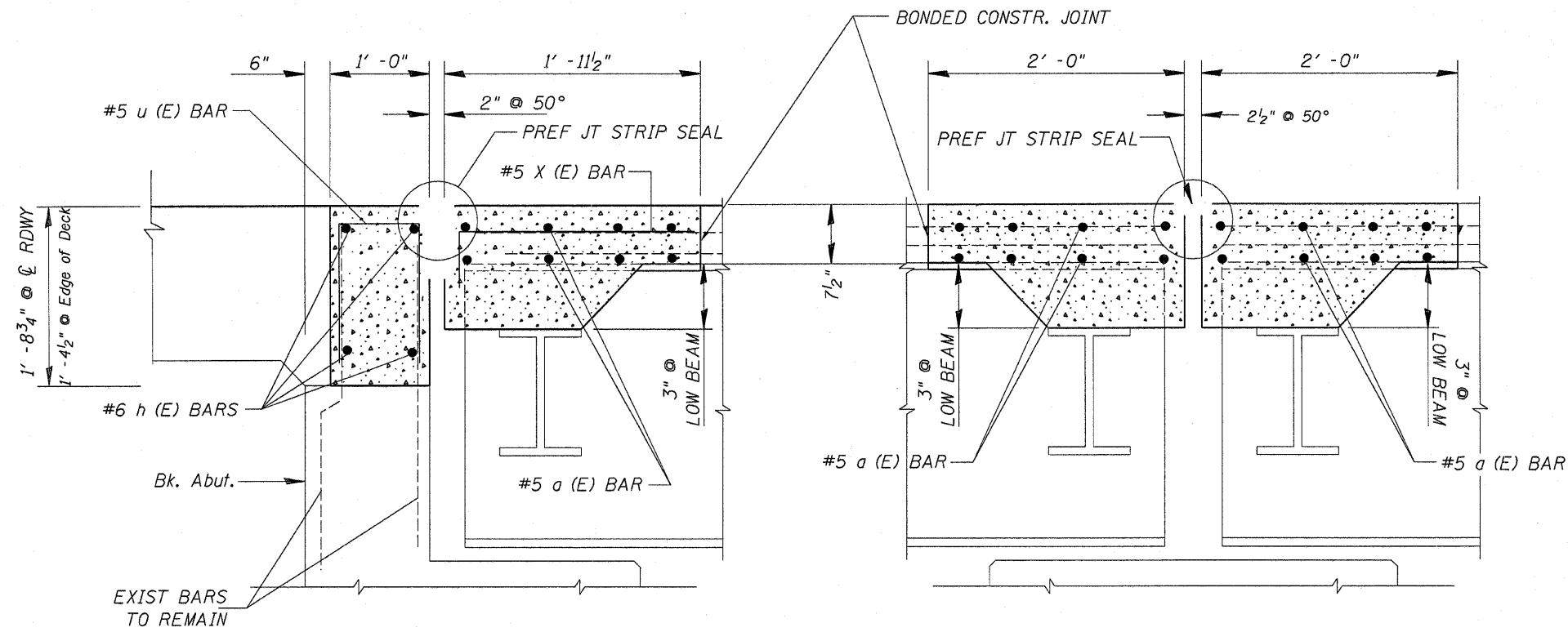


EXIST SECTION THRU ABUTMENTS



EXIST SECTION THRU PIERS 1 & 5



PROP SECTION THRU ABUTMENTS

PROP SECTION THRU PIERS 1 & 5

NOTE: EXISTING REINFORCEMENT BARS SHOWN ARE TO BE CLEANED AND INCORPORATED INTO NEW CONSTRUCTION

JOINT DETAILS  
 US 30 OVER ELKHORN CREEK  
 FAS 1197 (US 30)  
 SECTION (110BR-1)M-1  
 WHITESIDE COUNTY  
 STRUCTURE NUMBER 098-0033

FILE NAME =	USER NAME = jmkdj	DESIGNED -	REVISED -	<b>STATE OF ILLINOIS DEPARTMENT OF TRANSPORTATION</b>	<b>Joint Details</b>		F.A.S. RTE.	SECTION	COUNTY	TOTAL SHEETS	SHEET NO.	
D:\BR\CAOD plans\Whiteside County\0980033.dgn		DRAWN -	REVISED -				1197	(110BR-1)M-1	Whiteside	13	8	
PLOT SCALE = 50.0000' / IN.		CHECKED -	REVISED -				SCALE: _____ SHEET NO. ___ OF ___ SHEETS STA. _____ TO STA. _____		FED. ROAD DIST. NO. _____ [ILLINOIS] FED. AID PROJECT		CONTRACT NO. 64E91	
PLOT DATE = Wed Jan 28 09:00:56 2009		DATE -	REVISED -									