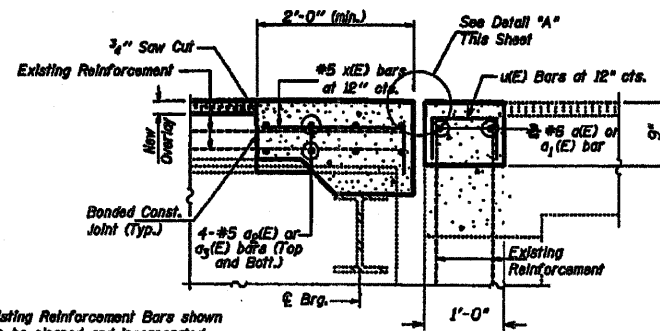
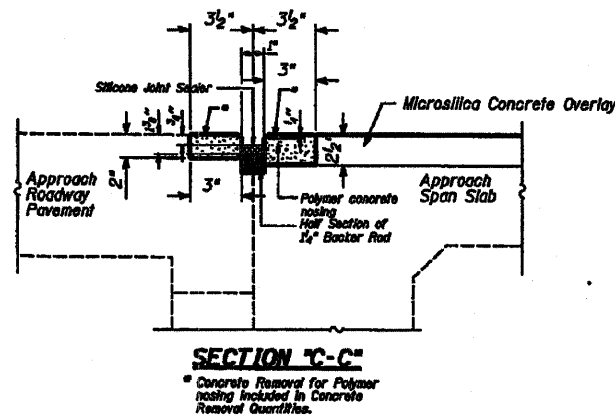
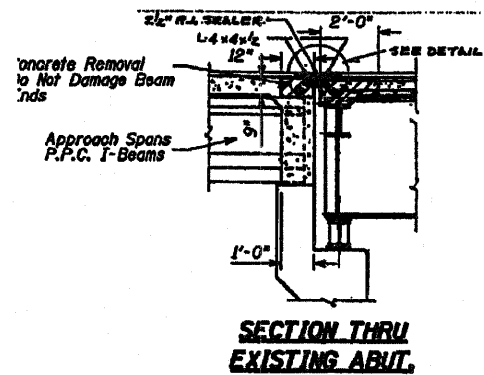
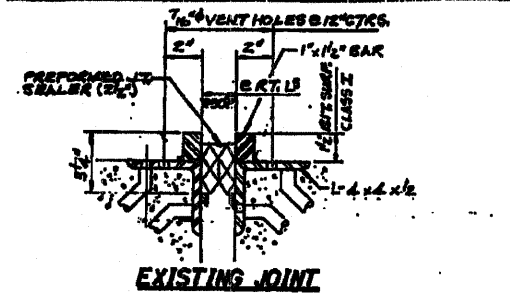


FOR INFORMATION ONLY

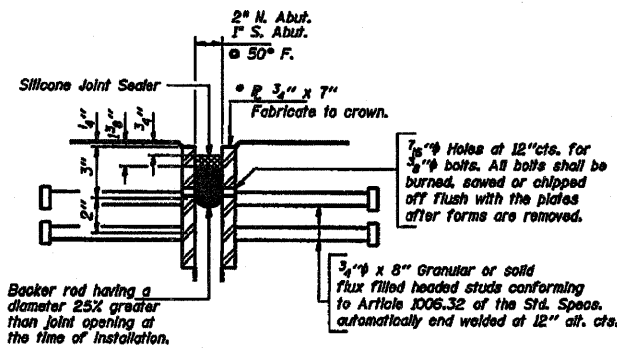
STATE OF ILLINOIS
DEPARTMENT OF TRANSPORTATION

PROJECT NO.	SECTION	COUNTY	TOTAL SHEETS	SHEET NO.
201-39	201-39B-1	Winnebago	11	8
PROJECT TITLE	ALIGNED	FIELD PROJECT		



Notes: Existing Reinforcement Bars shown are to be cleaned and incorporated into new construction.

JOINT RECONSTRUCTION



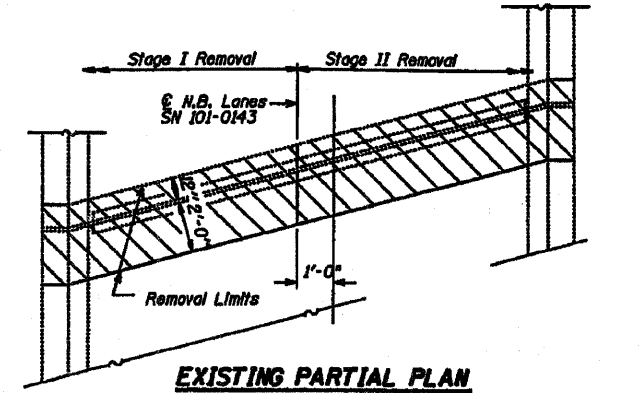
* Furnish in segments of 20 ft. maximum length. Maximum space between installed segments shall be 1/8\"/>

Notes: After fabrication all surfaces of the steel plates shall be given one shop coat of paint specified for Structural Steel. No field painting required.

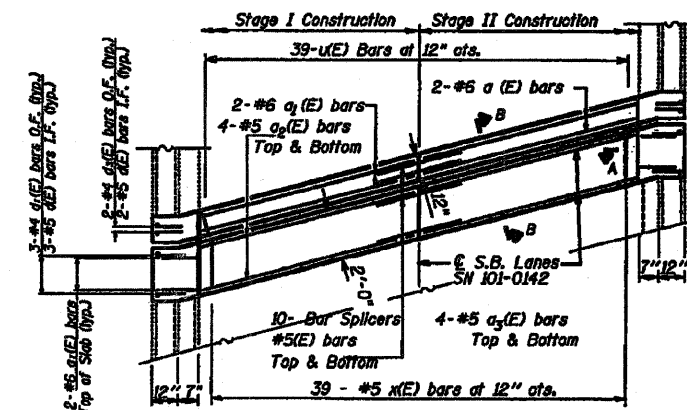
BILL OF MATERIAL

Bar	No.	Size	Length	Shape
a(E)	4	#6	21'-9"	
a ₁ (E)	4	#6	17'-5"	
a ₂ (E)	16	#5	17'-5"	
a ₃ (E)	16	#5	21'-9"	
a ₄ (E)	8	#6	4'-0"	
u(E)	78	#4	1'-7"	
d(E)	20	#5	4'-3"	
d ₁ (E)	12	#4	4'-6"	
d ₂ (E)	8	#4	2'-1"	
d ₃ (E)	8	#4	6'-0"	
x(E)	78	#5	2'-5"	
Item	Unit	Quantity		
Reinforcement Bars, Epoxy Coated	Pound	1390		
Concrete Superstructure	Cu. Yd.	8.3		
Concrete Removal	Cu. Yd.	8.6		
Furnishing and Erecting Structural Steel	Pound	3007		
Silicone Joint Sealer	Foot	168		
Bar Splacers	Each	20		
Polymer Concrete	Cu. Ft.	8.5		

Reinforcement bars designated (E) shall be epoxy coated.

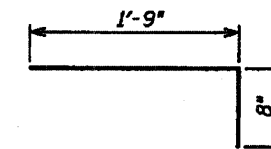


EXISTING PARTIAL PLAN



PROPOSED PARTIAL PLAN

For Section A-A and Section B-B See Next Sheet



BAR x(E)

JOINT REPLACEMENT DETAILS
F.A.I. RTE. 39 (I-39 & US51)
SECTION 201-39B-1
WINNEBAGO COUNTY
SN 101-0143

FILE NAME =	USER NAME = linkd	DESIGNED -	REVISED -
QBRYCADD plans\Winnebago County\1010143 & 0143\PLANeng.dgn		DRAWN -	REVISED -
		CHECKED -	REVISED -
		DATE -	REVISED -

PLOT SCALE = 50.0000' / IN.	
PLOT DATE = Tue Jan 20 14:24:49 2009	

STATE OF ILLINOIS
DEPARTMENT OF TRANSPORTATION

EXISTING BRIDGE PLANS

SCALE: _____ SHEET NO. ____ OF ____ SHEETS STA. _____ TO STA. _____

F.A.I. RTE.	SECTION	COUNTY	TOTAL SHEETS	SHEET NO.
39	(201-2)HBM-1	WINNEBAGO	11	8
			CONTRACT NO. 64E96	
ILLINOIS FED. AID PROJECT				