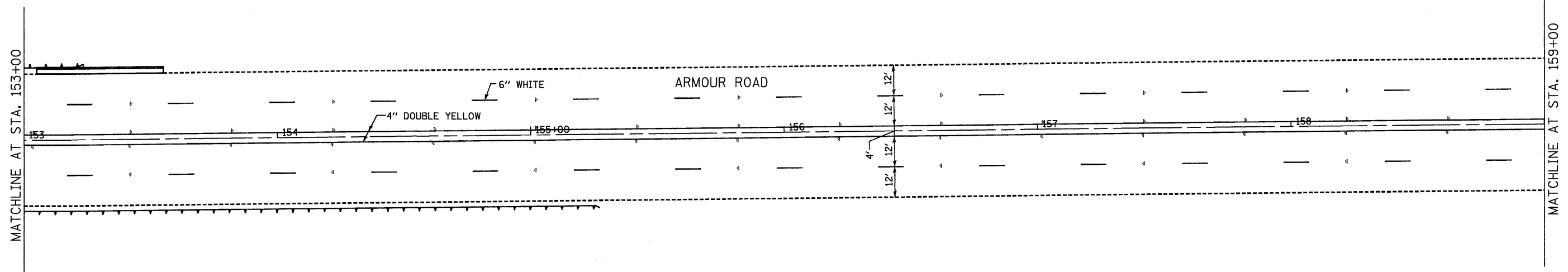
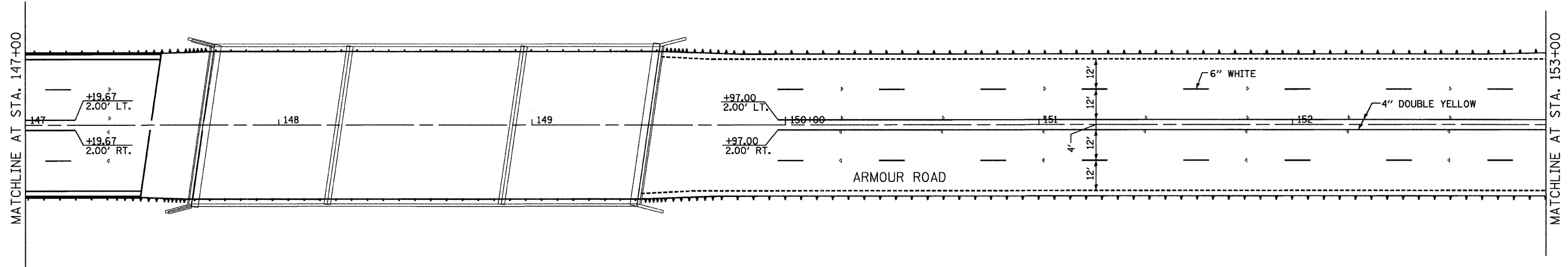
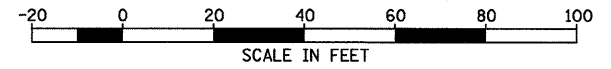


F.A. RTE.	SECTION	COUNTY	TOTAL SHEETS	SHEET NO.
*	**	KANKAKEE	109	51

STA. 147+00 TO STA. 159+00
 ILLINOIS FED. AID PROJECT
 • FAU ROUTE 6176 (ARMOUR ROAD)
 • SECTION (79)W&RS & 14ORS



PLOT DATE = 12/06
 FILE NAME = Z64380PM147-159.DGN
 USER NAME = APR