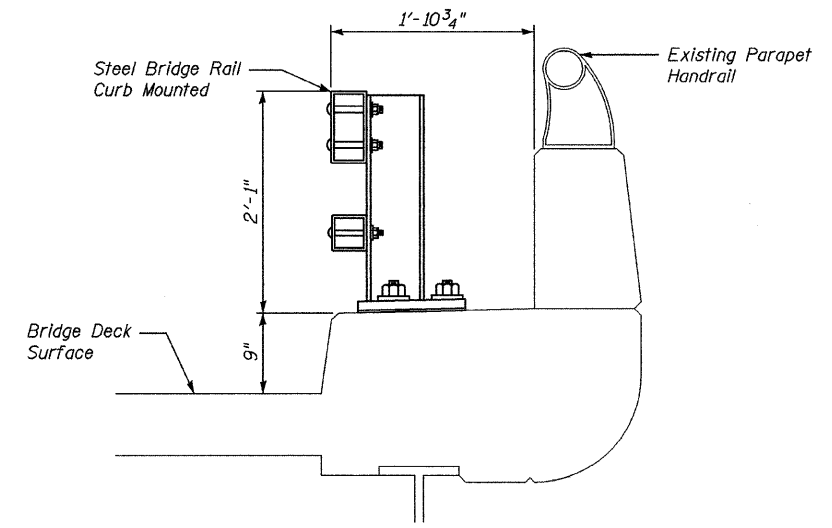
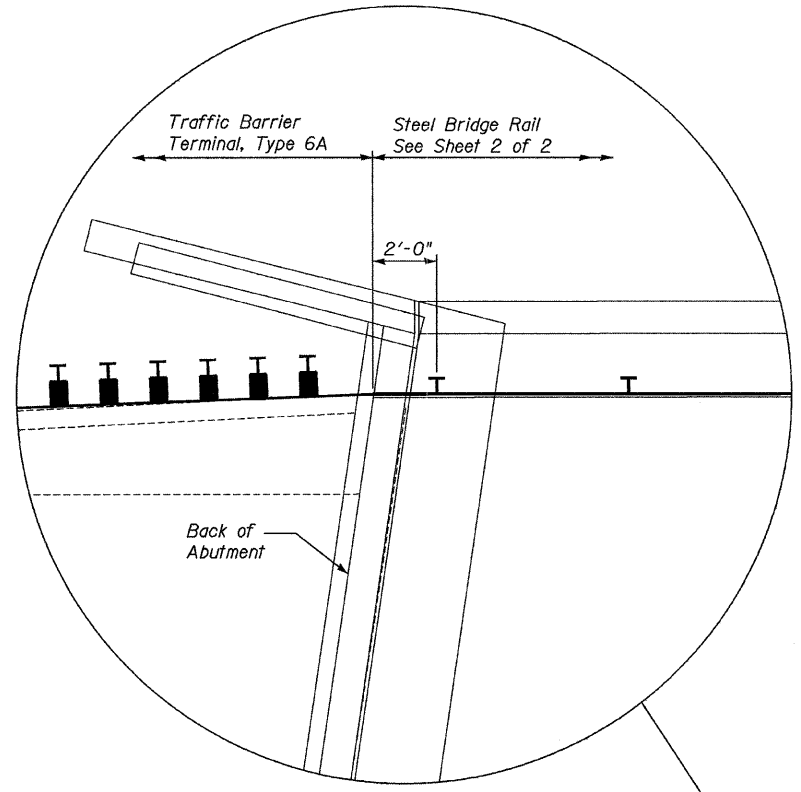


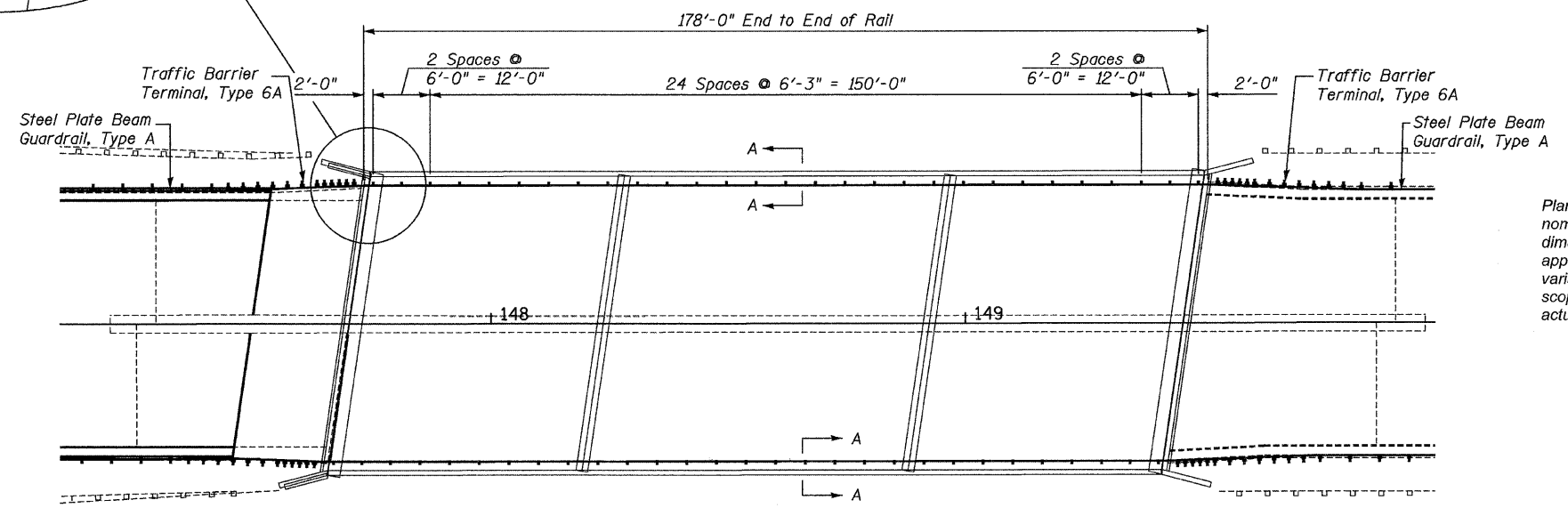
STATE OF ILLINOIS
DEPARTMENT OF TRANSPORTATION

ROUTE NO.	SECTION	COUNTY	TOTAL SHEETS	SHEET NO.	SHEET NO. 1
F.A.U. 6176	(79) W&RS & 140RS	KANKAKEE	109	66	2 SHEETS
FED. ROAD DIST. NO. 7	ILLINOIS	FED. AID PROJECT-			

Contract # 66560



SECTION A-A



Plan dimensions and details relative to existing plans are subject to nominal construction variations. The Contractor shall field verify existing dimensions and details affecting new construction and make necessary approved adjustments prior to construction or ordering of materials. Such variations shall not be cause for additional compensation for a change in scope of the work, however, the Contractor will be paid for the quantity actually furnished based at the unit price bid for the work.

PLAN

Note: Rail post spacing for south curb similar



DESIGNED	JKC
CHECKED	JDA
DRAWN	ARR
CHECKED	JKC

3/10/09
date

JAMES K. CLINARD
LICENSED STRUCTURAL ENGINEER
NO. 081-004655
STATE OF ILLINOIS
expires 11-30-2010

[Signature]
signature

PROFESSIONAL DESIGN FIRM
LICENSE NO. 184-001717

BRIDGE RAIL DETAILS
SN 046-0063
SECTION (79)W&RS & 140RS
KANKAKEE COUNTY