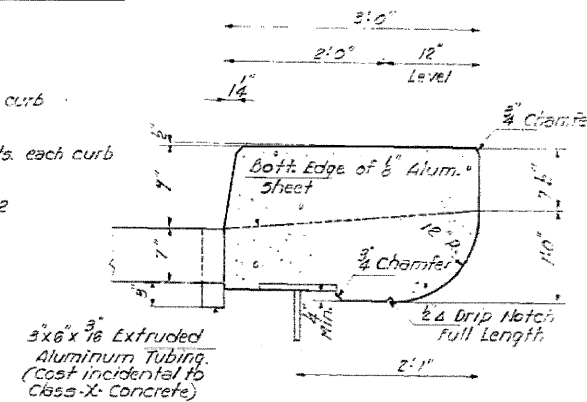
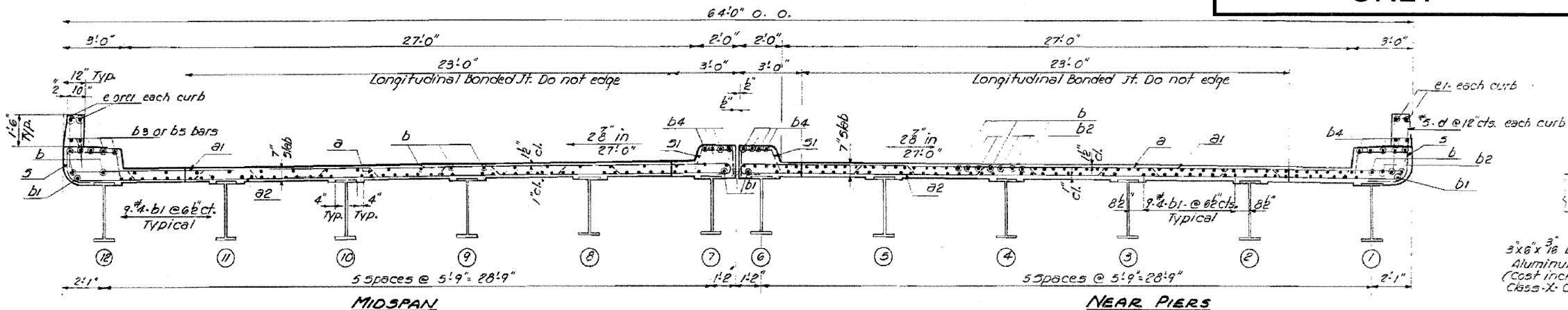


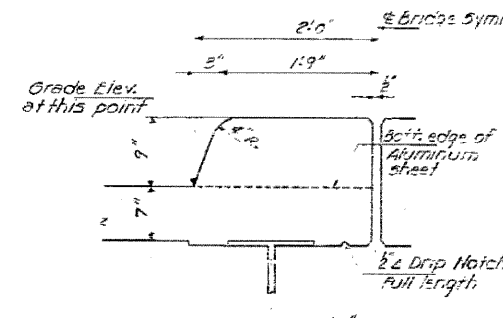
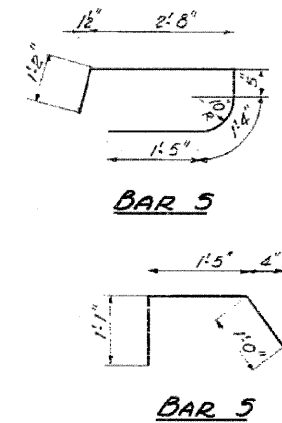
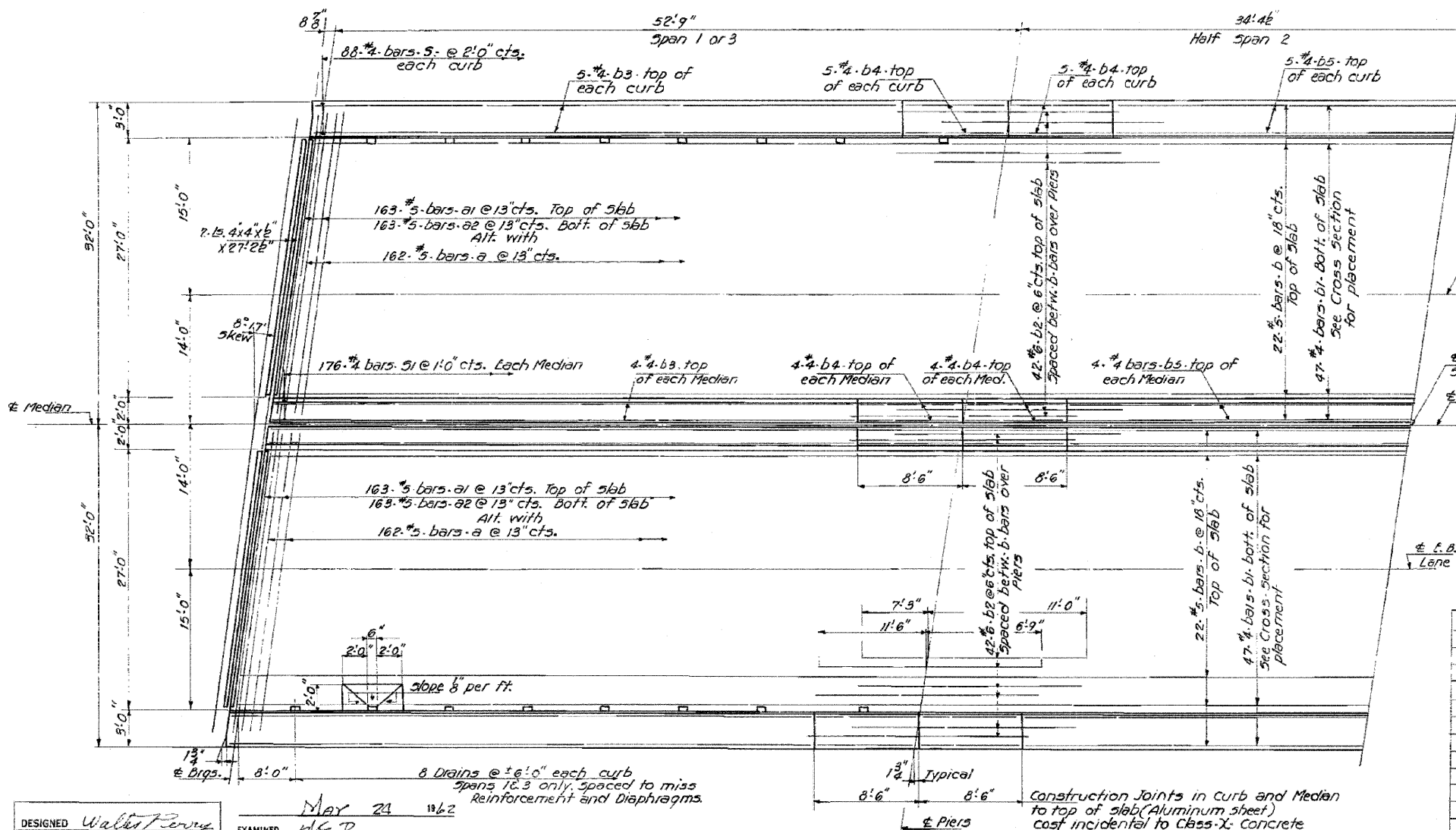
STATE OF ILLINOIS
DEPARTMENT OF PUBLIC WORKS & BUILDINGS
DIVISION OF HIGHWAYS

FOR INFORMATION
ONLY

| | | | | |
|----------------------------|---------|----------|--------------|-------|
| ROUTE NO. | SECTION | COUNTY | TOTAL SHEETS | SHEET |
| 143 | 135 | Kankakee | 10 | 2 |
| SHEET NO. 2 OF SHEETS 8 | | | | |



CURB DETAIL



MEDIAN DETAIL

BILL OF MATERIAL

| Bar | No. | Size | Length | Shape |
|-----|-----|------|--------|-------|
| a | 324 | #5 | 33'3" | U |
| a1 | 326 | #5 | 32'0" | U |
| a2 | 326 | #5 | 31'0" | U |
| d | 352 | #5 | 5'3" | U |
| b | 352 | #5 | 23'3" | — |
| b1 | 752 | #4 | 23'0" | — |
| b2 | 168 | #6 | 16'3" | — |
| b3 | 72 | #4 | 23'0" | — |
| b4 | 72 | #4 | 6'3" | — |
| b5 | 36 | #4 | 26'3" | — |
| s | 176 | #4 | 7'0" | U |
| s1 | 352 | #4 | 3'6" | U |

Class-X Concrete Cu.Yds. 312.1
Reinforcement Bars Lbs. 83,960
Structural Steel Lbs. 30,400

Note: Bill of Material includes Reinf. Quantity for Parapet Handrail. See Sheet 4

SUPERSTRUCTURE
F.A.S. RT. 1305-SEC. 799-V(C.B.F.)
KANKAKEE COUNTY
STATION 148+43.23

DESIGNED *Walter Perry*
CHECKED *H. G. Russell*
DRAWN *W.P. Miller*
CHECKED *M.R.*

EXAMINED *H. G. Baumann*
PASSED *[Signature]*
APPROVED *[Signature]*

May 24 1962
ENGINEER OF BRIDGE AND TRAFFIC STRUCTURES
ENGINEER OF DESIGN
CHIEF HIGHWAY ENGINEER

HALF PLAN

All Aluminum sheets shall conform to A.S.T.M. specifications: B 209-58 T alloy M1A-H14
All Aluminum tubing shall conform to A.S.T.M. specifications: B 221-58 r Alloy G5 10A-T 42

Construction Joints in Curb and Median to top of slab (Aluminum sheet) cost incidental to Class-X Concrete