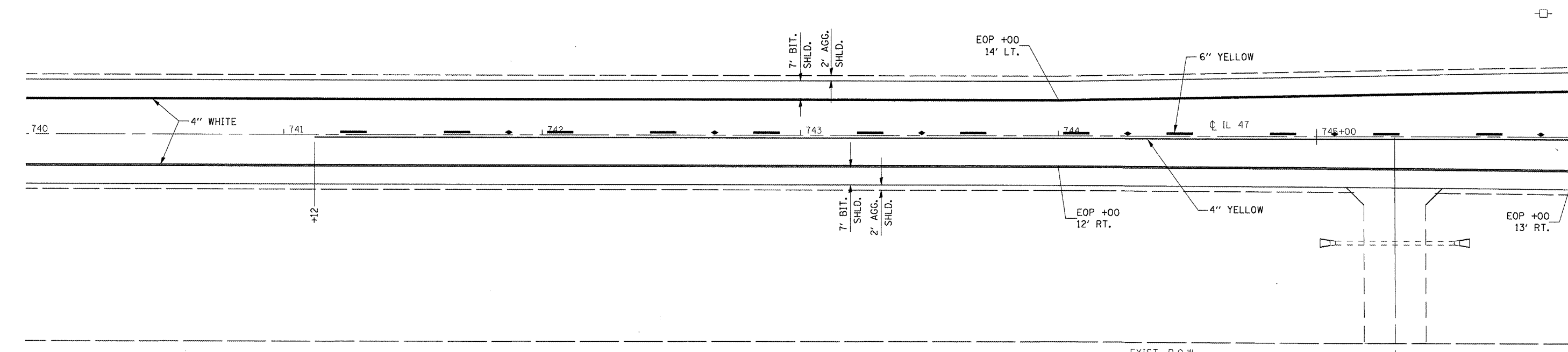


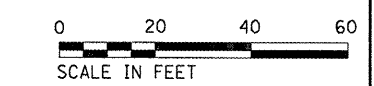


EXIST. R.O.W.

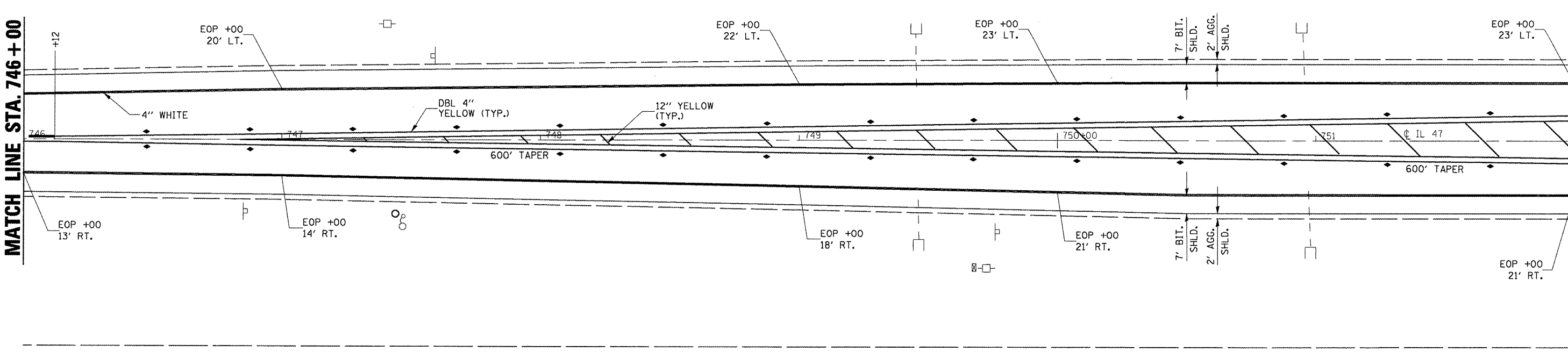


MATCH LINE STA. 746 + 00

EXIST. R.O.W.



EXIST. R.O.W.



MATCH LINE STA. 746 + 00

MATCH LINE STA. 752 + 00

EXIST. R.O.W.

**STATE OF ILLINOIS
DEPARTMENT OF TRANSPORTATION**

PAVEMENT MARKING

FILE NAME =	USER NAME = corcoranlm	DESIGNED -	REVISED -
cs:\pwwork\pwwork\corcoranlm\d0119033\d0119033	66753-shr-20PLN.DGN	DRAWN -	REVISED -
	PLOT SCALE = 48.0000' / IN.	CHECKED -	REVISED -
	PLOT DATE = Feb 18, 2009 - 11:53:04 AM	DATE -	REVISED -

F.A.P. RTE.	SECTION	COUNTY	TOTAL SHEETS	SHEET NO.
326	119,120,121,122,123/RS-3	GRU & LIV	36	24
CONTRACT NO. 66753			ILLINOIS FED. AID PROJECT	

SCALE: SHEET NO. OF SHEETS STA. 740+00 TO STA. 752+00