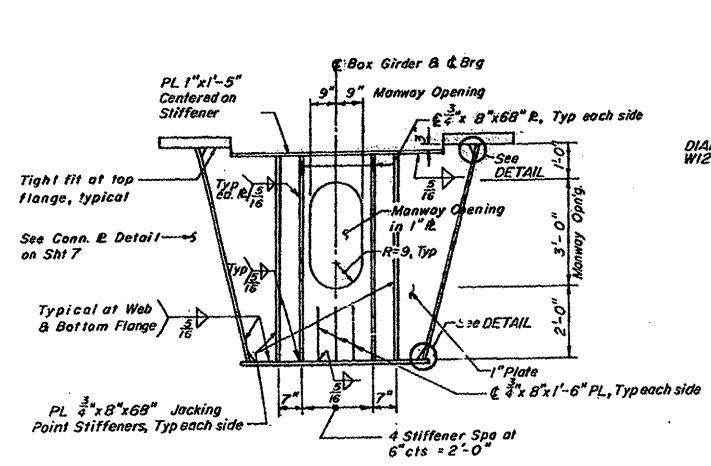


# INFORMATION ONLY

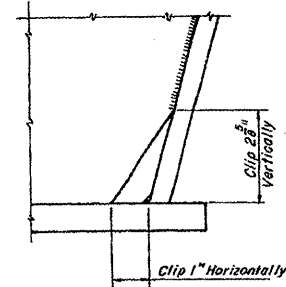
## TWIN 72" WEB, 3 SIDED BOX GIRDER TO BE PAINTED

ROUTE	SECTION	COUNTY	TOTAL SHEETS	SHEET NO.
VARIOUS	D4 BRIDGE PAINTING 09	TAZEWELL	12	8

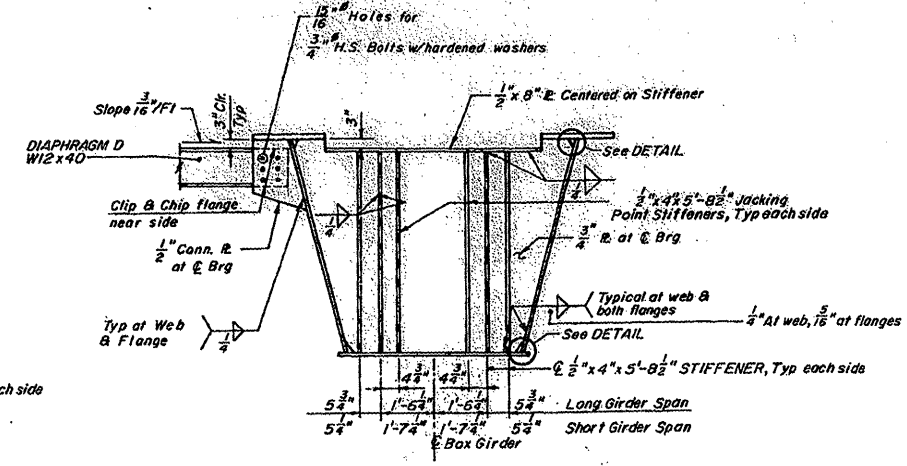


**PIER BEARING STIFFENER**

MILL ALL STIFFENERS TO BEAR ON BOTTOM FLANGE.

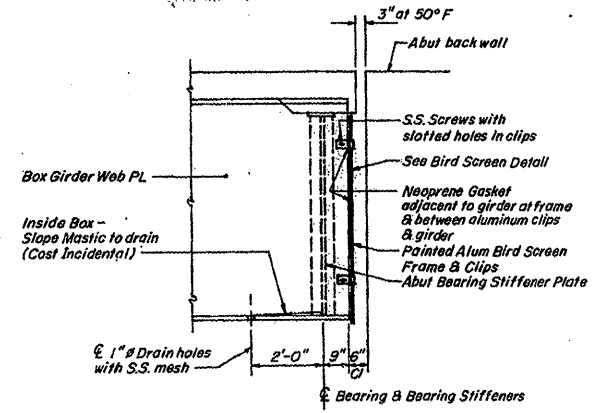


**STIFFENER DETAIL AT FLANGE TO WEB WELD**

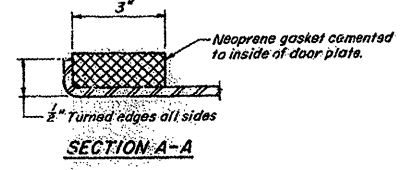


**ABUTMENT BEARING STIFFENER & DIAPHRAGM**

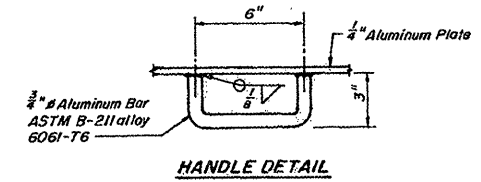
MILL ALL STIFFENERS TO BEAR ON BOTTOM FLANGE.



**SECTION B-B**

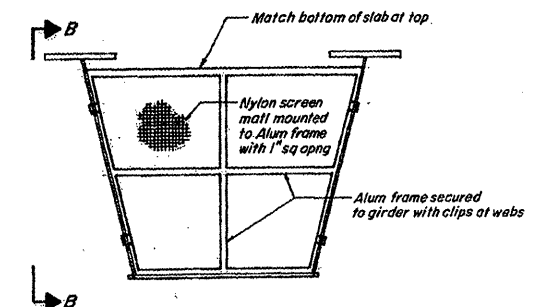


**SECTION A-A**

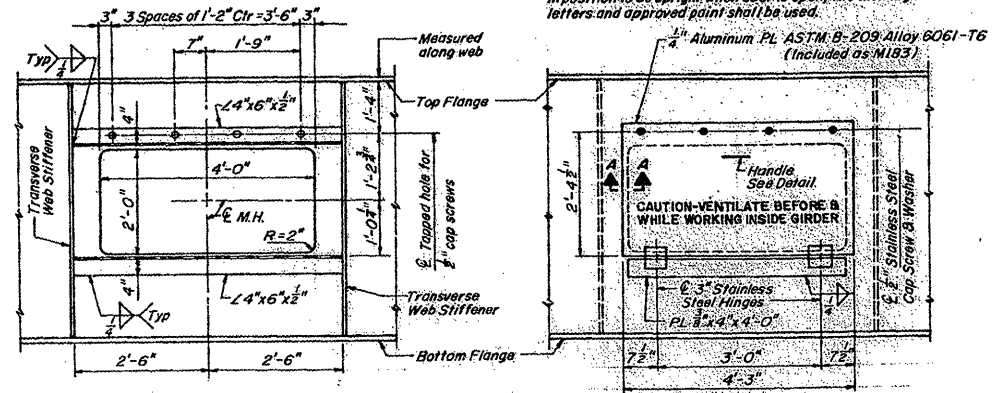


**HANDLE DETAIL**

**NOTES:**  
The exterior surface of the aluminum access doors shall be cleaned and given a washcoat pretreatment in accordance with the Steel Structures Painting Councils Specifications SSPC-SP1 and SSPC-PT3 followed by the painting specified for structural steel.  
Warning Note shall be stenciled on inside surface of door in position to be upright when door is open, two inch high letters and approved paint shall be used.



**END OF GIRDER BIRD SCREEN**  
(Cost of Bird Screen, Frame & Mounting is included as M183)



**INSIDE VIEW**

**OUTSIDE VIEW**

**DETAIL OF MANHOLE**

**090-0131**

**STEEL  
DETAIL**