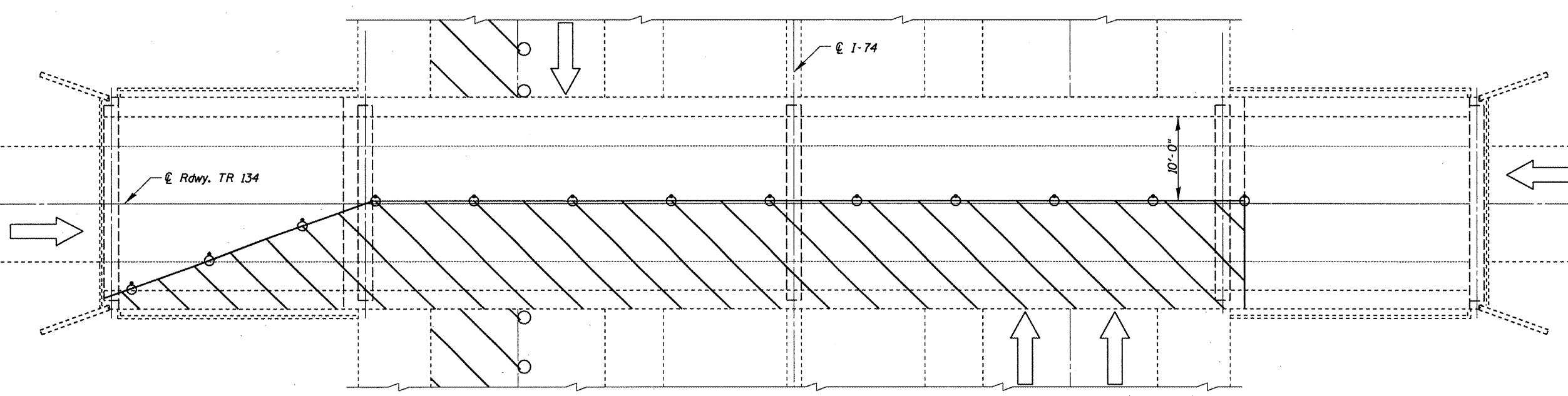


TRAFFIC CONTROL
(Stage I)

- SYMBOLS**
- Work Area
 - Cone, Drum, or Barricade
 - Traffic
 - Drum w/steady burn light



TRAFFIC CONTROL
(Stage II)

Note:
Refer to Highway Standard 701201, 701316 and 701406 for exact placement of traffic management devices and other clarifications as construction staging symbols and dimensioning were duplicated off of these standards.

SN. 102-0034
TR134over I-74

FILE NAME =
D468854-sht-cover.dgn

USER NAME = jonesce	DESIGNED - CEJ	REVISED - ---
	DRAWN - CEJ	REVISED - ---
PLOT SCALE = 1/32" = 1' / IN.	CHECKED - ---	REVISED - ---
PLOT DATE = 1/16/2009	DATE - -----	REVISED - ---

STATE OF ILLINOIS
DEPARTMENT OF TRANSPORTATION

PROPOSED TRAFFIC CONTROL

SCALE: _____ SHEET NO. ___ OF ___ SHEETS STA. _____ TO STA. _____

F.A.I. RTE. 74	SECTION (X3-17HB11-2)	COUNTY WOODFORD	TOTAL SHEETS 11	SHEET NO. 8
BEAM REPAIRS			CONTRACT NO. 68854	
FED. ROAD DIST. NO. 4 ILLINOIS FED. AID PROJECT				