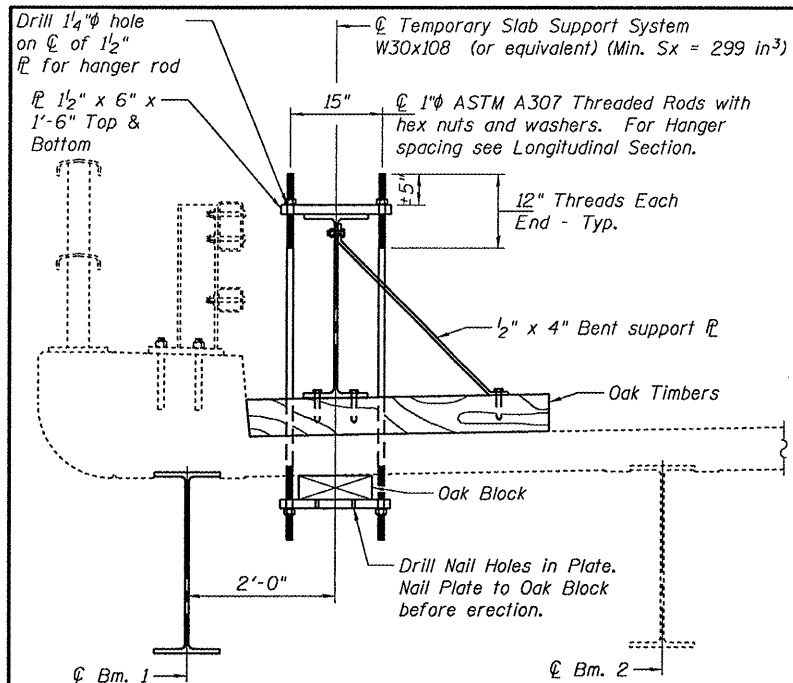


STATE OF ILLINOIS  
DEPARTMENT OF TRANSPORTATION

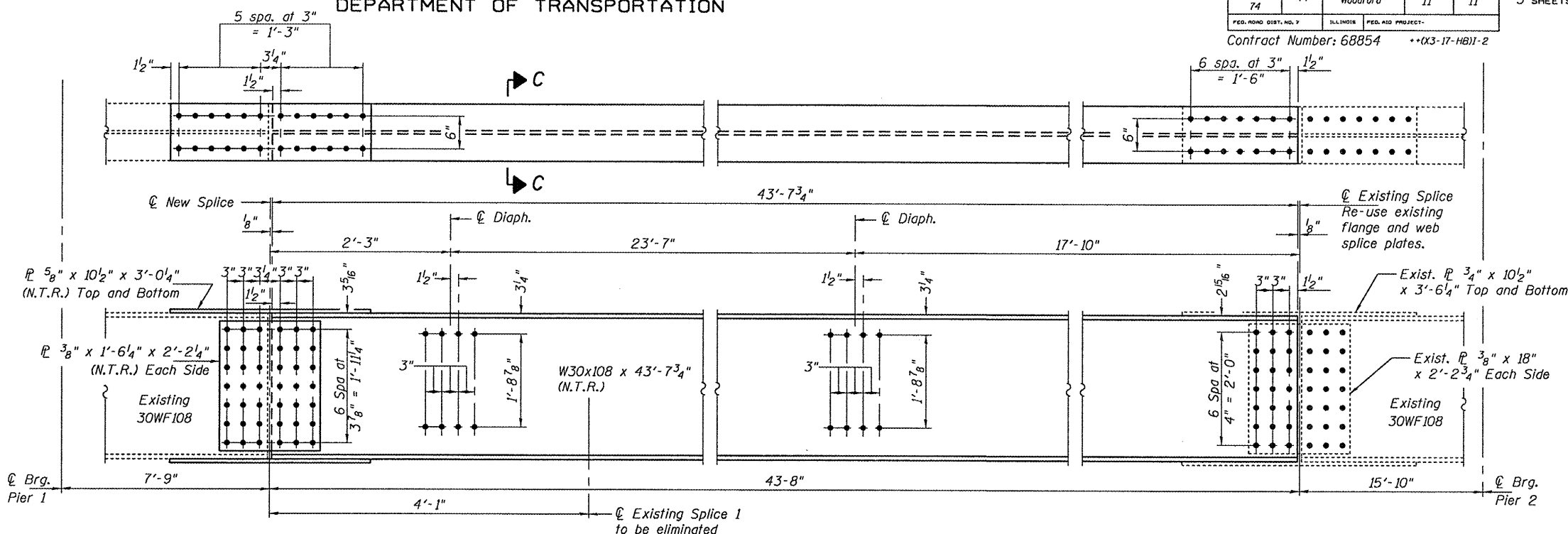
ROUTE NO.	SECTION	COUNTY	INSTR. NO.	SHEET NO.
FAI 74	**	Woodford	11	11
FED. ROAD DIST. NO. 7 ILLINOIS FED. AID PROJECT				
Contract Number: 68854 **03-17-HB11-2				

SHEET NO. 3  
3 SHEETS

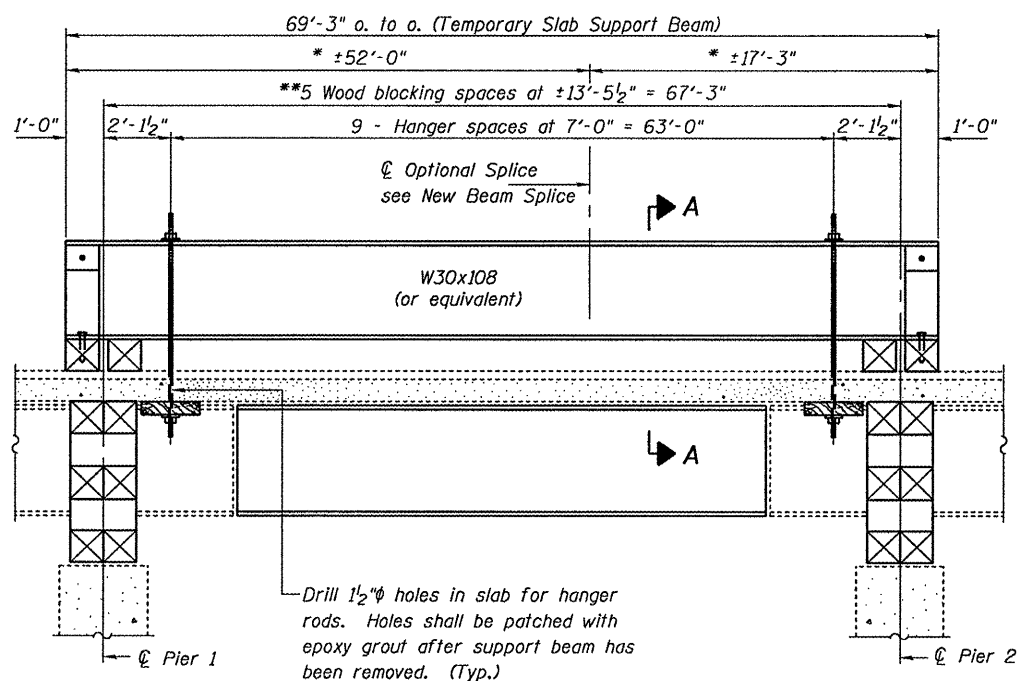


SECTION A-A

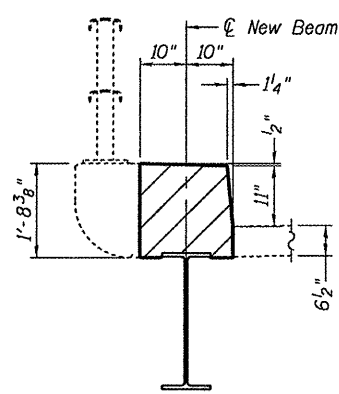
\* These dimensions may vary for available beams in stock.  
\*\* Wood blocking between piers to be placed after support beam deflects under its own weight.



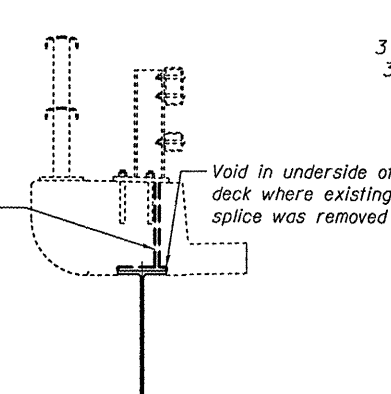
ELEVATION BEAM 1



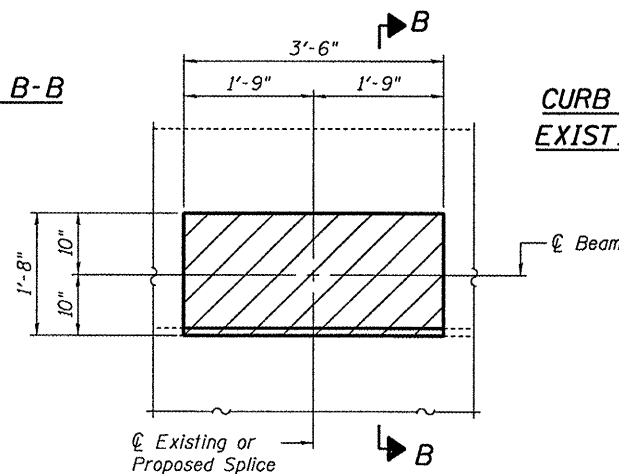
LONGITUDINAL SECTION  
SUGGESTED TEMPORARY SLAB SUPPORT SYSTEM



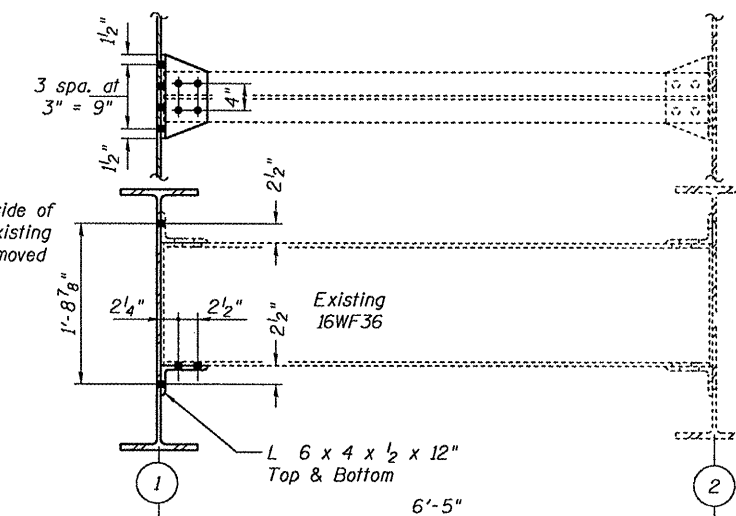
SECTION B-B



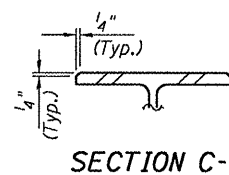
CURB SECTION AT  
EXISTING SPLICE 1



TYPICAL CONCRETE REMOVAL  
AND REPLACEMENT



CLIP ANGLE REPLACEMENT DETAIL  
Use holes in existing diaphragm as a  
template to field drill new clip angles.



SECTION C-C

BEAM REPLACEMENT DETAILS  
F.A.I. RT. 74  
WOODFORD COUNTY  
SN 102-0034

DESIGNED	V.H.V.
CHECKED	D.A.B.
DRAWN	Drew Christopher
CHECKED	V.H.V. D.A.B.

March 9, 2009  
EXAMINED *A. Carl Hoover*  
ENGINEER OF STRUCTURAL SERVICES  
PASSED *Ralph E. Anderson*  
ENGINEER OF BRIDGES AND STRUCTURES

REP-2 1-27-2000