
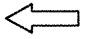


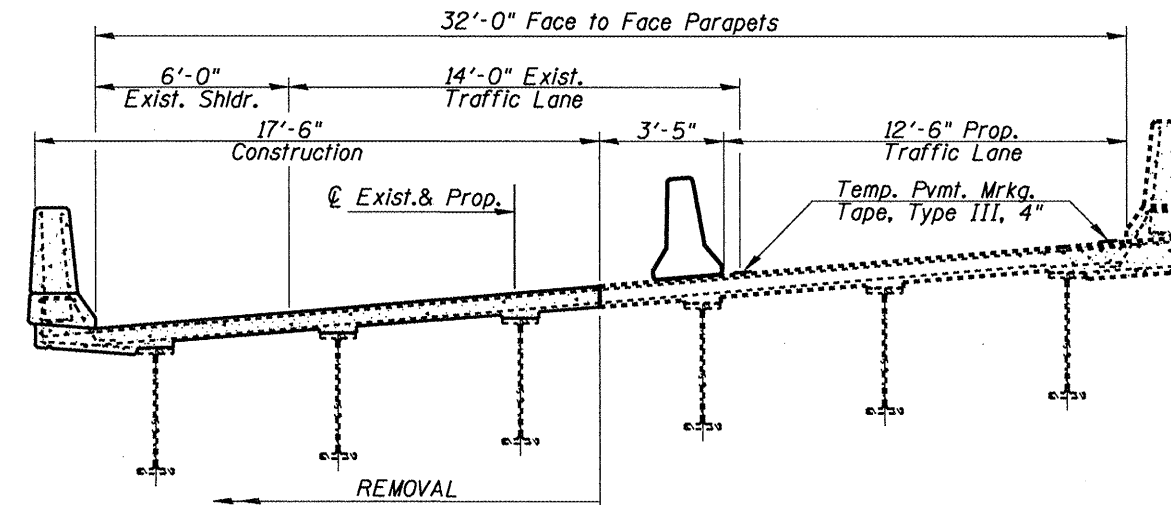
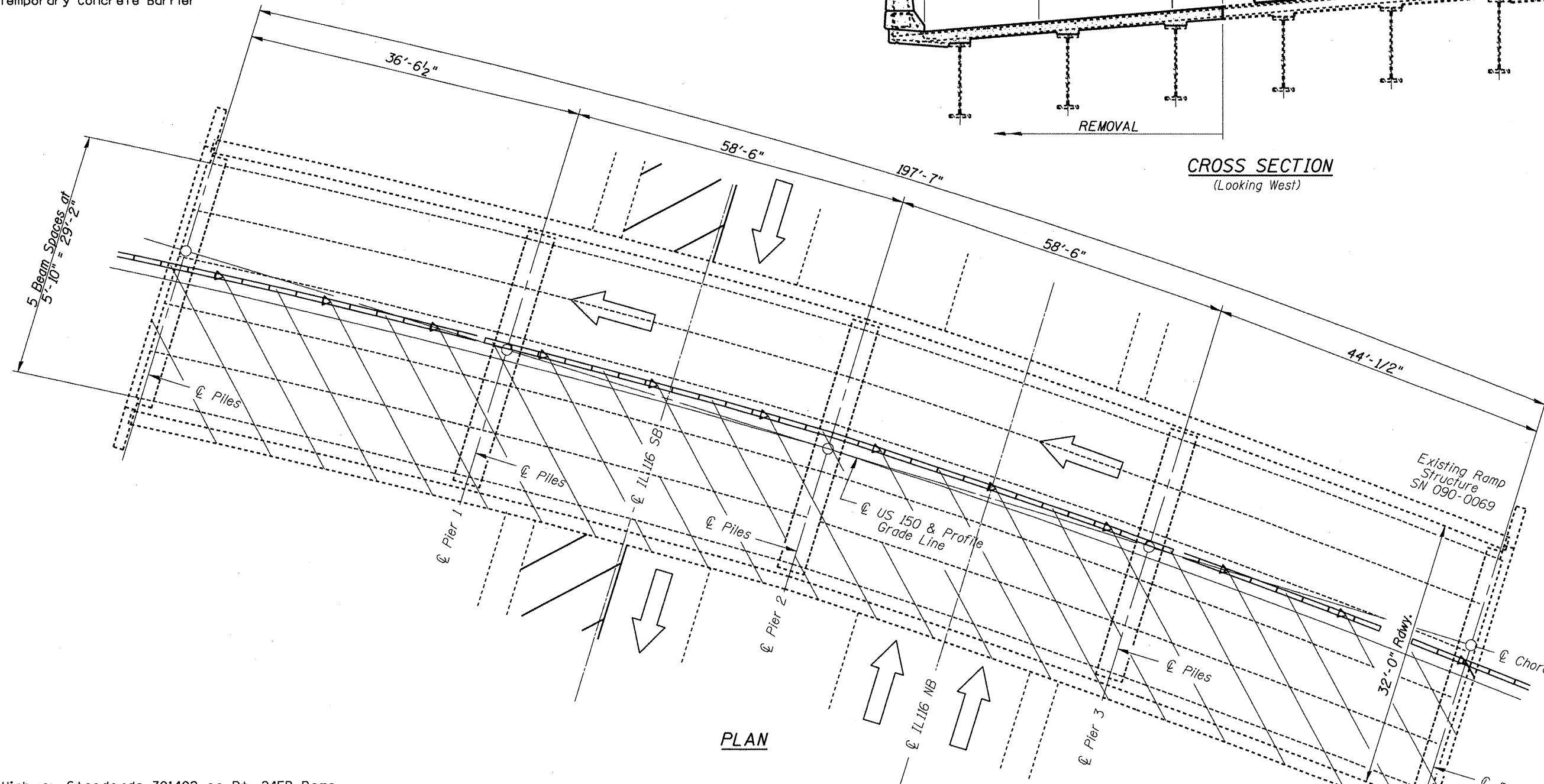


SYMBOLS

-  Work Area
-  Traffic Direction Indicator
-  Type C Monodirectional Reflector
-  Temporary Concrete Barrier



CROSS SECTION
(Looking West)



PLAN

NOTE:
Refer to Highway Standards 701402 on Rt. 24EB Ramp and 701406 on Rt. 116SB for exact placement of traffic management devices and other clarifications as construction staging symbols and dimensioning were duplicated off of these standards.

SN.090-0069 NB. IL.116
Ramp over SB. IL.116

FILE NAME = SN090-0069 (2).dgn	USER NAME = jonesco	DESIGNED - CEJ	REVISED - ---
		DRAWN - CEJ	REVISED - ---
	PLOT SCALE = 104.1538 / IN.	CHECKED - ---	REVISED - ---
	PLOT DATE = 2/2/2009	DATE - ---	REVISED - ---

**STATE OF ILLINOIS
DEPARTMENT OF TRANSPORTATION**

PROPOSED TRAFFIC CONTROL	
SCALE: _____	SHEET NO. ____ OF ____ SHEETS
STA. _____	TO STA. _____

F.A.P. RTE. 673	SECTION (102-HB-21)-2	COUNTY TAEWELL	TOTAL SHEETS 17	SHEET NO. 9
STEEL BEAM REPAIRS			CONTRACT NO. 68857	
FED. ROAD DIST. NO. 4 ILLINOIS FED. AID PROJECT				