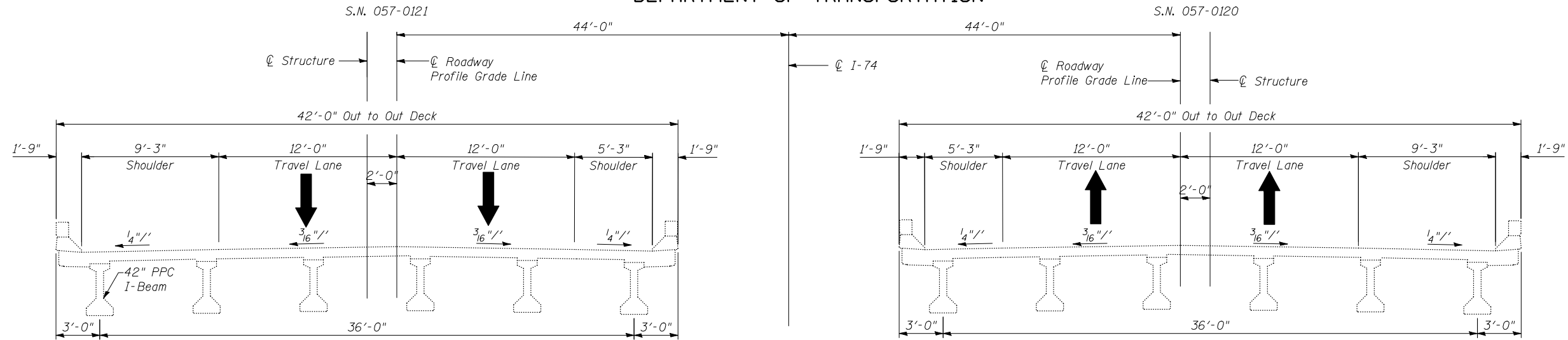
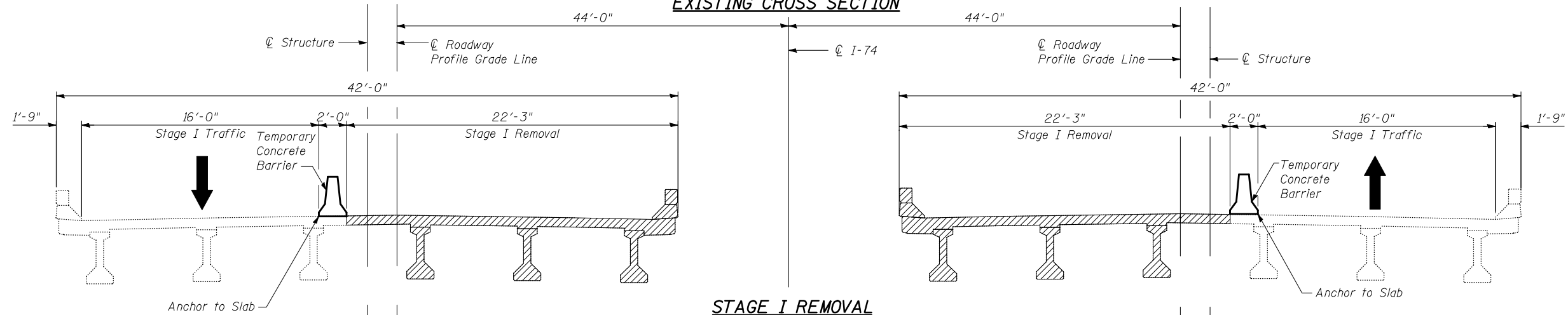


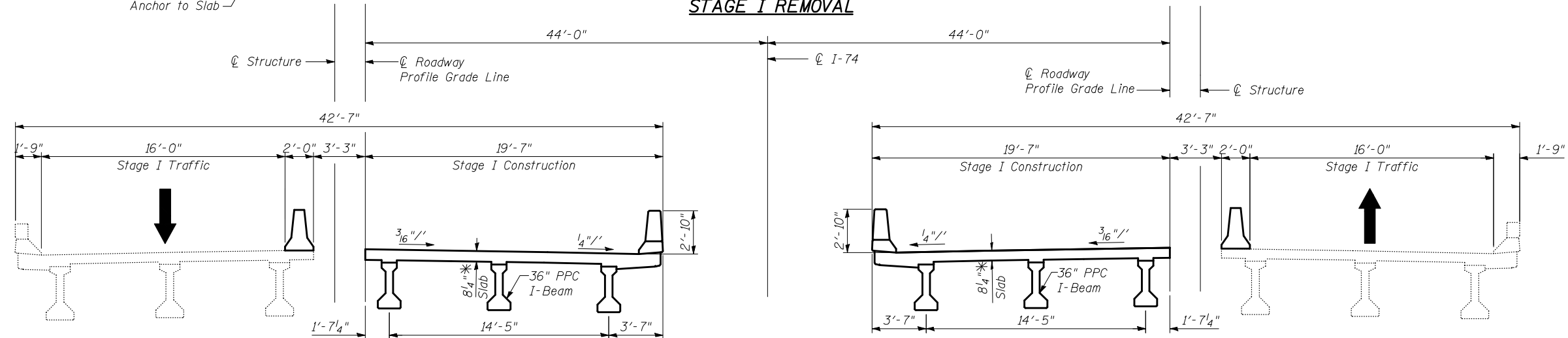
STATE OF ILLINOIS
DEPARTMENT OF TRANSPORTATION



EXISTING CROSS SECTION

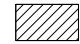
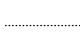



STAGE I REMOVAL



STAGE I CONSTRUCTION

LEGEND

-  Removal of Existing Superstructures
-  Existing
-  Proposed

Note:
All staging cross sections are looking East.
Removal of the Existing Diaphragms is included in Removal of Existing Superstructures.

*Prior to grinding

**STAGE CONSTRUCTION DETAILS
I-74 OVER LITTLE KICKAPOO CREEK
STRUCTURE NO. 057-0120
AND 057-0121**

STRAND ASSOCIATES, INC.

DESIGNED	RRD
CHECKED	AJS
DRAWN	KAS
CHECKED	JAR

SHEET NO. 3 27 SHEETS	F.A.I. RTE. 74	SECTION (57-21B)BR	COUNTY MCLEAN	TOTAL SHEETS 61	SHEET NO. 15
	STAGE CONSTRUCTION (1 OF 2)		CONTRACT NO. 70641		
FED. ROAD DIST. NO. 7 ILLINOIS FED. AID PROJECT					