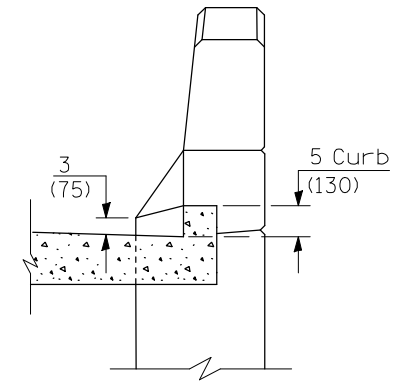
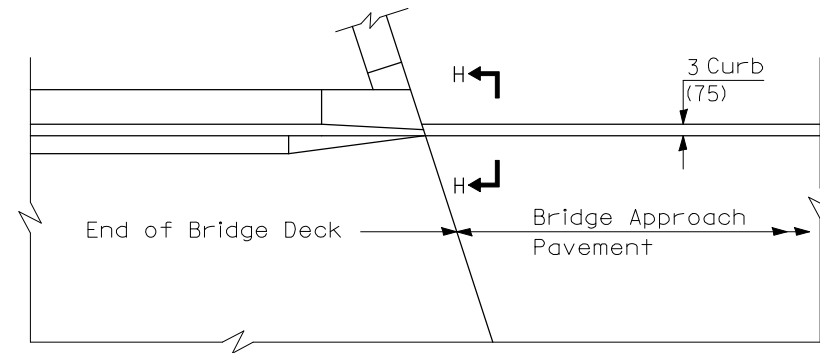


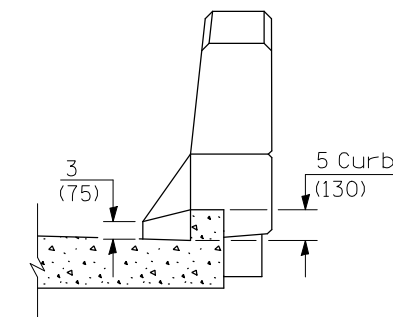
PARAPET TO CURB TRANSITION  
PILE BENT ABUTMENT



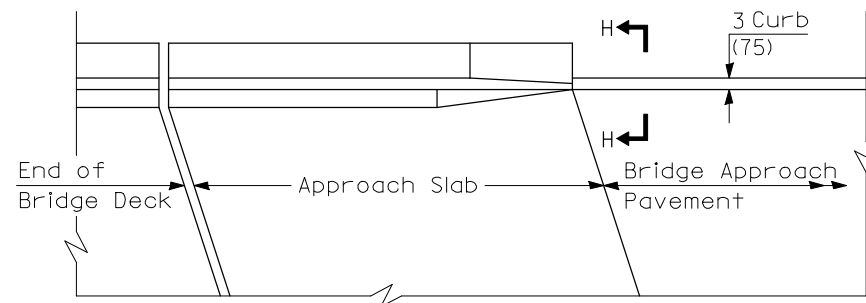
SECTION I - I



PARAPET TO CURB TRANSITION  
INTEGRAL ABUTMENT



SECTION H - H



PARAPET TO CURB TRANSITION  
VAULTED ABUTMENT

| SCALE:                    |  | SHEET NO. 4 OF 4 SHEETS |  | STA. TO STA. |  | F.A.I. RTE. | SECTION    | COUNTY             | TOTAL SHEETS | SHEET NO. |
|---------------------------|--|-------------------------|--|--------------|--|-------------|------------|--------------------|--------------|-----------|
|                           |  |                         |  |              |  | 74          | (57-21B)BR | MCLEAN             | 61           | 43        |
|                           |  |                         |  |              |  |             |            | CONTRACT NO. 70641 |              |           |
| ILLINOIS FED. AID PROJECT |  |                         |  |              |  |             |            |                    |              |           |

**BRIDGE APPROACH PAVEMENT DETAIL**