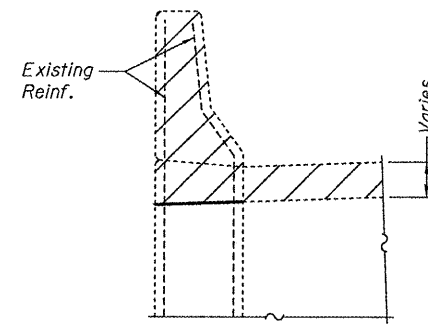
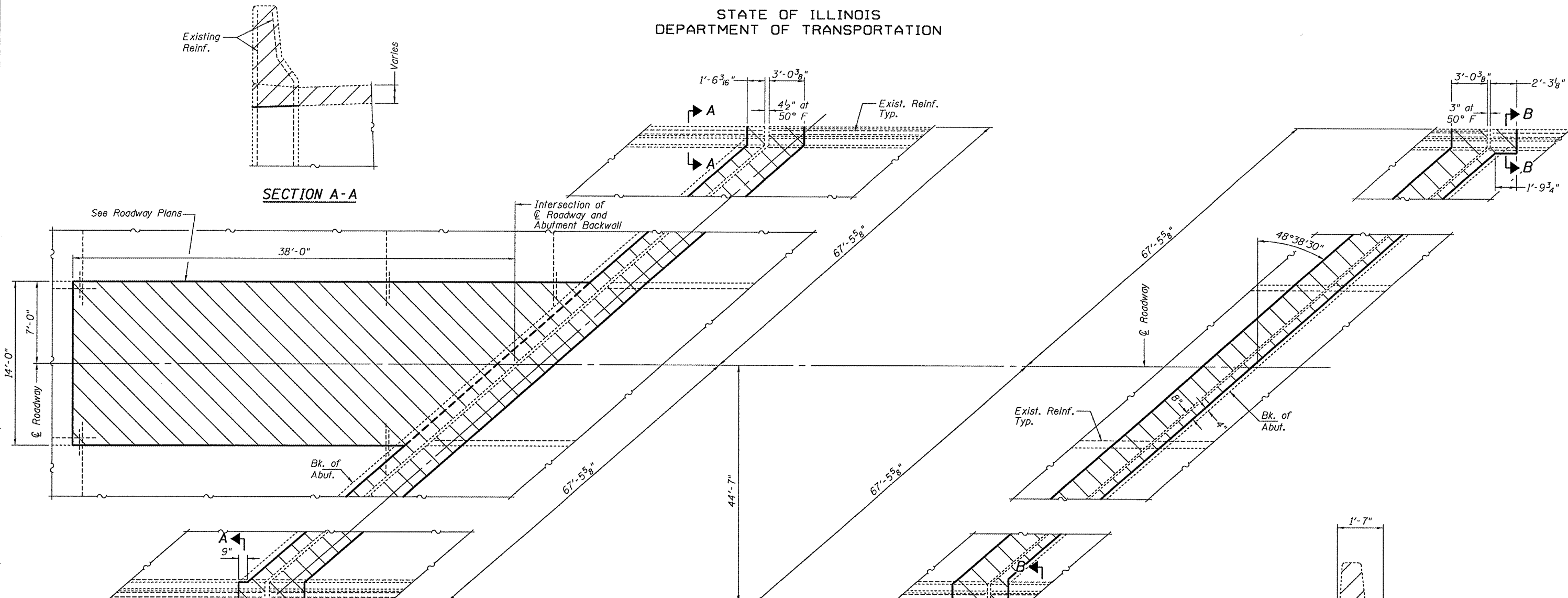
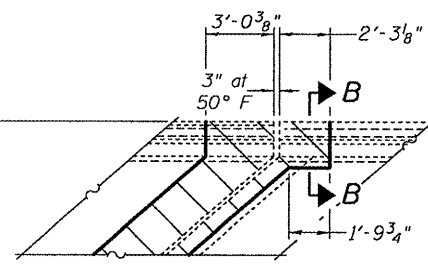


STATE OF ILLINOIS  
DEPARTMENT OF TRANSPORTATION



SECTION A-A

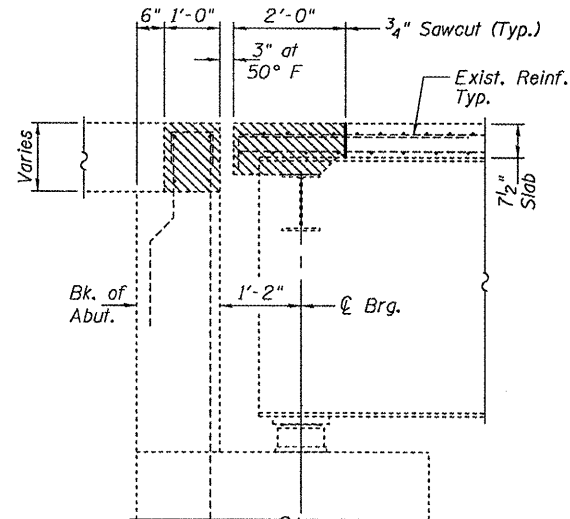


SECTION B-B

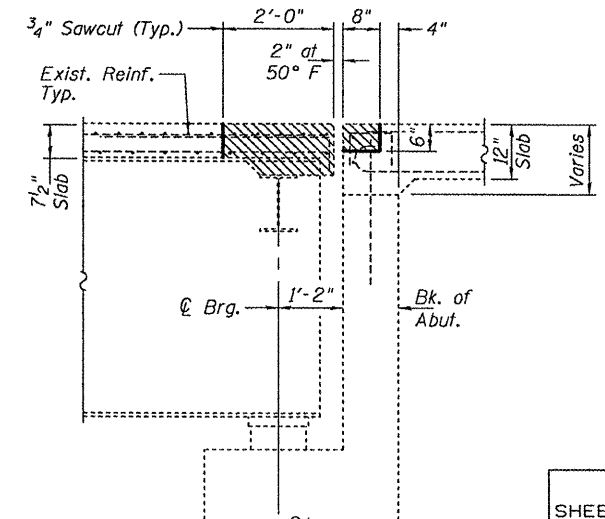
SOUTH ABUTMENT  
PARTIAL REMOVAL PLAN

NORTH ABUTMENT  
PARTIAL REMOVAL PLAN

Hatched area indicates area of concrete removal.  
See Sheet 1 of 6 for staging.



TYPICAL SOUTH ABUTMENT SECTION  
(Dimensions shown at Rt. L to backwall)



TYPICAL NORTH ABUTMENT SECTION  
(Dimensions shown at Rt. L to backwall)

SLAB REMOVAL DETAILS  
SN 057-0202

DESIGNED	G.G.E.
CHECKED	A.T.H.
DRAWN	Drew Christopher
CHECKED	G.G.E. A.T.H.

March 9, 2009  
EXAMINED *A. Carl Pomy*  
ENGINEER OF STRUCTURAL SERVICES  
PASSED *Ralph E. Anderson*  
ENGINEER OF BRIDGES AND STRUCTURES

SHEET NO. 2 6 SHEETS	F.A.P. RTE. 676	SECTION (9-1)BJR	COUNTY McLEAN	TOTAL SHEETS 17	SHEET NO. 13
	FED. ROAD DIST. NO. ILLINOIS FED. AID PROJECT			CONTRACT NO. 70731	