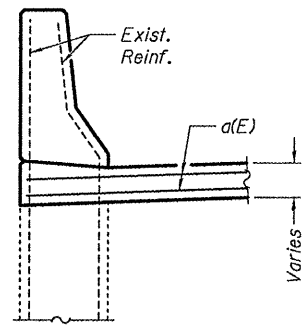
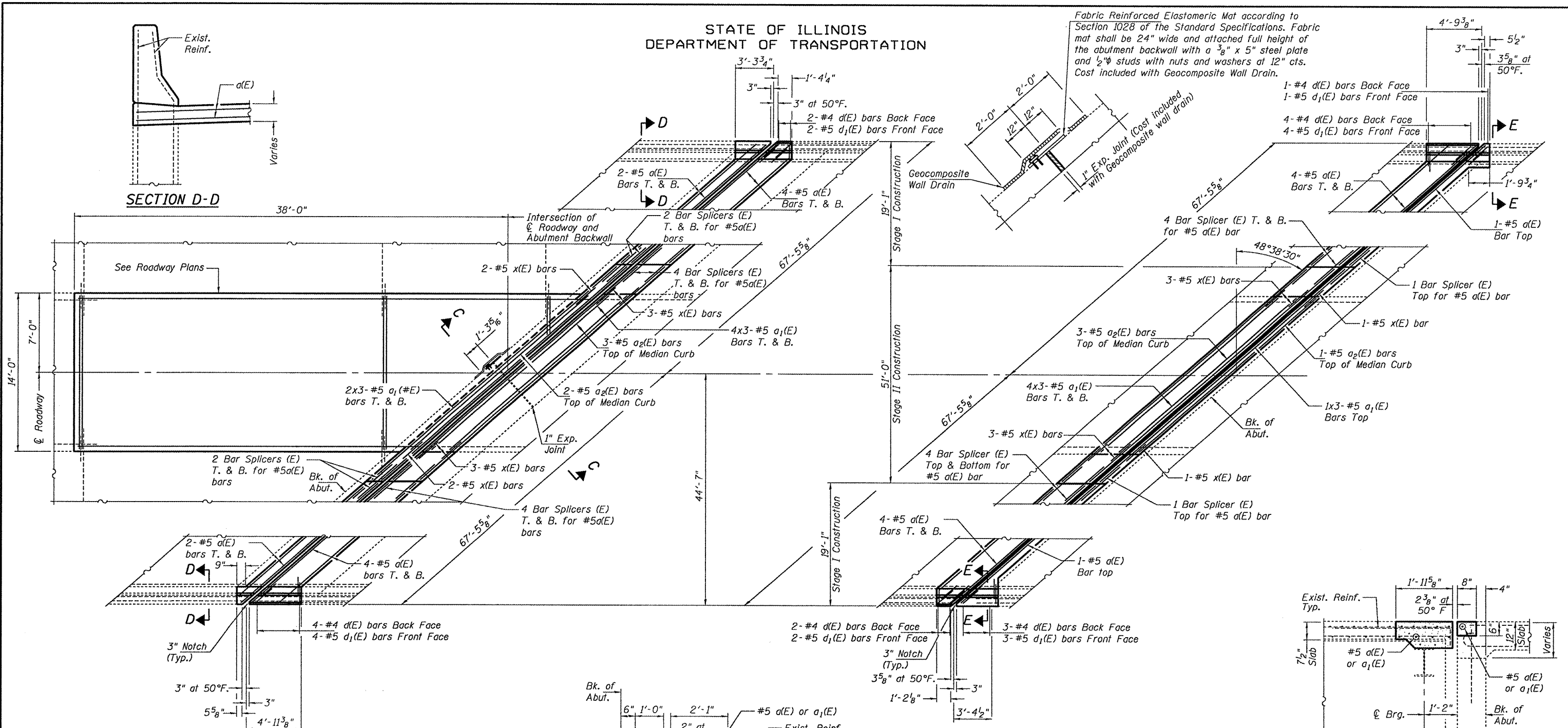


STATE OF ILLINOIS
DEPARTMENT OF TRANSPORTATION

Fabric Reinforced Elastomeric Mat according to Section 1028 of the Standard Specifications. Fabric mat shall be 24" wide and attached full height of the abutment backwall with a 3/8" x 5" steel plate and 1/2" studs with nuts and washers at 12" cts. Cost included with Geocomposite Wall Drain.

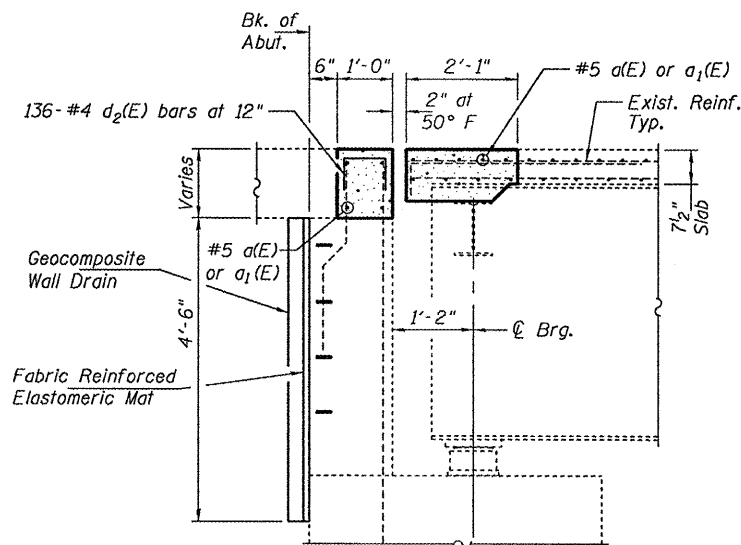


SECTION D-D



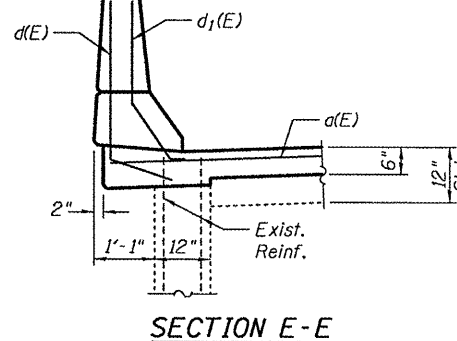
**SOUTH ABUTMENT
PARTIAL PLAN**

Dimensions for South Abutment are based on a rolled rail strip seal joint. If the contractor elects to use the welded rail strip seal joint, deck dimensions may require adjustments to satisfy the details on base sheet EJ-SSJ.



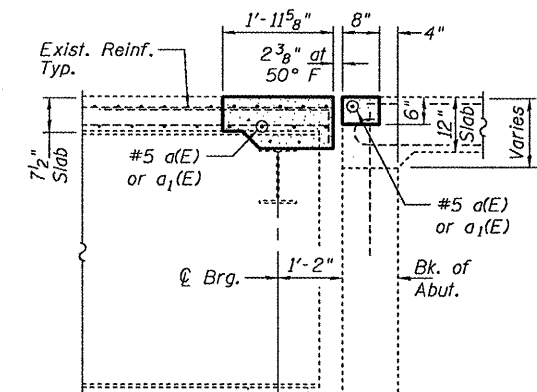
SECTION C-C
(Dimensions shown at Rt. L to backwall)
(Median not shown)

**NORTH ABUTMENT
PARTIAL PLAN**



SECTION E-E

MIN. BAR LAPS
#5 = 2'-2"



TYPICAL NORTH ABUTMENT SECTION
(Dimensions shown at Rt. L to backwall)
(Median not shown)

DESIGNED	G.G.E.
CHECKED	A.T.H.
DRAWN	Drew Christopher
CHECKED	G.G.E. A.T.H.

EXAMINED	March 9, 2009
PASSED	Carl P... Ralph E. Anderson

DETAILS
SN 057-0202

SHEET NO. 3 6 SHEETS	F.A.P. RTE. 676	SECTION (9-1)BJR	COUNTY McLEAN	TOTAL SHEETS 17	SHEET NO. 14
	FED. ROAD DIST. NO.		ILLINOIS FED. AID PROJECT		