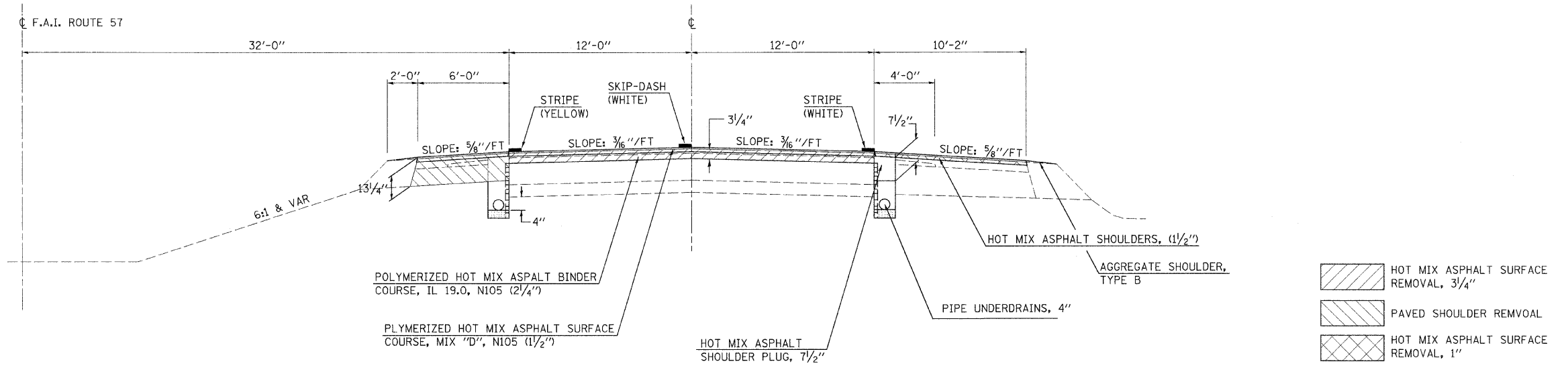


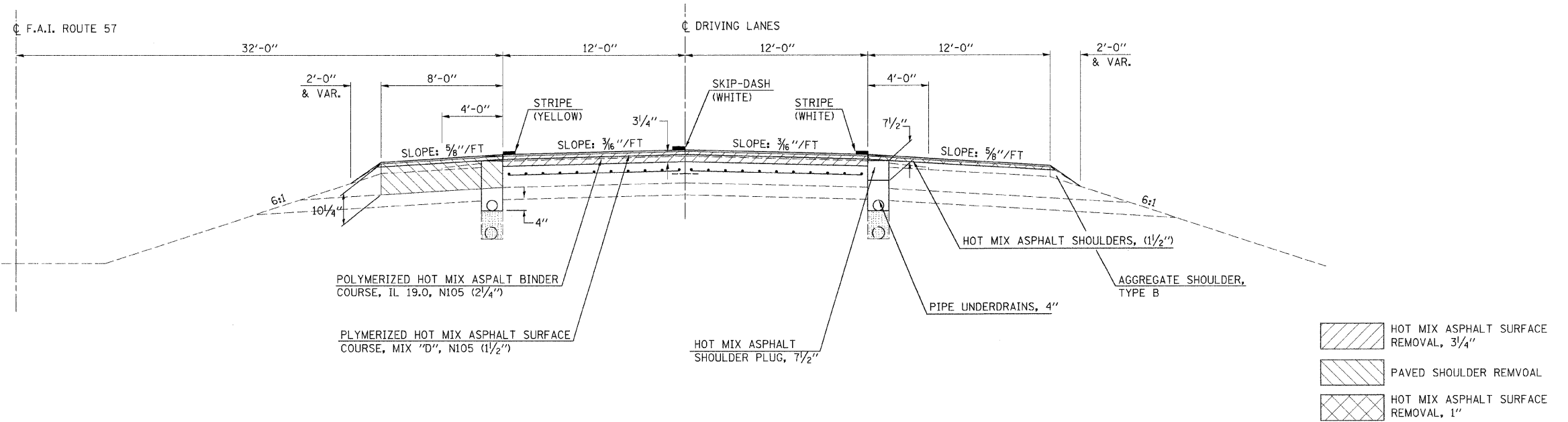
### 3 PROPOSED TYPICAL CROSS SECTION

SB STA 1133+88 TO SB STA 1140+58  
 NB STA 1134+28 TO NB STA 1140+98  
 SB STA 1196+15 TO SB STA 1198+10



### 4 PROPOSED TYPICAL CROSS SECTION

STA. 1268+60.00 TO STA. 1279+67.96  
 STA. 1283+42.96 TO STA. 1385+26.00



FILE NAME =	USER NAME = swartzrw	DESIGNED - JLD	REVISED -
ct:\pwwork\p\WIDOT\SWARTZRW\dms39044\d74158-sh-typical.dgn		DRAWN - JLD	REVISED -
	PLOT SCALE = 50,0000' / IN.	CHECKED -	REVISED -
	PLOT DATE = 3/29/2009	DATE -	REVISED -

STATE OF ILLINOIS  
 DEPARTMENT OF TRANSPORTATION

PROPOSED TYPICAL SECTIONS

SCALE: NA SHEET NO. 2 OF 3 SHEETS STA. TO STA.

F.A.I. RTE.	SECTION	COUNTY	TOTAL SHEETS	SHEET NO.
57	15(22,23,24,25,26)RS-3	COLES	87	9
FED. ROAD DIST. NO. ILLINOIS FED. AID PROJECT			CONTRACT NO. 74158	