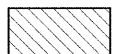





-  •HMA SURFACE REMOVAL, (VARIABLE DEPTH)
-  •VARIABLE DEPTH BINDER PAVEMENT TRANSITION
-  PAVED SHOULDER REMOVAL
-  •HMA SURFACE REMOVAL, 1/2"

•SEE DETAIL SHEET #54

FILE NAME =	USER NAME = swartzrw	DESIGNED -	REVISED -
ca:\pwork\VPWIDOT\SWARTZRW\dms38044\07	74158-shr-plan.dgn	DRAWN -	REVISED -
	PLOT SCALE = 100.0000 ' / IN.	CHECKED -	REVISED -
	PLOT DATE = 3/29/2009	DATE -	REVISED -

**STATE OF ILLINOIS  
DEPARTMENT OF TRANSPORTATION**

<b>I-57 PLAN</b>			
SCALE:	SHEET NO. 3 OF 21 SHEETS	STA. 852+00 TO STA. 881+00	

F.A.I. RTE.	SECTION	COUNTY	TOTAL SHEETS	SHEET NO.
57	15(22,23,24,25,26)RS-3	COLES	87	28
CONTRACT NO. 74158				
ILLINOIS FED. AID PROJECT				