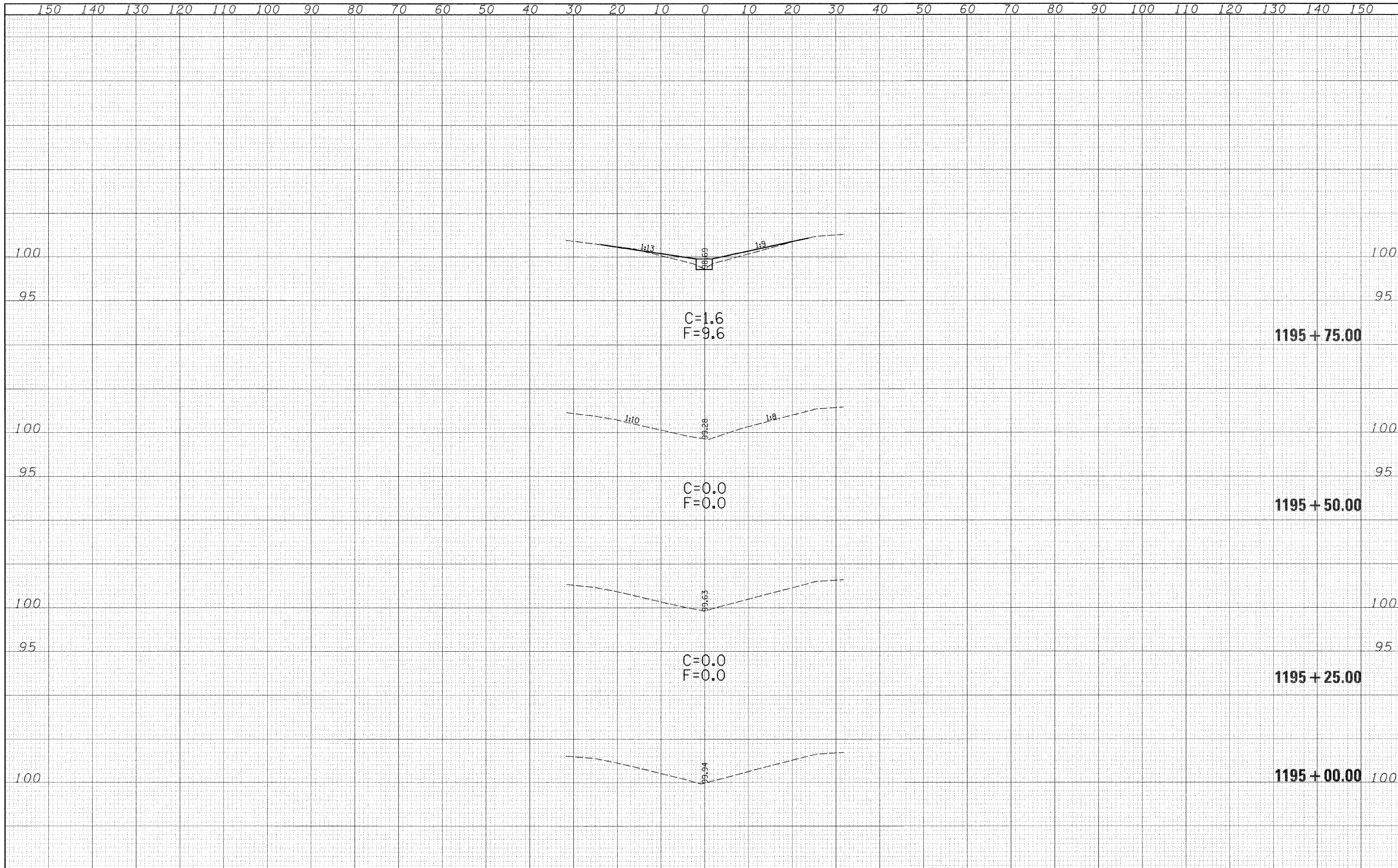


DATE	
BY	
REVIEWED	
DESIGNED	
DRAWN	
CHECKED	
DATE	
NO.	

DATE	
BY	
REVIEWED	
DESIGNED	
DRAWN	
CHECKED	
DATE	
NO.	



FILE NAME = c:\pw\work\PMIDOT\DAVISON\JL\dms38844\vs033sheet_74158.dgn	USER NAME = davissonjl	DESIGNED - JLD	REVISED -	STATE OF ILLINOIS DEPARTMENT OF TRANSPORTATION	CROSS SECTIONS S.N. 015-0033	F.A.I. RTE. 57	SECTION 15(22,23,24,25,26)RS-3	COUNTY COLES	TOTAL SHEETS 87	SHEET NO. 83	
PLOT SCALE = 10.0000' / IN.	CHECKED -	REVISED -	SCALE: 10:5			SHEET NO. 1 OF 5 SHEETS	STA. 1195+00.00 TO STA. 1195+75.00	ILLINOIS FED. AID PROJECT			
PLOT DATE = 2/9/2009	DATE -	REVISED -	CONTRACT NO. 74158								