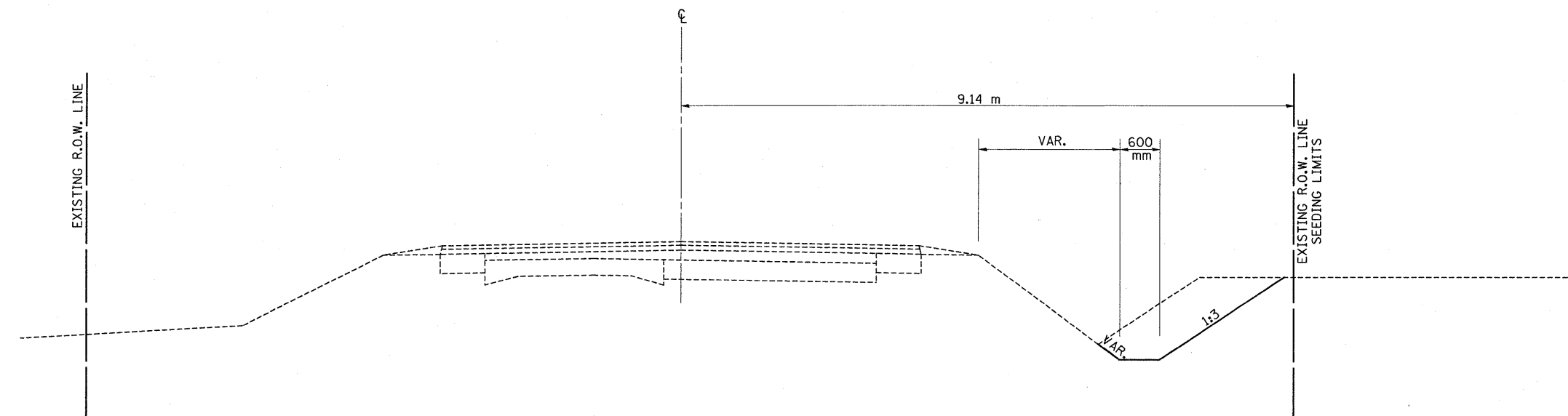


F.A.S. RTE.	SECTION	COUNTY	TOTAL SHEETS	SHEET NO.
674	28BR	COLES	21	5

PROPOSED TYPICAL CROSS SECTION ①

STATION 7+650.000 TO STATION 7+701.933 ②



PROPOSED TYPICAL CROSS SECTION ②

① STATION 7+701.933 TO STATION 7+711.651 ③

