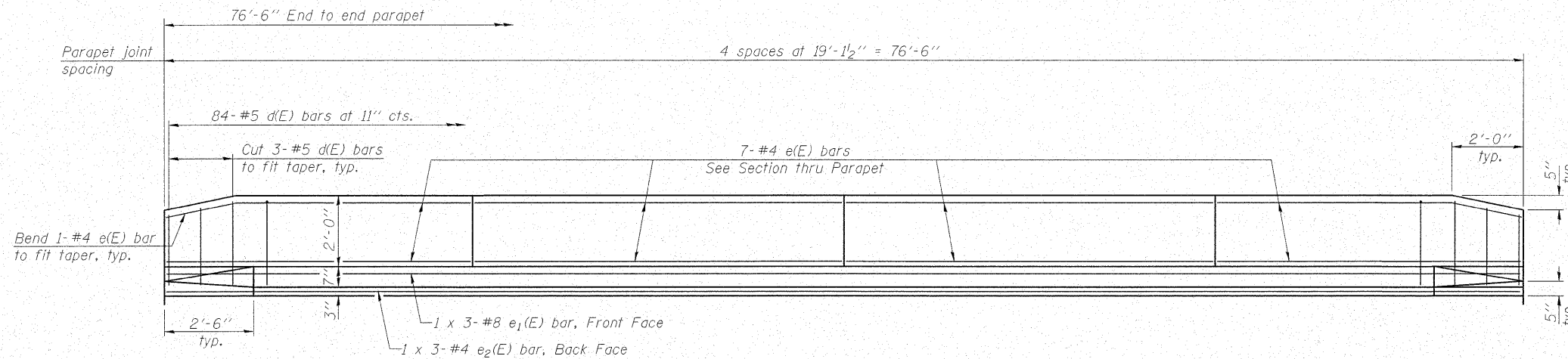


STATE OF ILLINOIS
DEPARTMENT OF TRANSPORTATION

ROUTE NO.	SECTION	COUNTY	POST MILES	SHEET NO.	SHEET NO. 10 19 SHEETS
FAP 770 IL 128	(115BR) B-1	SHELBY	39	27	
FED. ROAD DIST. NO.	ILLINOIS	FED. AID PROJECT-			

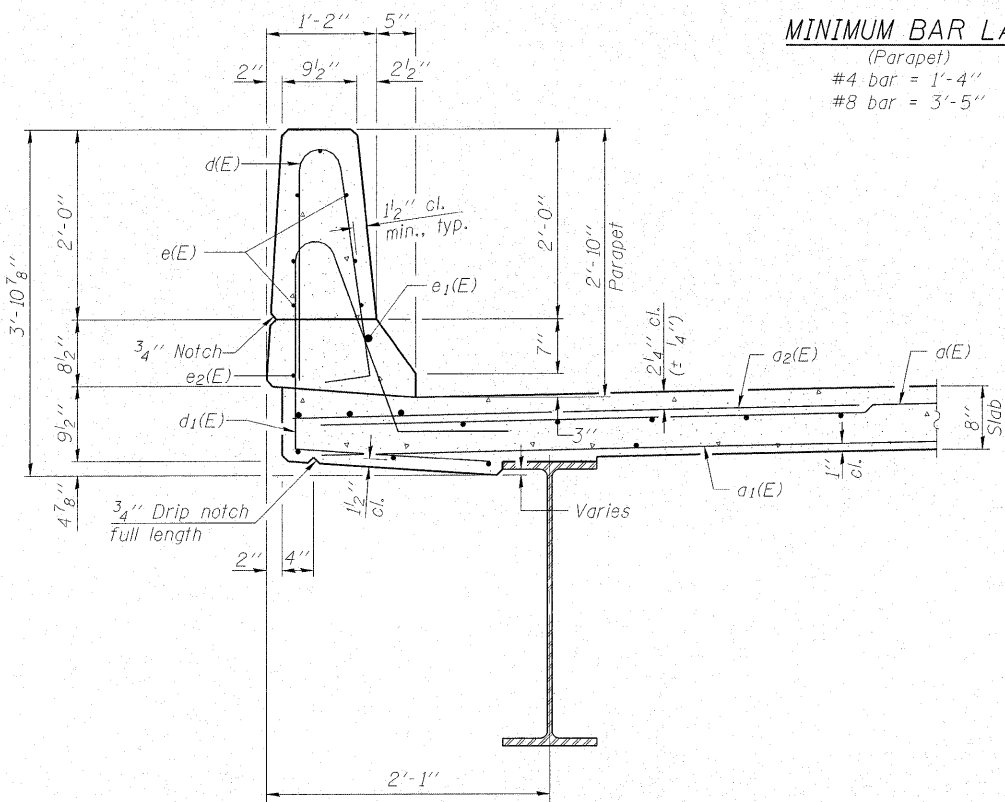
Contract # 74233



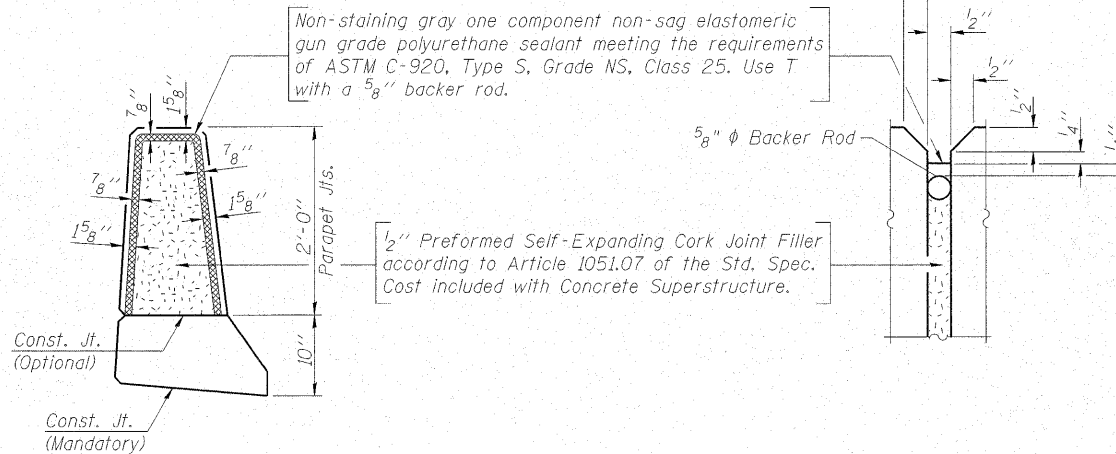
INSIDE ELEVATION OF PARAPET

MINIMUM BAR LAP

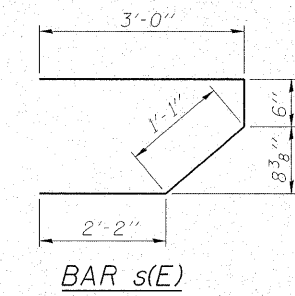
(Parapet)
#4 bar = 1'-4"
#8 bar = 3'-5"



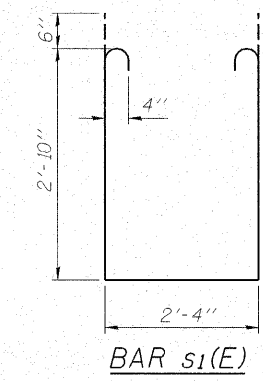
SECTION THRU PARAPET



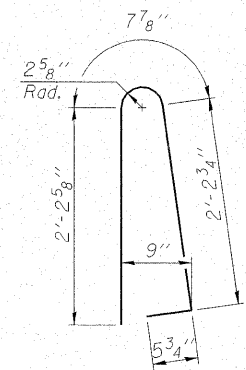
PARAPET JOINT DETAILS



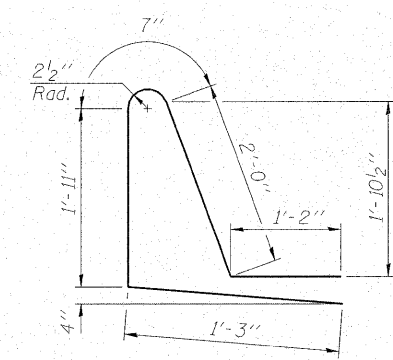
BAR s(E)



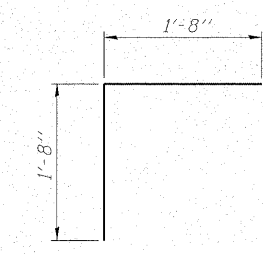
BAR s1(E)



BAR d(E)



BAR d1(E)



BAR v(E)

SUPERSTRUCTURE
BILL OF MATERIAL

Bar	No.	Size	Length	Shape
d(E)	230	#5	19'-1"	—
a1(E)	184	#5	18'-9"	—
a2(E)	230	#6	6'-0"	—
a3(E)	8	#5	20'-4"	—
b(E)	126	#5	26'-7"	—
b1(E)	136	#5	20'-4"	—
d(E)	168	#5	5'-7"	┌
d1(E)	168	#5	6'-11"	┌
e(E)	56	#4	18'-10"	—
e1(E)	6	#8	27'-9"	—
e2(E)	6	#4	26'-4"	—
m(E)	8	#6	19'-6"	—
m1(E)	12	#6	20'-6"	—
m2(E)	32	#6	7'-3"	—
m3(E)	12	#6	5'-0"	—
m4(E)	4	#6	1'-10"	—
m5(E)	4	#6	2'-4"	—
s(E)	84	#5	6'-9"	└
s1(E)	72	#4	9'-0"	└
v(E)	76	#5	3'-4"	└
Reinforcement Bars, Epoxy Coated			Pound	22600
Concrete Superstructure			Cu. Yds.	117.3

Bars indicated thus 1 x 3-#5 etc. indicates 1 line of bars with 3 lengths per line.

SUPERSTRUCTURE DETAILS

IL ROUTE 128 OVER
ROBINSON CREEK TRIBUTARY
F.A.P. RTE. 770 - SECTION (115BR)B-1
SHELBY COUNTY
STATION 408+75.45
STRUCTURE NO. 087-0031



DESIGNED - BAS
CHECKED - KEF
DRAWN - LAD
CHECKED - RJA / KEF