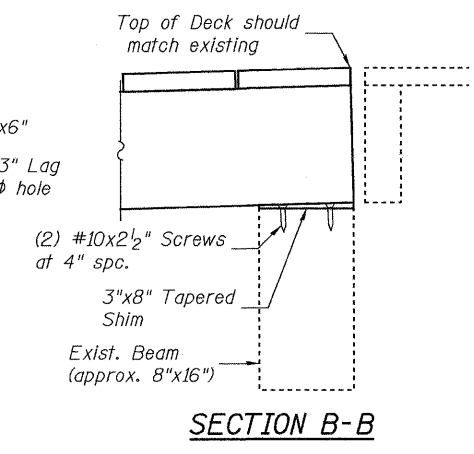
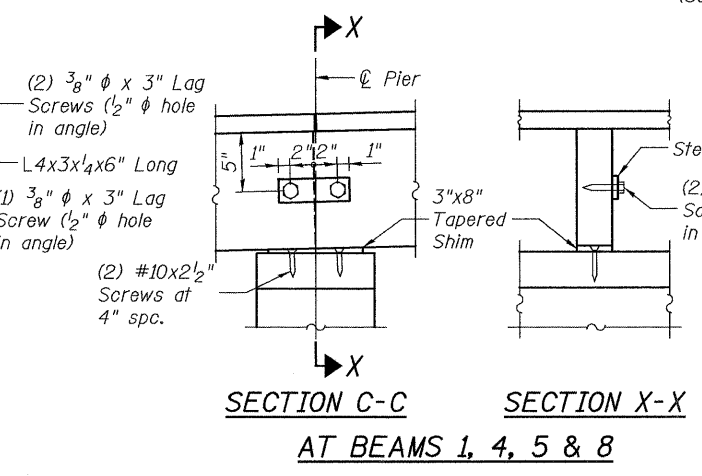
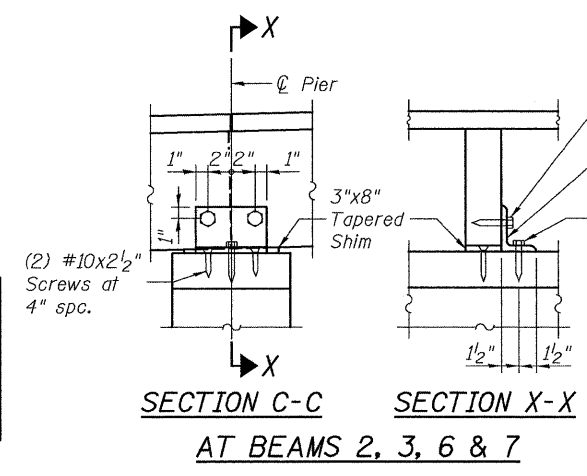
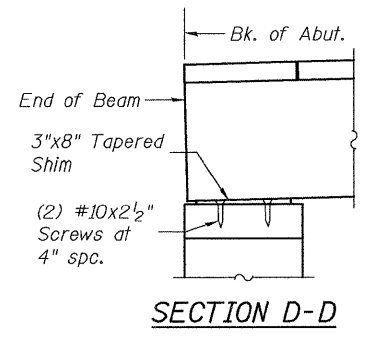
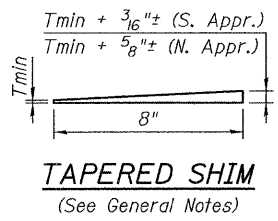
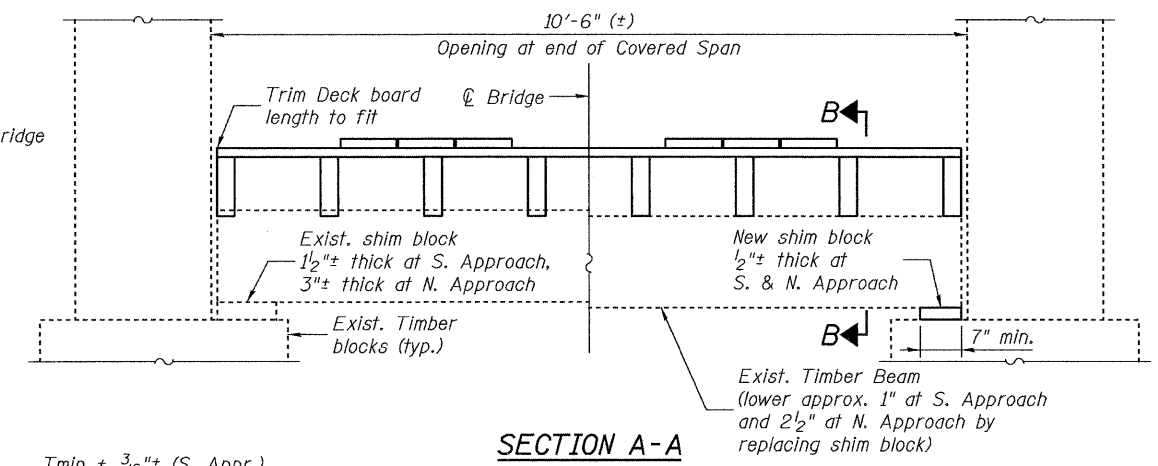
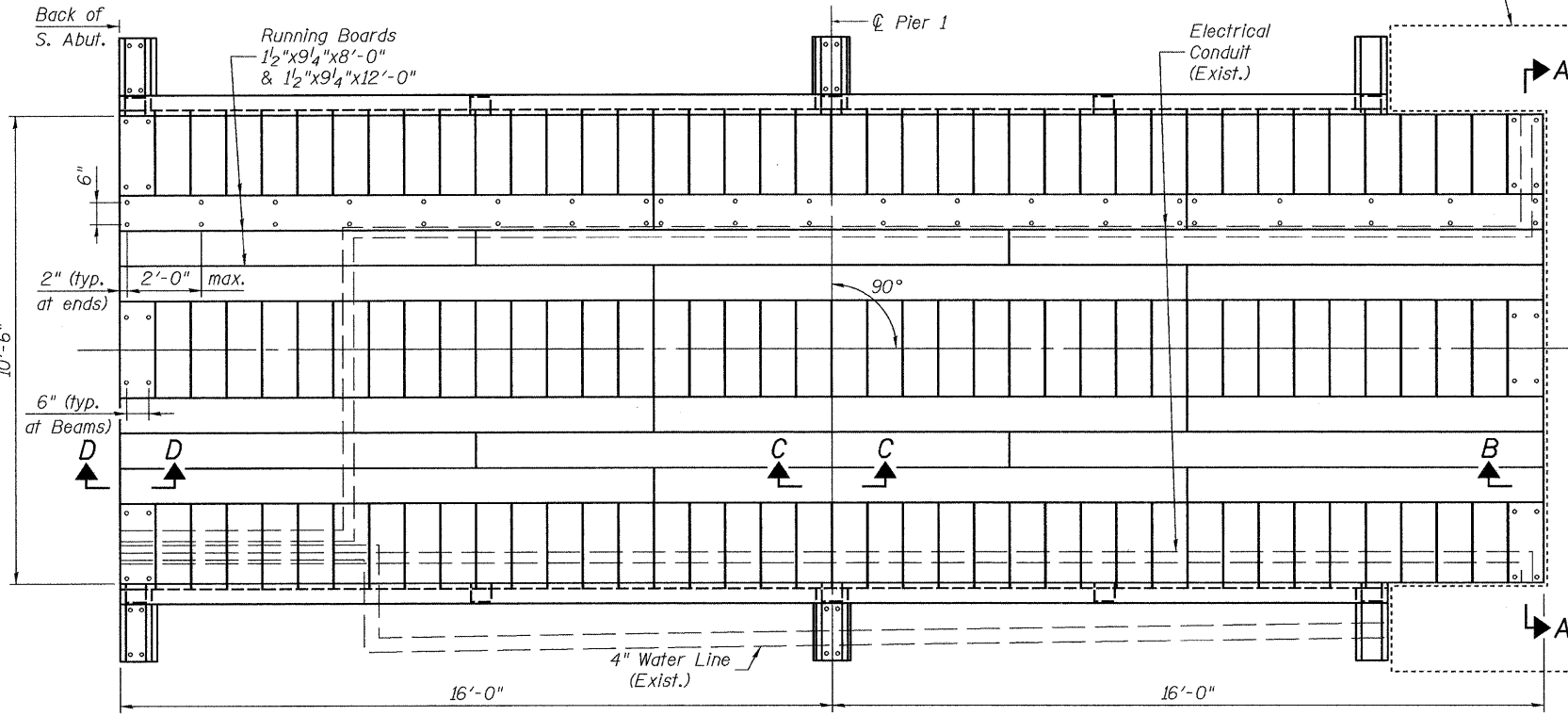
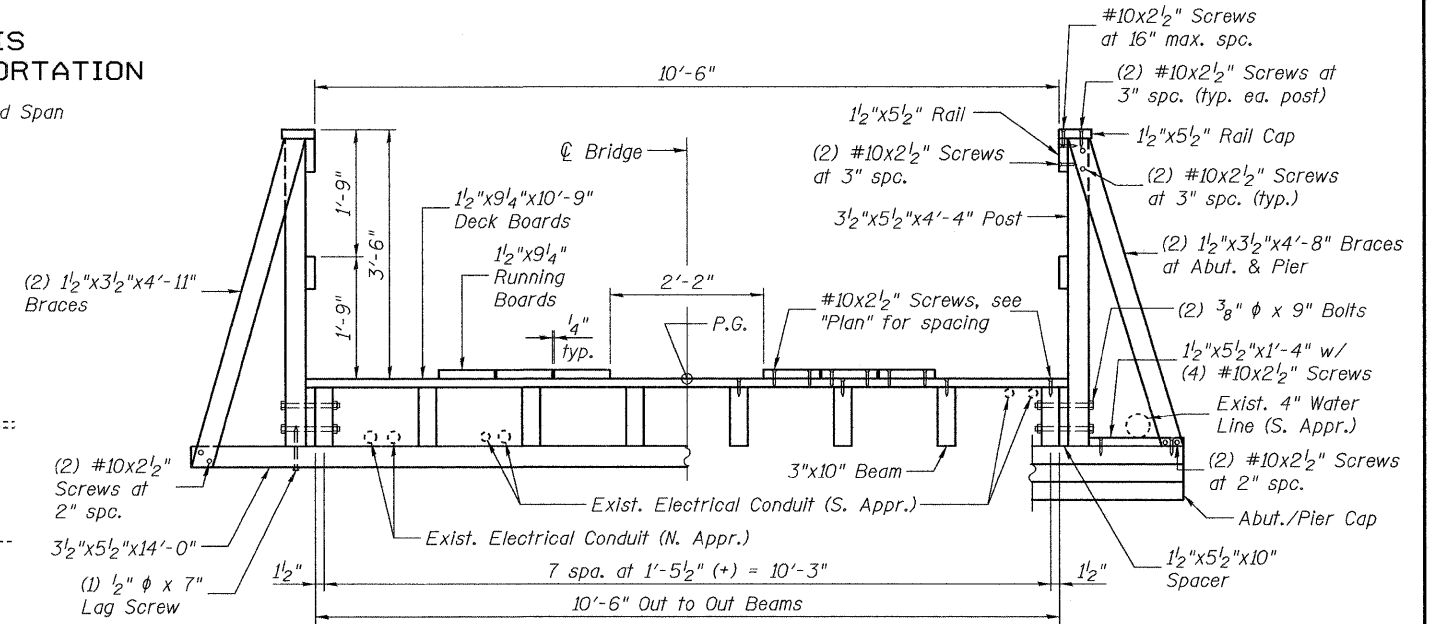
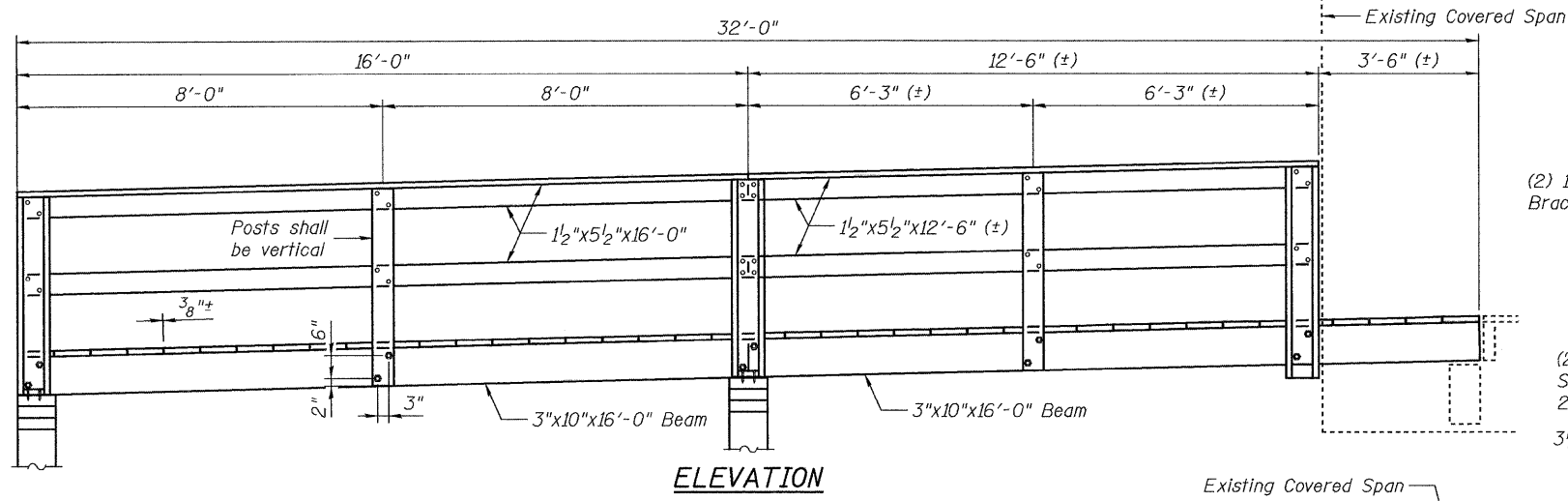


STATE OF ILLINOIS
DEPARTMENT OF TRANSPORTATION



BILL OF MATERIAL

Item	Unit	Total
Treated Timber	F.B.M.	1615
Hardware	Pound	58

**SUPERSTRUCTURE - SOUTH APPROACH
THOMPSON MILL COVERED BRIDGE OVER
KASKASKIA RIVER
STRUCTURE NO. 087-0019**

SHEET	T.R. RTE.	SECTION	COUNTY	TOTAL SHEETS	SHEET NO.
2 OF 12	389A	D-7 Bridge Appr. 2009-1	SHELBY	14	4
STA. 50+00			CONTRACT NO. 74337		
FED. ROAD DIST. NO.		ILLINOIS FED. AID PROJECT			

JD Johnson, Depp & Quisenberry
CONSULTING ENGINEERS
Springfield, Illinois

DESIGNED: JDQ DRAWN: SJS/PTR
CHECKED: DCD CHECKED: DCD

FILE: J:\JDO\10161L-D7VW4 Thompson Mill Covered Bridge\1-ThompsonMill\02superstr.dgn USER: DCD DATE: 02/04/2009 16:38:41