

STATE OF ILLINOIS
DEPARTMENT OF TRANSPORTATION

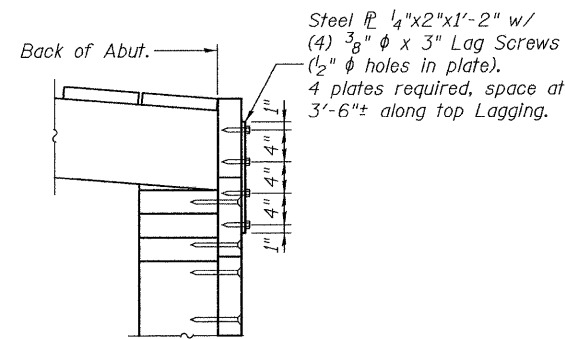
PILE DATA (PILE BENT)

Type: Timber - 10" dia. Treated, with Pile Shoes
Nominal Required Bearing: 106 kips
Factored Resistance Available: 53 kips
Est. Length: 35'
No. Production Piles: 3
No. Test Piles: 1

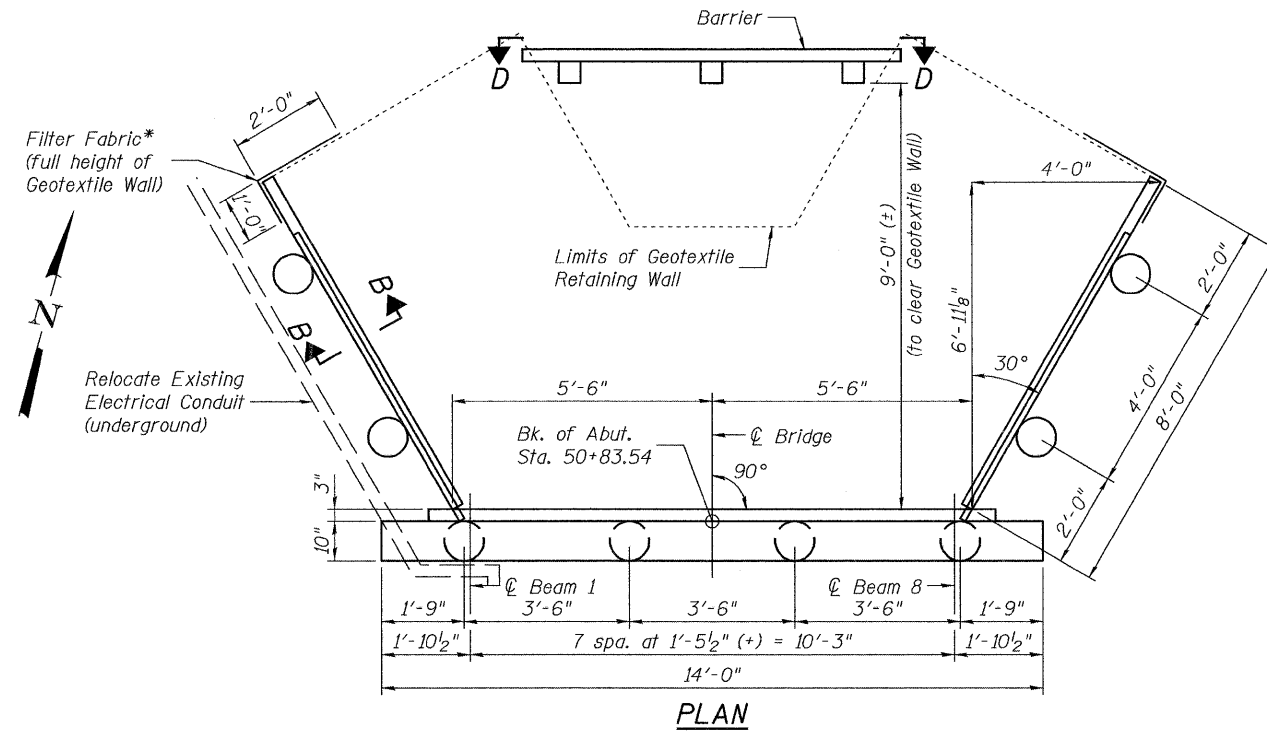
PILE DATA (WINGWALLS)

Type: Timber - 10" dia. Treated, with Pile Shoes
Nominal Required Bearing: NA
Factored Resistance Available: NA
Min. Pile Tip Elevation: 505.2 (see Note **)
Est. Length: 25'
No. Production Piles: 4
No. Test Piles: None

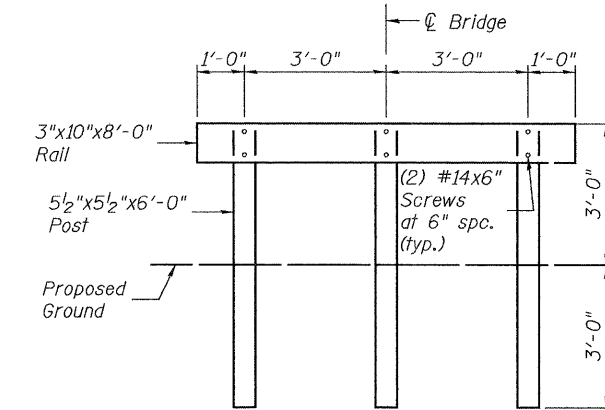
** Wingwall piles shall be driven to the Min. Tip Elevation shown. However if the piles reach the shale/rock layer above this elevation, then pile driving may stop when a Nominal Bearing of 106 kips is obtained.



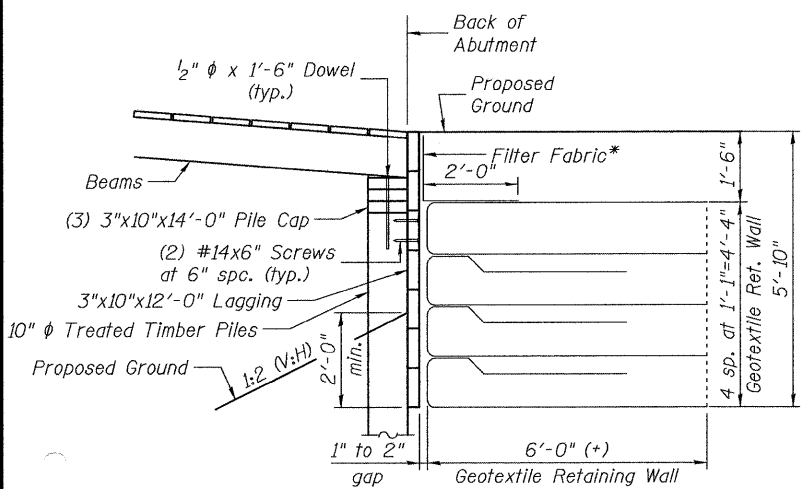
SECTION C-C



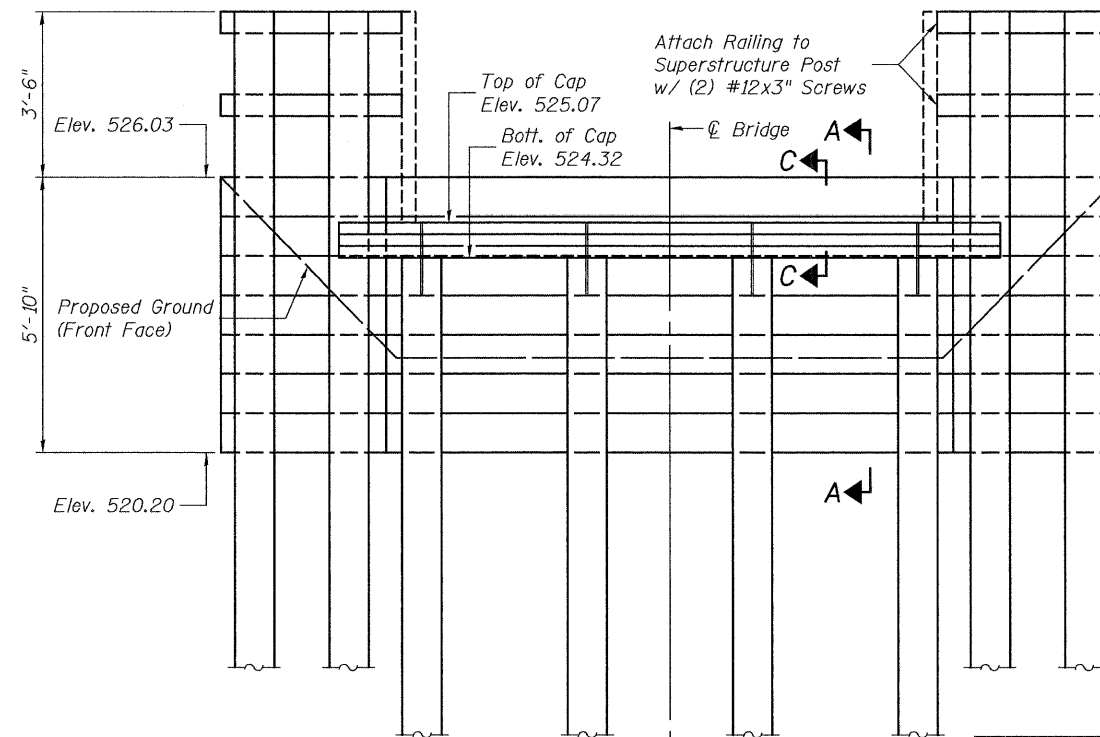
PLAN



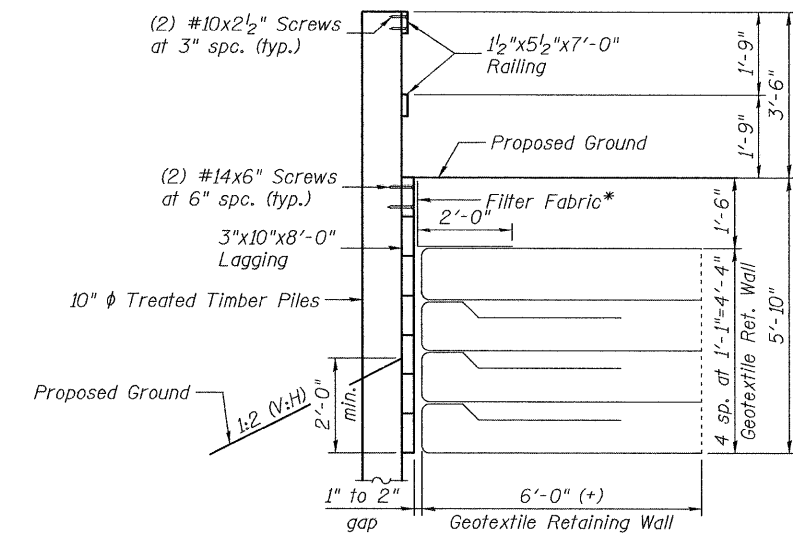
SECTION D-D



SECTION A-A



ELEVATION - NORTH ABUTMENT
(Facing North)



SECTION B-B

BILL OF MATERIAL

Item	Unit	Total
Treated Timber	F.B.M.	683
Hardware	Pound	24
Furnishing Treated Piles 20.1 to 38 Feet	Foot	205
Driving Piles	Foot	205
Test Pile Timber	Each	1
Pile Shoes	Each	8
Geotextile Retaining Wall	Sq Ft	117
Structure Excavation	Cu Yd	37

* Filter Fabric shall be provided for soil backfill as shown, cost included with Geotextile Retaining Wall.

For Geotextile Retaining Wall construction details, see sheet 6 of 12.

Johnson, Depp & Quisenberry
CONSULTING ENGINEERS
Springfield, Illinois

DESIGNED: JDQ	DRAWN: SJS/PTR
CHECKED: DCD	CHECKED: DCD

NORTH ABUTMENT
THOMPSON MILL COVERED BRIDGE OVER
KASKASKIA RIVER
STRUCTURE NO. 087-0019

SHEET 5 OF 12	T.R. RTE.	SECTION	COUNTY	TOTAL SHEETS	SHEET NO.
	389A	D-7 Bridge Appr. 2009-1	SHELBY	14	7
STA. 50+00			CONTRACT NO. 74337		
FED. ROAD DIST. NO. ILLINOIS FED. AID PROJECT					

FILE: J:\DQ\1016\ILL-DPVY4 Thompson Mill Covered Bridge\1-ThompsonMill\05abut2.dgn

USER: DCD

DATE: 02/04/2009 16:38:48