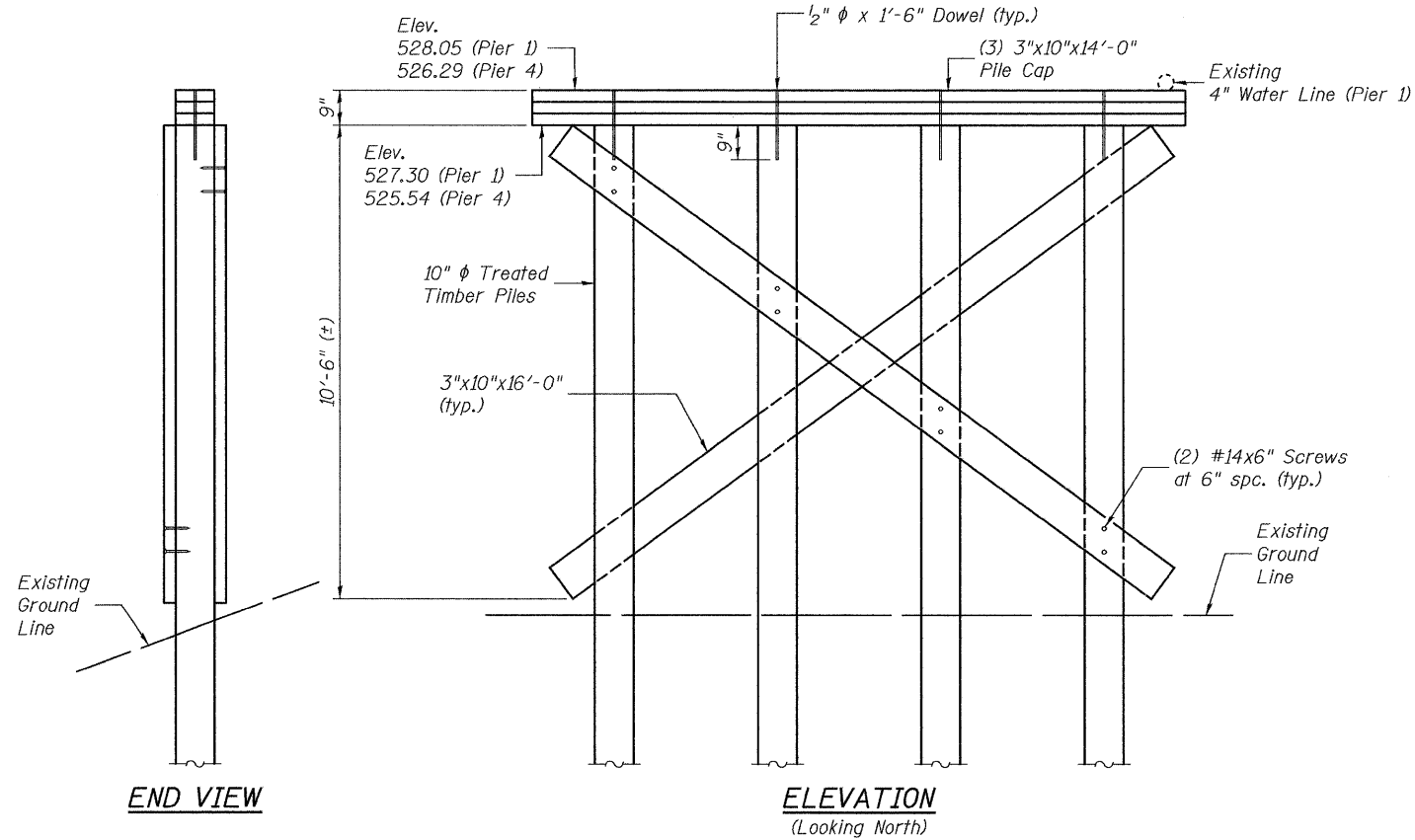
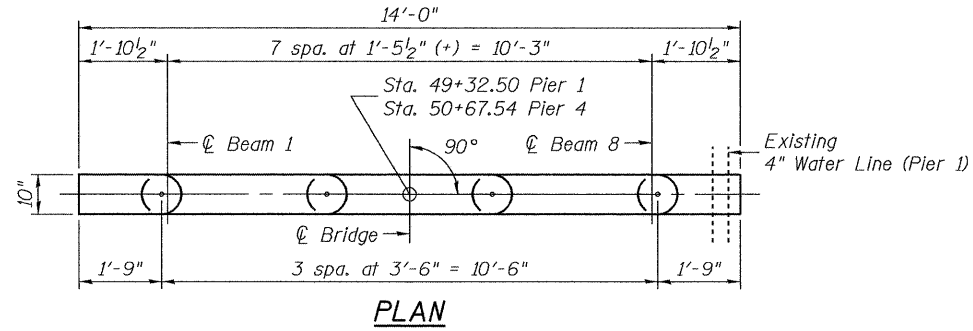
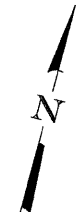


STATE OF ILLINOIS
DEPARTMENT OF TRANSPORTATION

PILE DATA

Type: Timber - 10" dia. Treated, with Pile Shoes
Nominal Required Bearing: 106 kips
Factored Resistance Available: 53 kips
Est. Length: 25' (Pier 1), 35' (Pier 4)
No. Production Piles: 3 (each Pier)
No. Test Piles: 1 (each Pier)



BILL OF MATERIAL

Item	Unit	Pier 1	Pier 4
Treated Timber	F.B.M.	185	185
Hardware	Pound	6	6
Furnishing Treated Piles 20.1 to 38 Feet	Foot	75	105
Driving Piles	Foot	75	105
Test Pile Timber	Each	1	1
Pile Shoes	Each	4	4

PIERS 1 & 4
THOMPSON MILL COVERED BRIDGE OVER
KASKASKIA RIVER
STRUCTURE NO. 087-0019

JD Johnson, Depp & Quisenberry
CONSULTING ENGINEERS
Springfield, Illinois

DESIGNED: JDQ	DRAWN: SJS/PTR
CHECKED: DCD	CHECKED: DCD

SHEET 7 OF 12	T.R. RTE.	SECTION	COUNTY	TOTAL SHEETS	SHEET NO.
	389A	D-T Bridge Appr. 2009-1	SHELBY	14	9
	STA. 50+00		CONTRACT NO. 74337		
FED. ROAD DIST. NO. ILLINOIS FED. AID PROJECT					

FILE: J:\JDQ\101611L-D7VY44 Thompson Mill Covered Bridge\1-ThompsonMill\07piers.dgn
USER: DCD
DATE: 02/04/2009 16:38:53