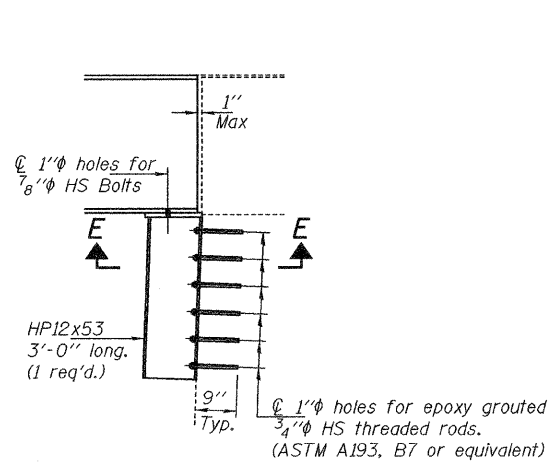
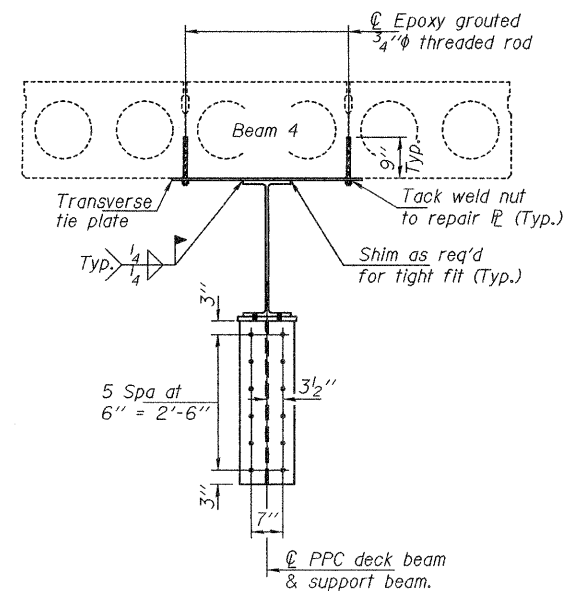


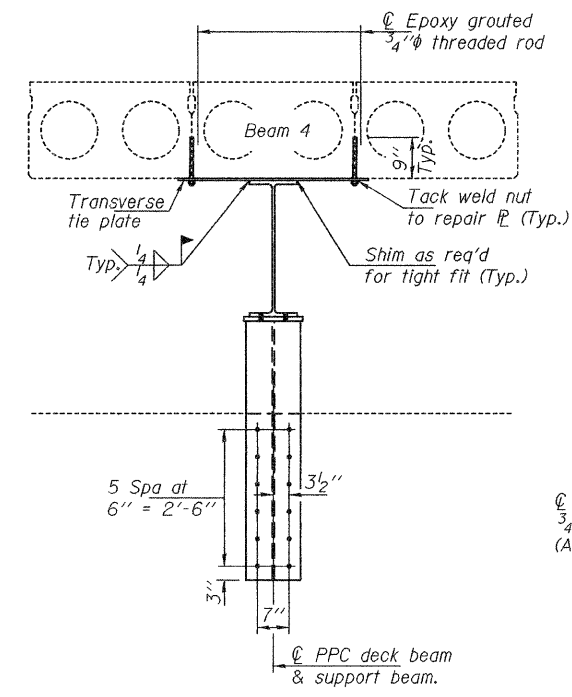
STATE OF ILLINOIS
DEPARTMENT OF TRANSPORTATION



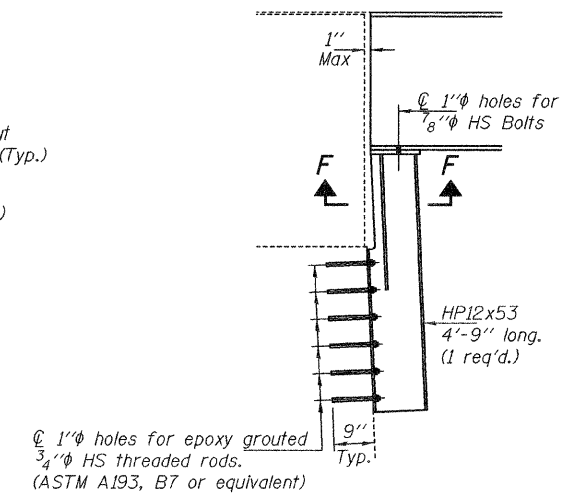
SECTION B-B



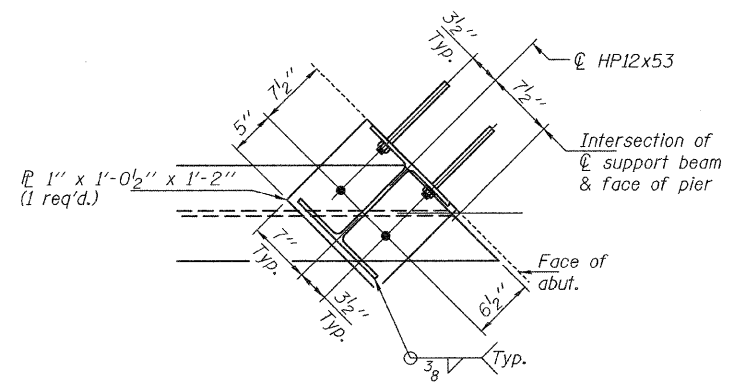
SECTION A-A



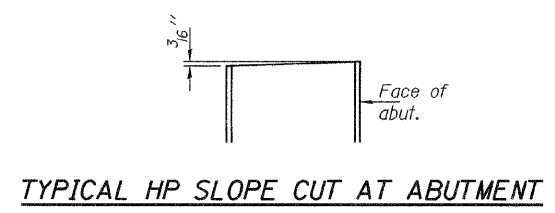
SECTION D-D



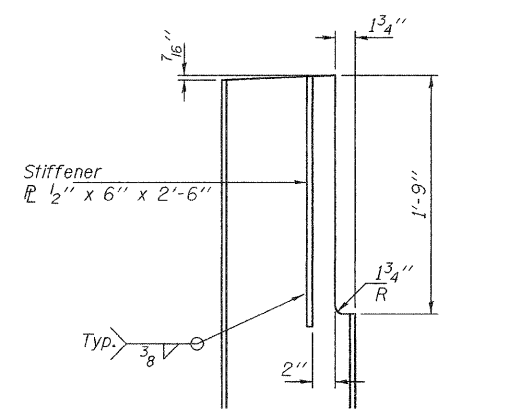
SECTION C-C



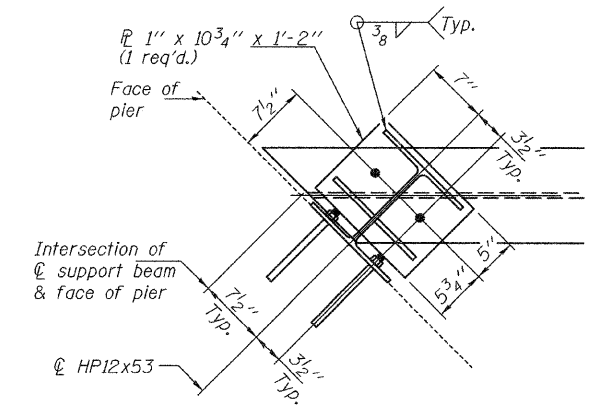
SECTION E-E



TYPICAL HP SLOPE CUT AT ABUTMENT



PARTIAL HP SECTION AT PIER



SECTION F-F

DESIGNED	VHV
CHECKED	DAB
DRAWN	ballva
CHECKED	VHV DAB

MARCH 9, 2009
 EXAMINED *Carl Perry*
 ENGINEER OF STRUCTURAL SERVICES
 PASSED *Ralph E. Anderson*
 ENGINEER OF BRIDGES AND STRUCTURES

REPAIR DETAILS
 FAP 828 OVER LONG POINT CREEK
 SN 018-0012

SHEET NO. 2	F.A.P. RTE.	SECTION	COUNTY	TOTAL SHEETS	SHEET NO.
2 SHEETS	828	D7 BEAM REPAIR 2009-1	CUMBERLAND	6	6
			CONTRACT NO. 74384		
FED. ROAD DIST. NO.		ILLINOIS FED. AID PROJECT			