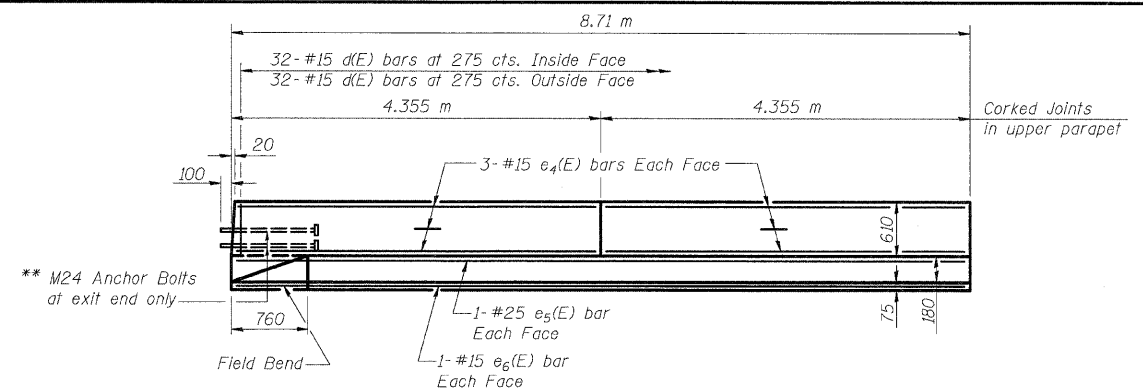
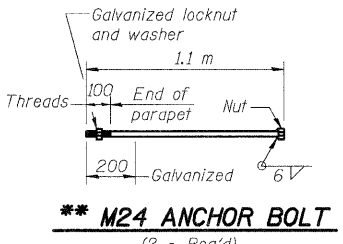


12/17/2007 1:39:29 PM
 P:\00f1\es\000024\01111\bridge.plans\060-0330\app\slab.cdw

ROUTE NO.	SECTION	COUNTY	TOTAL SHEETS	SHEET NO.
310	*	MADISON	272	108
FED. ROAD DIST. NO. 7		ILLINOIS		FED. AID PROJECT-
* 60-15HB-2 CONTRACT NO. 76624				

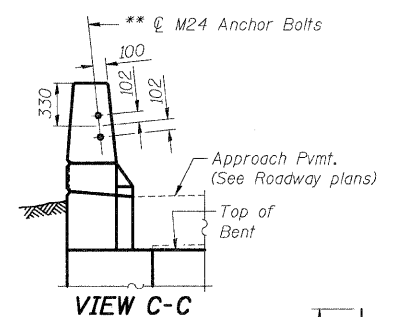


INSIDE ELEVATION OF PARAPET

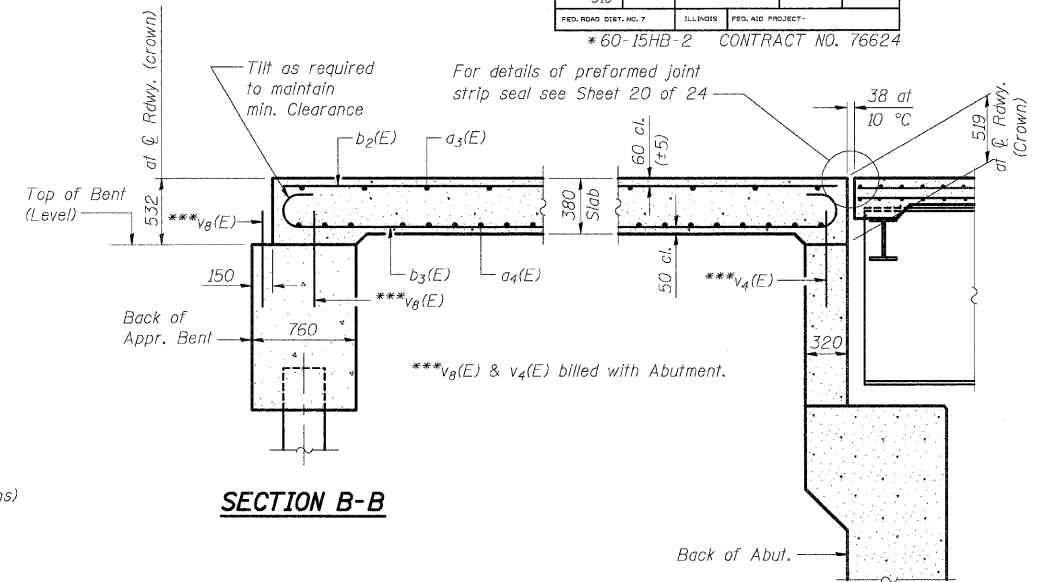


**** M24 ANCHOR BOLT**
(2 - Req'd)
Cost included with Concrete Superstructure.

** M24 Anchor bolts at West side of S.B. Structure only.

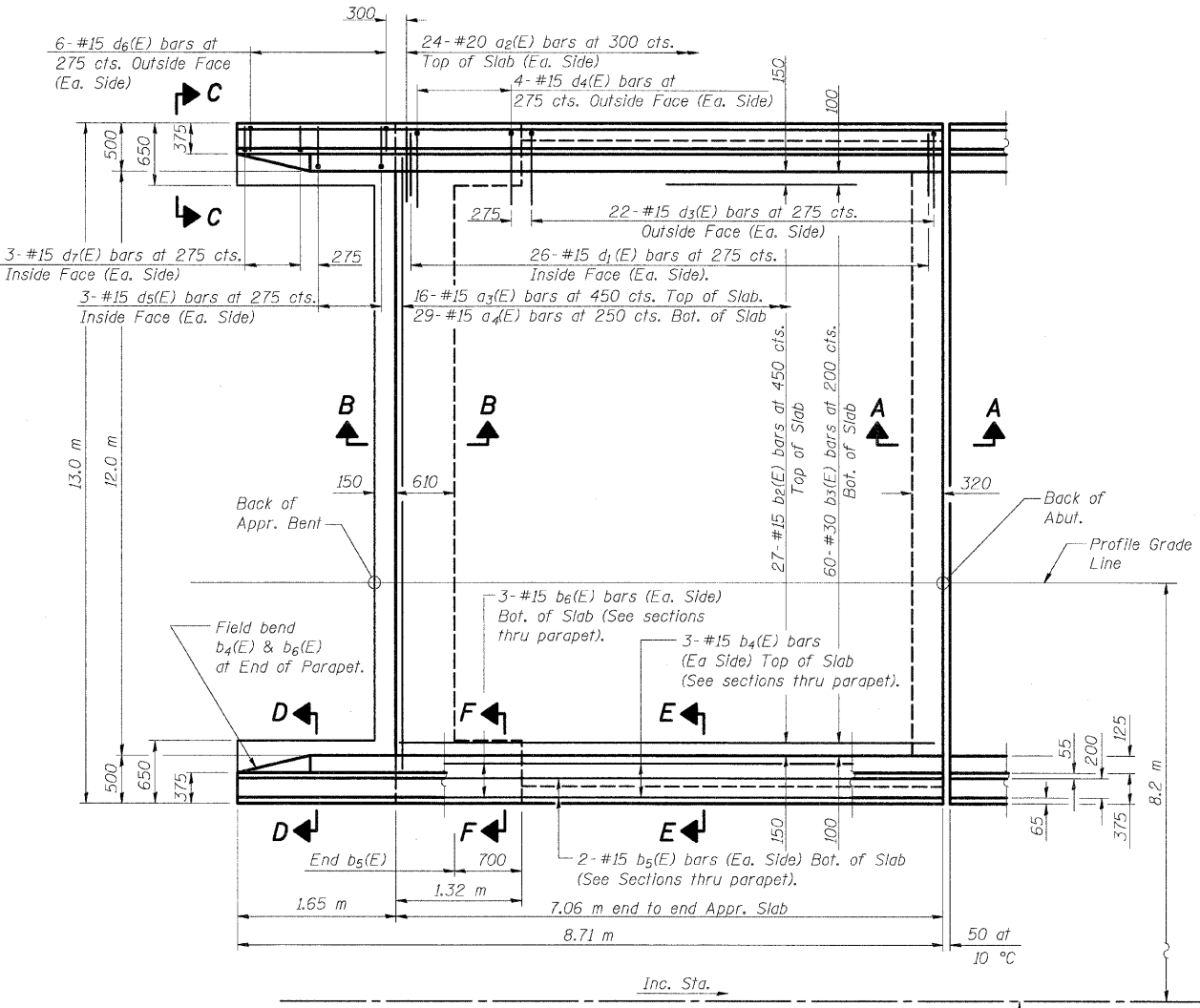


VIEW C-C



SECTION B-B

SECTION A-A



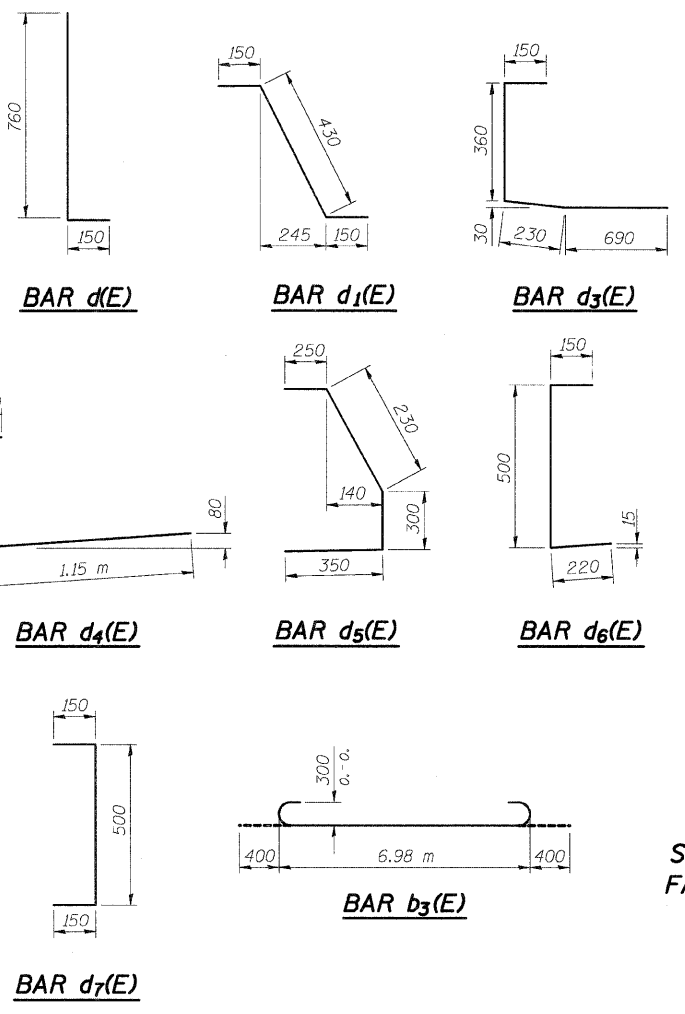
PLAN
(S.B. Structure shown, N.B. Structure the same, but opposite hand)

Notes:
See sheet 8 of 24 for parapet joint detail.
Work this sheet with sheet 8 of 24.

DESIGNED	ADL
CHECKED	WLW
DRAWN	ADL/DGM
CHECKED	WLW

**SOUTH APPROACH SLABS
BILL OF MATERIALS**
(Two Bridges)

Bar	No.	Size (#)	Length (m)	Shape
a ₂ (E)	96	#20	1.20	—
a ₃ (E)	32	#15	12.36	—
a ₄ (E)	58	#15	11.90	—
b ₂ (E)	54	#15	6.98	—
b ₃ (E)	120	#30	7.78	U
b ₄ (E)	12	#15	8.63	—
b ₅ (E)	8	#15	6.40	—
b ₆ (E)	12	#15	2.89	—
d(E)	256	#15	0.91	—
d ₁ (E)	104	#15	0.73	—
d ₃ (E)	88	#15	1.43	—
d ₄ (E)	16	#15	1.80	—
d ₅ (E)	12	#15	1.13	—
d ₆ (E)	24	#15	0.87	—
d ₇ (E)	12	#15	0.80	—
e ₄ (E)	48	#15	4.27	—
e ₅ (E)	8	#25	8.63	—
e ₆ (E)	8	#15	8.63	—
Reinforcement Bars, Epoxy Coated		kg	9490	
Concrete Superstructure		m ³	82.4	
Bridge Deck Grooving		m ²	168	
Protective Coat		m ²	209	
Form Liner Textured Surface		m ²	7	



**SOUTH APPROACH SLABS (1 OF 2)
FAP RTE. 310 (IL RTE. 255) OVER
IL RTE 111
SECTION 60-15HB-2
MADISON COUNTY
STATION 39+914.647
SN 060-0330 (NB) & 060-0331 (SB)**