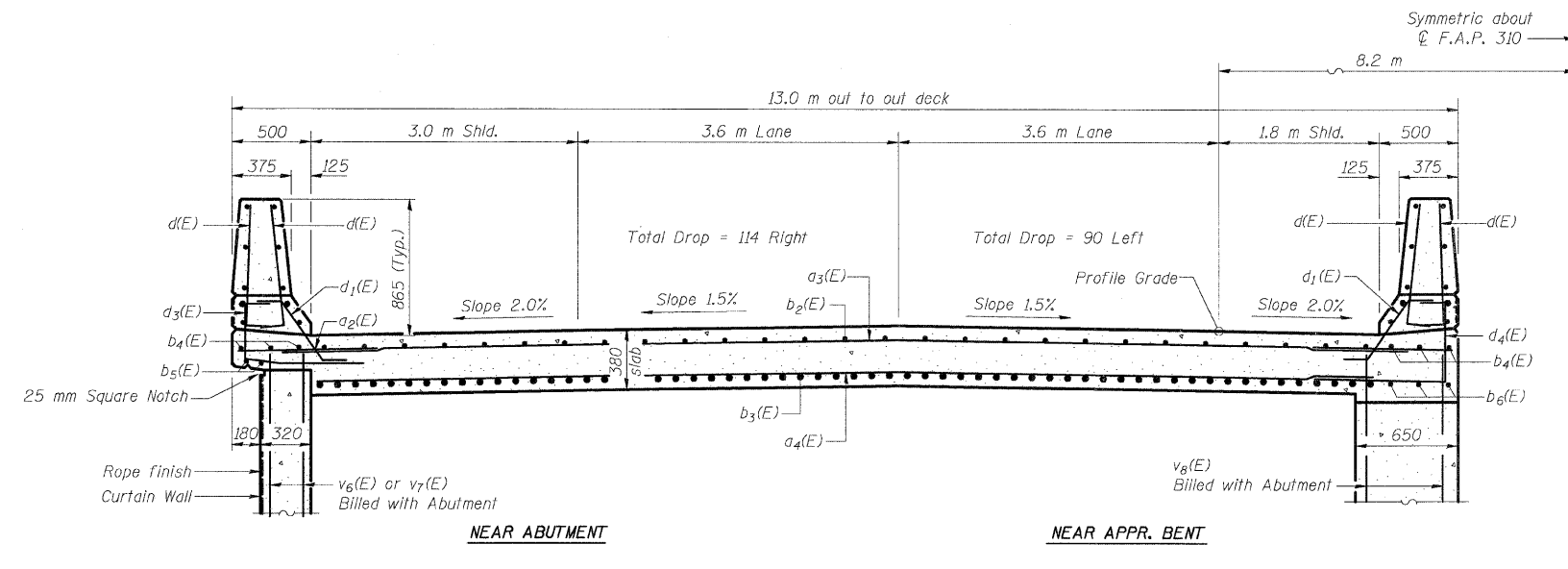


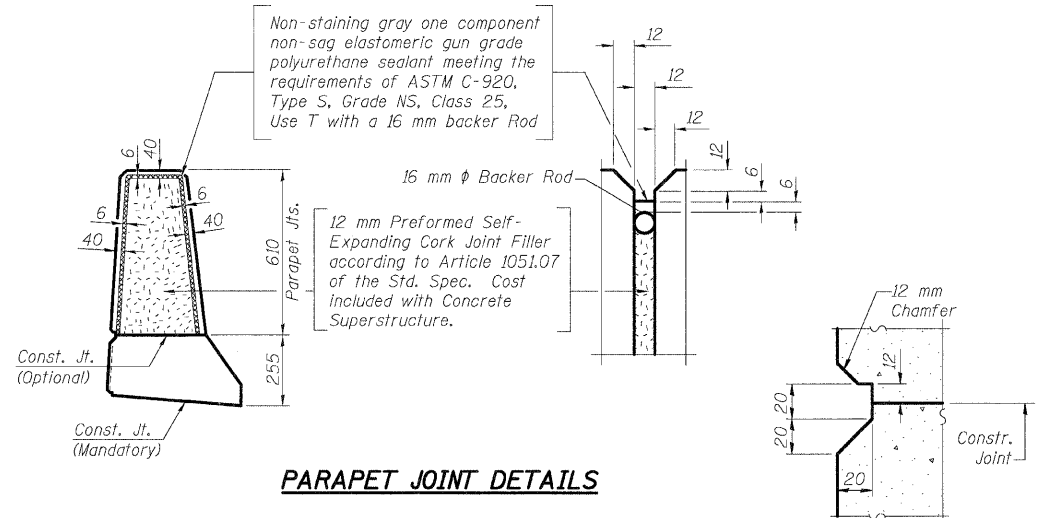
12/17/2007 1:39:29 PM c:\p00\files\000024\011111\br-dge-plans\060-0330\app-rs1-ab.dgn

ROUTE NO.	SECTION	COUNTY	LSHA	SHEET NO.	SHEET NO.
F.A.P. 310	*	MADISON	272	109	24 SHEETS
FED. ROAD DIST. NO. 7	ILLINOIS	FED. AID PROJECT			
* 60-15HB-2 CONTRACT NO. 76624					



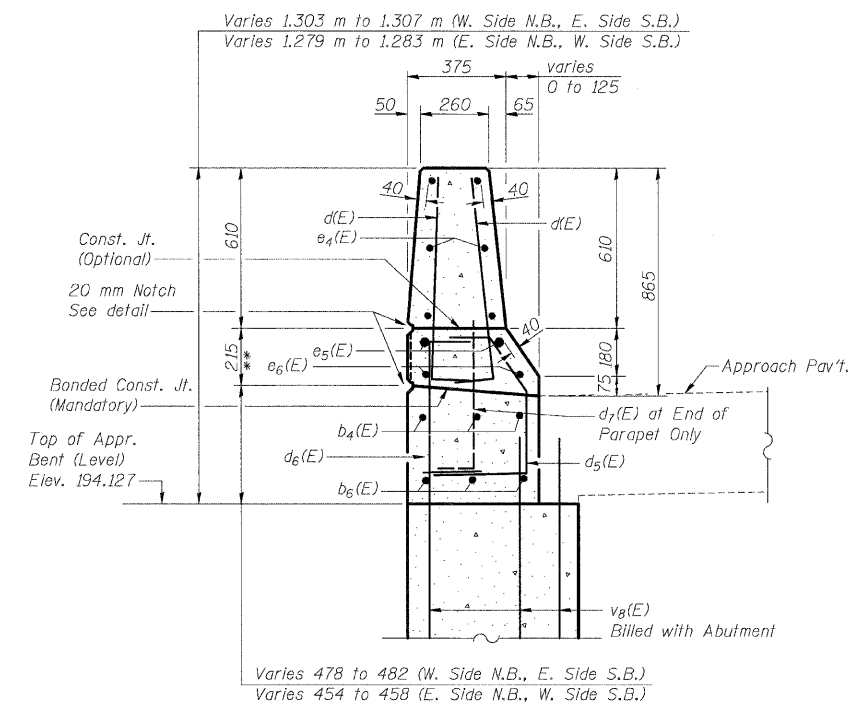
**CROSS SECTION**  
(Looking North)

(S.B. Structure shown, N.B. structure the same, but opposite hand).

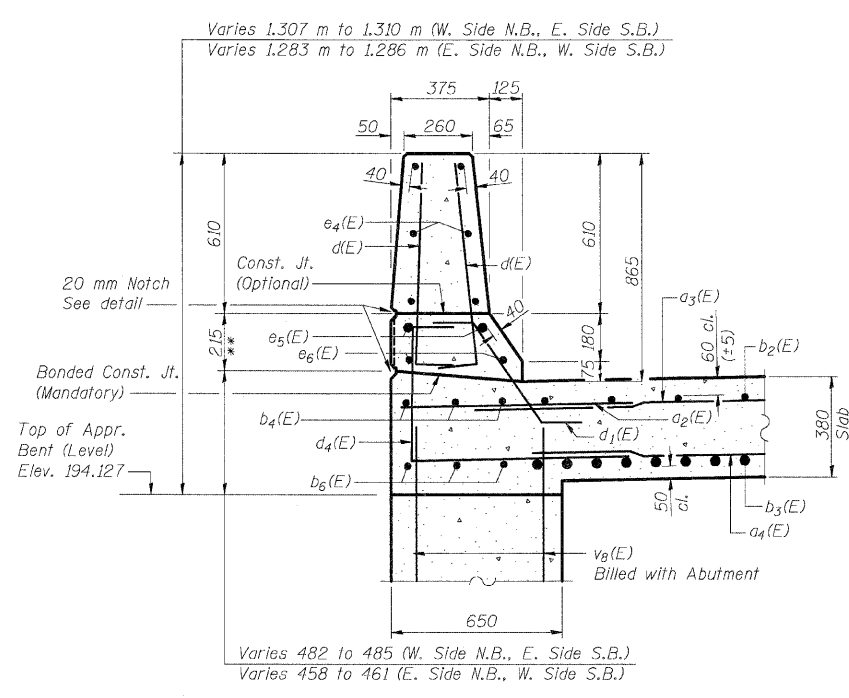


**PARAPET JOINT DETAILS**

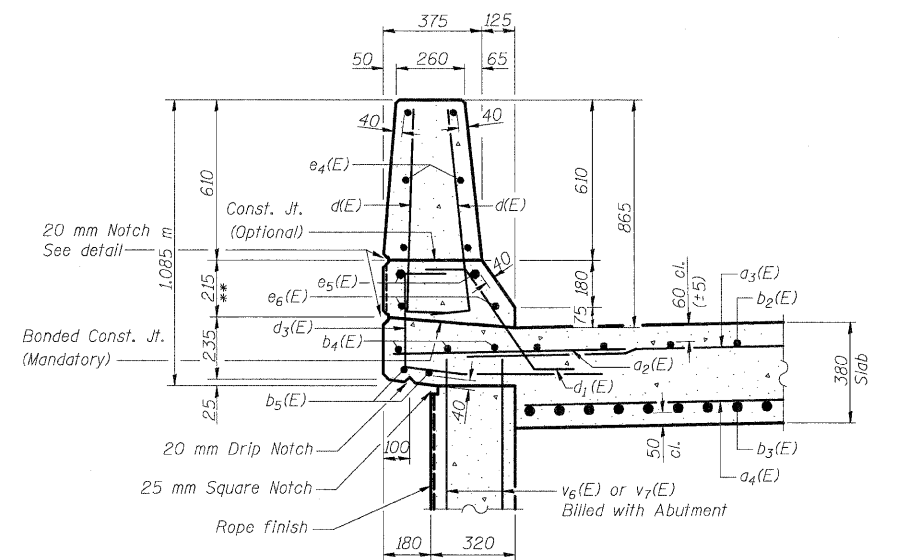
**NOTCH DETAIL**



**SECTION THRU PARAPET (SECTION D-D)**



**SECTION THRU PARAPET (SECTION F-F)**



**SECTION THRU PARAPET (SECTION E-E)**

DESIGNED	ADL
CHECKED	WLW
DRAWN	ADL/DGM
CHECKED	WLW

Note:  
Work this sheet with sheet 7 of 24.

\*\* Patterned Rope Texture Concrete.  
See Sheet 19 of 24 for details.

**SOUTH APPROACH SLABS (2 OF 2)**  
**FAP RTE. 310 (IL RTE. 255) OVER**  
**IL RTE 111**  
**SECTION 60-15HB-2**  
**MADISON COUNTY**  
**STATION 39+914.647**  
**SN 060-0330 (NB) & 060-0331 (SB)**

Klingner & Assoc., P.C.