

12/17/2007 1:44:08 PM

ps:\00f\ies\000024\4\1111\bridge-plans\060-0330-abutment.dgn

Note:
Work this sheet with sheet 14 of 24.

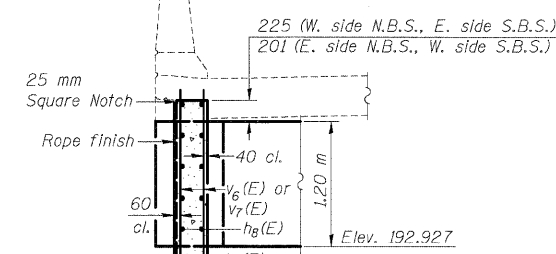
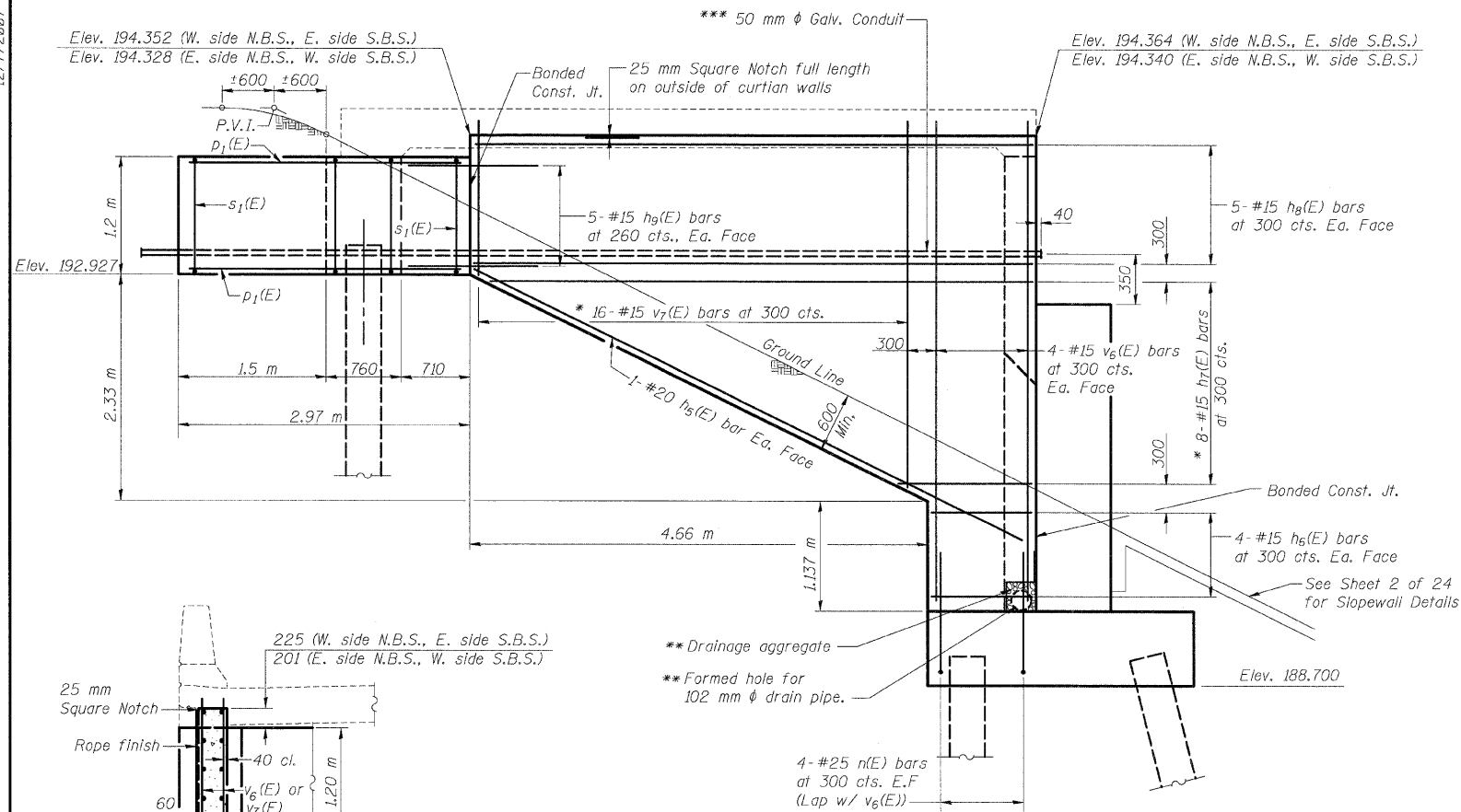
* Order $h_7(E)$ & $v_7(E)$ bars full length cut to fit as shown and use remainder of bars in opposite face of curtain wall. See Field Cutting Diagram on Sheet 14 of 24.

** See Vaulted Abutment & Slope Wall Detail on sheet 2 of 24.

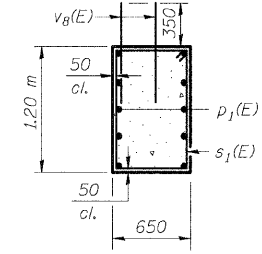
*** 50 mm ϕ Galvanized Conduit (Sch. 40 pipe) shall conform to the requirements ANSI C 80.1 or UL 1242. Thread and cap each end. Cost included with Concrete Structures. (See Details Sheet 2 of 24).

ROUTE NO.	SECTION	COUNTY	SHEET NO.	SHEET TOTAL
F.A.P. 310	*	MADISON	272	116
ILLINOIS FED. AID PROJECT				
* 60-15HB-2 CONTRACT NO. 76624				

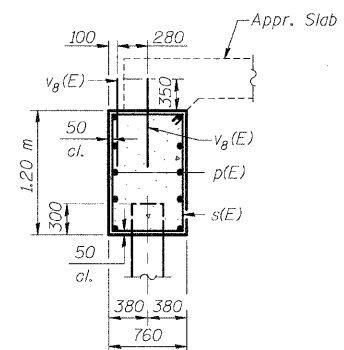
SHEET NO. 15
24 SHEETS



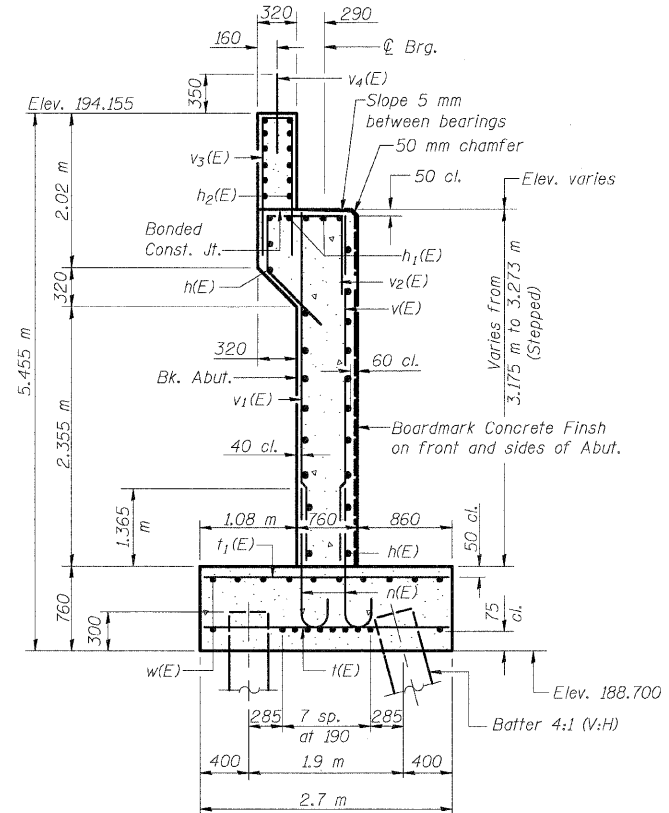
SECTION C-C



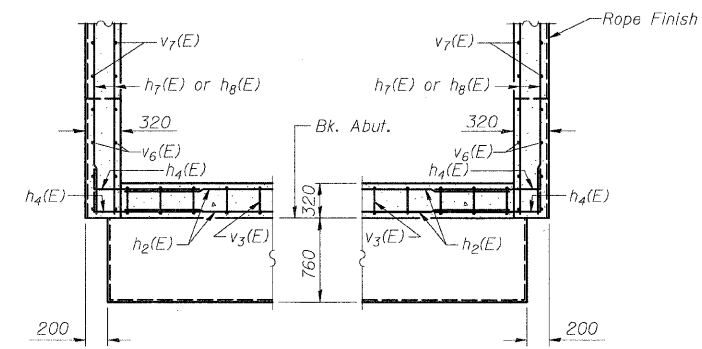
SECTION D-D



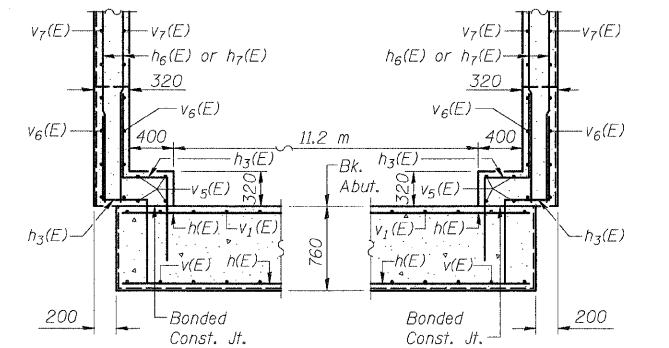
SECTION B-B



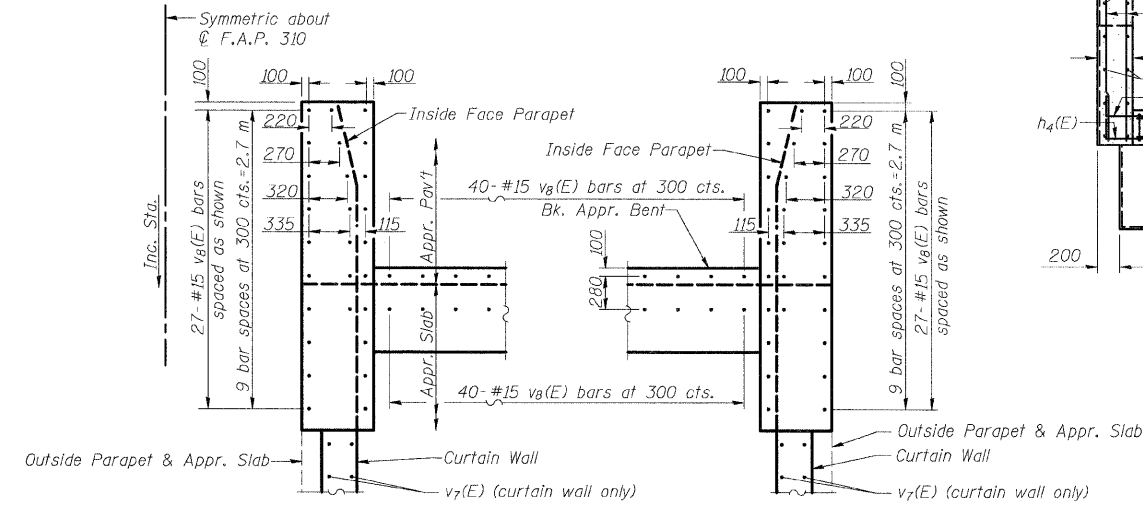
SECTION A-A



SECTION F-F



SECTION G-G



**PLAN OF APPR. BENT
SHOWING $v_8(E)$ BAR SPACING**

(S.B. Structure shown, N.B. Structure the same, but opposite hand)

DESIGNED	ADL
CHECKED	WLW
DRAWN	ADL/DGM
CHECKED	WLW

SOUTH ABUTMENTS (2 OF 2)
FAP RTE. 310 (IL RTE. 255) OVER
IL RTE 111
SECTION 60-15HB-2
MADISON COUNTY
STATION 39+914.647
SN 060-0330 (NB) & 060-0331 (SB)