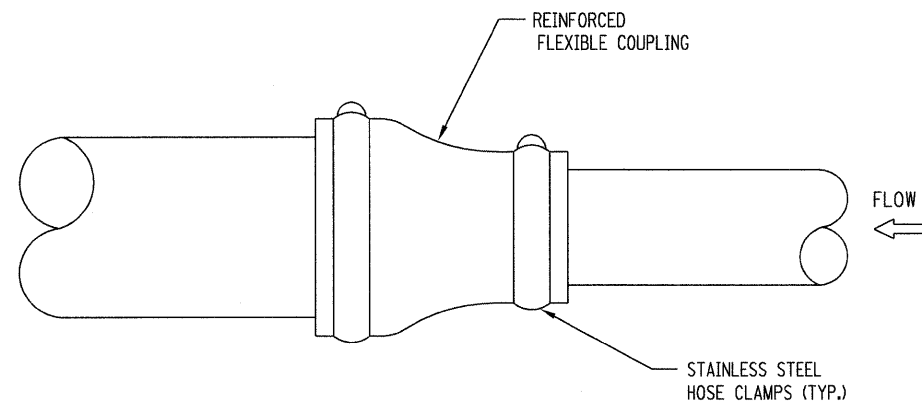


COUPLING FOR JOINING DISSIMILAR PIPES



REDUCING COUPLING

FLEXIBLE COUPLING DETAIL
NOT TO SCALE

NOTES:

1. REPLACEMENT PIPE IS TO BE ONE PIECE.
2. 8" - 24", REPLACEMENT PIPE MATERIAL IS - PVC.
3. 27" AND GREATER, REPLACEMENT PIPE MATERIAL IS - MATCH EXISTING PIPE MATERIAL.
4. INVERTS OF NEW PIPE TO MATCH EXISTING (TYP.)

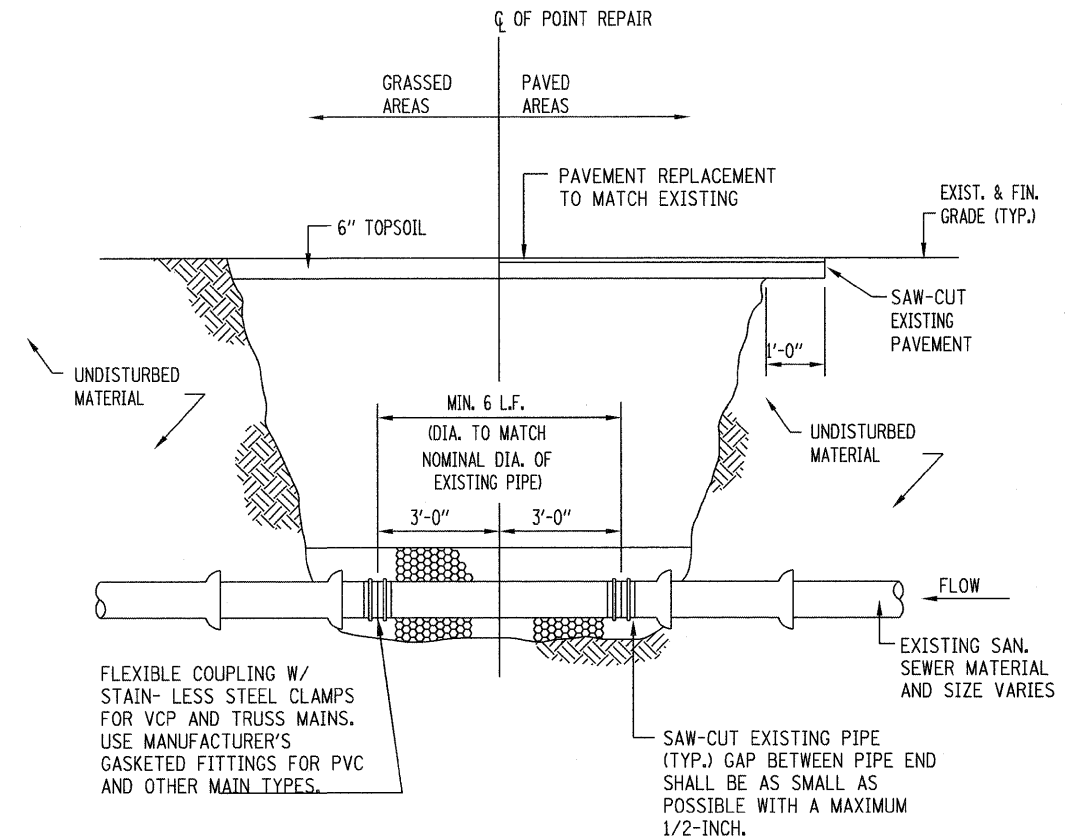
FOR REPAIRS BENEATH PAVEMENT:

5. BEDDING AND BACKFILL SHALL BE CONTROLLED LOW STRENGTH MATERIAL (CLSM) TO BOTTOM OF PAVEMENT.

FOR REPAIRS BENEATH SURFACES OTHER THAN PAVEMENTS:

6. BEDDING FOR NEW PIPE AND COUPLINGS/FITTINGS SHALL BE CLSM TO ONE-HALF OF PIPE DIAMETER. REMAINING BEDDING, BACKFILL AND COMPACTION SHALL BE IN COMPLIANCE WITH THE SPECIFICATIONS.

7. FOR ALL REPAIRS, CLSM BEDDING AND BACKFILL SHALL EXTEND 6-INCHES FROM NEW COUPLINGS/FITTINGS.



SEWER SPOT REPAIR DETAIL
NOT TO SCALE

FILE NAME = r3ndrain.deta116.new.dgn	USER NAME = weaverlg	DESIGNED - S. FAHNESTOCK	REVISED -	STATE OF ILLINOIS DEPARTMENT OF TRANSPORTATION	SEWER REPAIR DETAILS	F.A. RTE. 788	SECTION 520-2-2	COUNTY MADISON	TOTAL SHEETS 173	SHEET NO. 136	
PLOT SCALE = #SCALE#	CHECKED - M. RADAKE	DRAWN - A. FREY	REVISED -			SCALE: NONE	SHEET NO. 6 OF 7 SHEETS	STA.	TO STA.	FED. ROAD DIST. NO.	ILLINOIS FED. AID PROJECT
PLOT DATE = 02/02/2009	DATE - 02/06/2009	CHECKED - M. RADAKE	REVISED -			CONTRACT NO. 76633					
		DESIGNED - S. FAHNESTOCK	REVISED -								