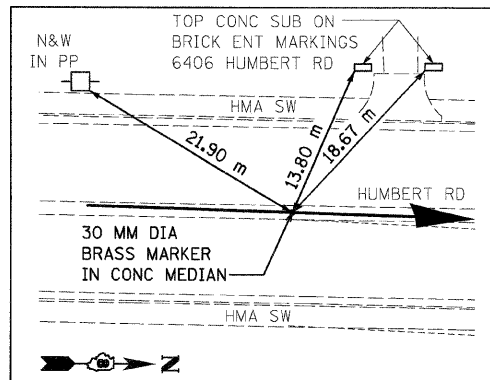
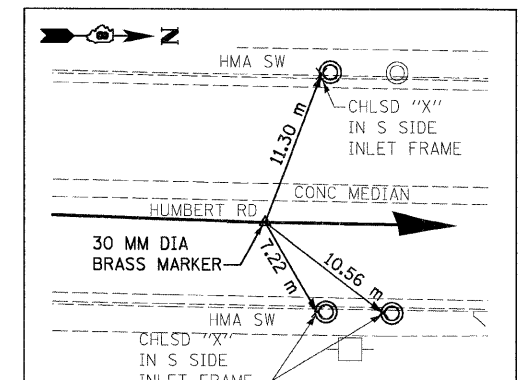


F.A.P. RTE.	SECTION	COUNTY	TOTAL SHEETS	SHEET NO.
310	60-15-1, 60-15HB-1	MADISON	238	25
STA.		TO STA.		
FED. ROAD DIST. NO.		ILLINOIS FED. AID PROJECT		
CONTRACT NO. 76635				



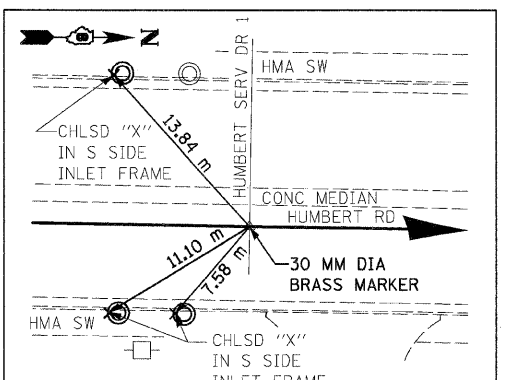
HUMBERT RD PI STA 19+605

N 254,583.0037 E 698,820.0350



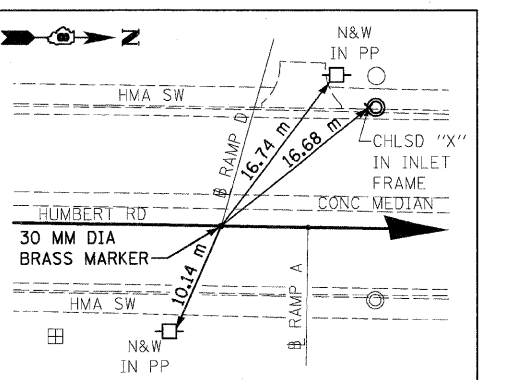
HUMBERT RD POT STA 19+735

N 254,712.9327 E 698,824.3285



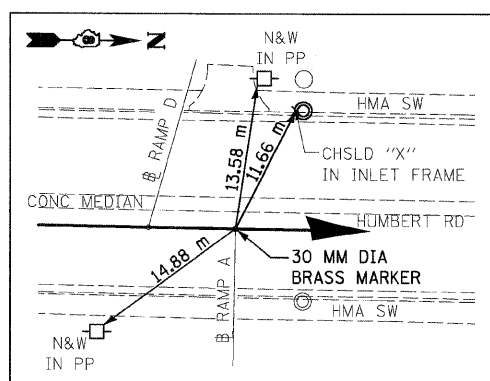
HUMBERT RD POT STA 19+748.469
= HUMBERT SERV DR 1
PI STA 40+000

N 254,726.3994 E 698,824.5517



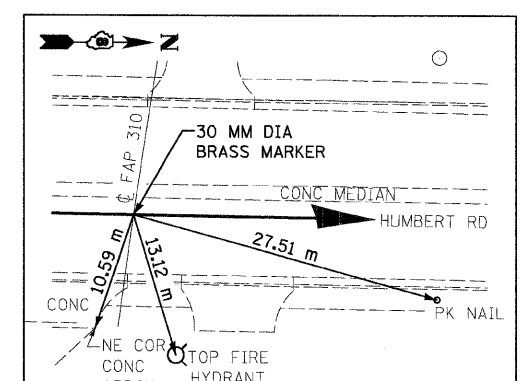
HUMBERT RD POT STA 19+890.477
= RAMP D PI STA 0+418.877

N 254,868.3883 E 698,826.9048



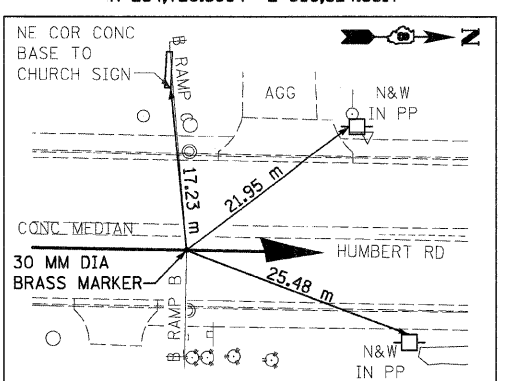
HUMBERT RD POT STA 19+898.100
= RAMP A PI STA 0+000

N 254,876.0104 E 698,827.0311



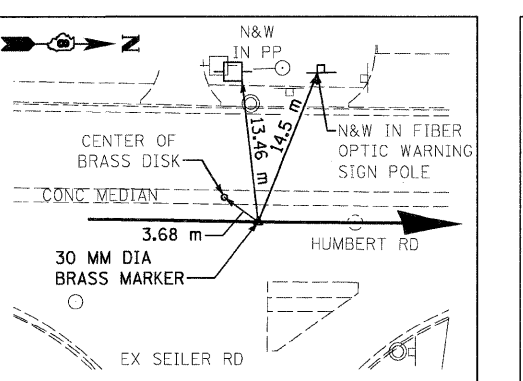
HUMBERT RD POT STA 20+000 =
FAP 310 POT STA 38+829.909

N 254,977.8964 E 698,828.7196



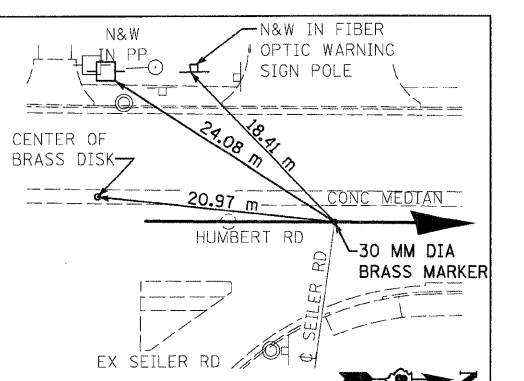
HUMBERT RD POT STA 20+104.827=
RAMP C PI STA 0+000 =
RAMP D PI STA 0+591.508

N 255,082.7092 E 698,830.4566



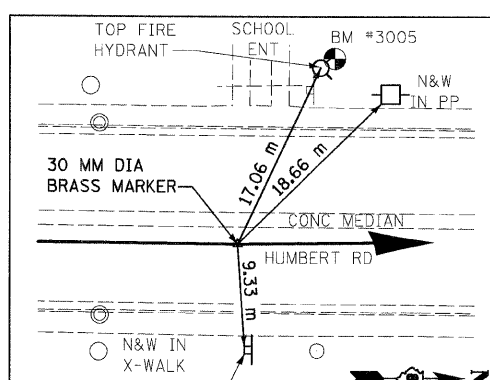
HUMBERT RD POT STA 20+251.50

N 255,229.3618 E 698,832.8870



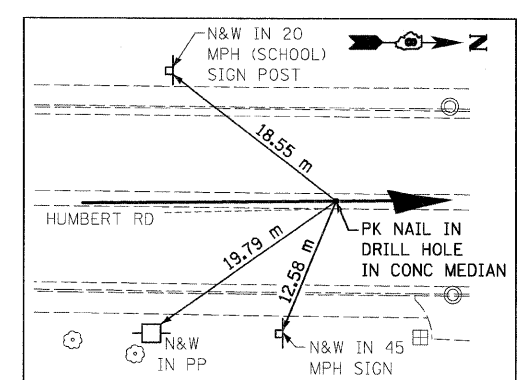
HUMBERT RD POT STA 20+269.319
= SEILER RD PI STA 1+000

N 255,247.1800 E 698,833.0209



HUMBERT RD POT STA 20+335

N 255,312.8595 E 698,833.5144



HUMBERT RD POT STA 20+465

N 255,442.8543 E 698,832.3511

REVISIONS	
NAME	DATE

ILLINOIS DEPARTMENT OF TRANSPORTATION
HORIZONTAL CONTROL POINTS
FAP 310 (IL 255)
SECTIONS 60-15-1, 60-15HB-1
MADISON COUNTY
DRAWN BY CES
CHECKED BY
DATE