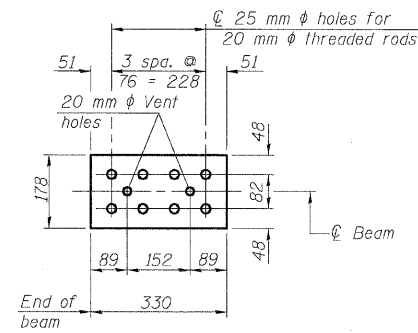


12/02/07 12:02:49 PM

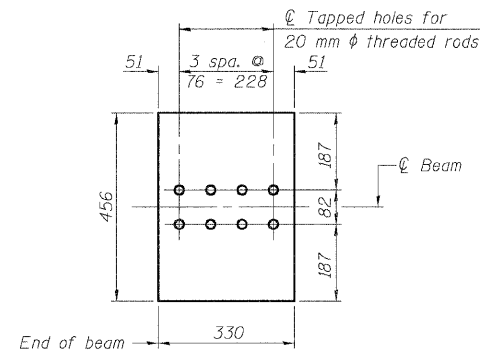
p:\00files\2002\24\humber-t-bridge\bridge-plans\060-0308gr-dets.dgn

ROUTE NO.	SECTION	COUNTY	TOTAL SHEETS	SHEET NO.	SHEET NO. 27 48 SHEETS
S.D.I. F.A.P. 310	*	MADISON	239	149	
FED. ROAD DIST. NO. 7		ILLINOIS	FED. AID PROJECT		

\* 60-15HB-1 CONTRACT NO. 76635

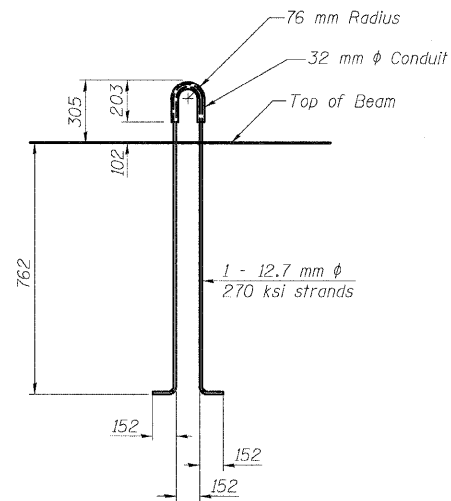


**TOP PLATE**



**BOTTOM PLATE**

See bearing details for pintle hole locations when required.



**LIFTING LOOP DETAIL**

**NOTES**

All inserts and threaded dowel rods for inserts, reinforcing and Prestressing Steel, and other items which are cast into the Precast Concrete I-Beams shall be included in the contract unit price per meter of "Furnishing and Erecting Precast Prestressed Concrete I-Beams, 914 mm."

Inserts for 20 mm threaded dowel rods are to be two strut, coil type for interior Beams and single coil, flared loop type for exterior Beams.

Prestressing steel shall be uncoated high strength, low relaxation 7-wire strand (Fu=1860 MPa).

The nominal diameter shall be 12.7 mm and the nominal cross-sectional area shall be 98.71 mm<sup>2</sup>.

Non-prestressing steel shall conform to ASTM A706M (IL MOD) Grade 420. Lifting loops shall be 1-12.7 mm diameter strands (Fu=1860 MPa), as shown. Required release strength, f'ci, shall be 35 MPa.

All dimensions are in millimeters (mm) except as noted.

See Sheet 3 of 48 for P.P.C. I-Beam Framing Plan

A minimum 63 mm diameter lifting pin shall be used to engage the lifting loops during handling.

The top and bottom plates shall be AASHTO M270M Grade 345.

The bottom plates and studs shall be galvanized according to AASHTO M11.

Threaded rods shall be ASTM F 1554 Grade 380 MPa

DESIGNED	ADL
CHECKED	WLW
DRAWN	ADL/DGM
CHECKED	WLW

**36" P.P.C. I-BEAM DETAILS  
(WEST APPROACHES)  
FAP RTE. 310 (IL RTE. 255) OVER  
CH ROUTE 4 (HUMBERT ROAD)  
SECTION 60-15HB-1  
MADISON COUNTY  
STATION 38+829.909  
SN 060-0308 (NB) & 060-0309 (SB)**

Klingner & Assoc., P.C.