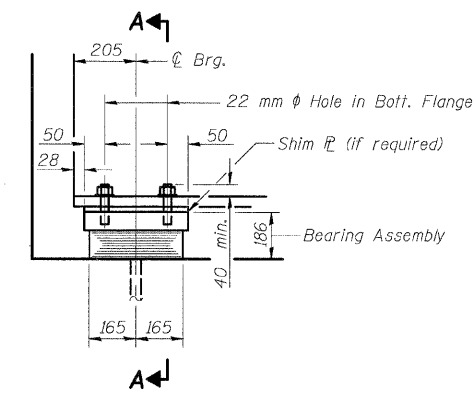
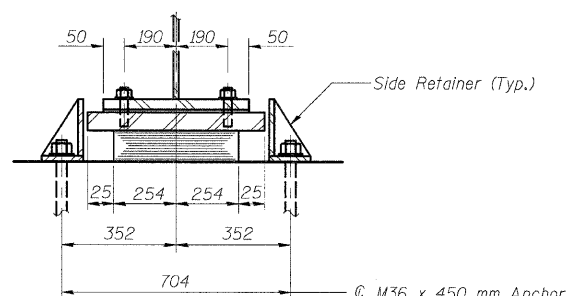


12/10/2007 12:02:49 PM

ROUTE NO.	SECTION	COUNTY	SHEET	SHEET NO.
F.A.P. 310	*	MADISON	239 150	48 SHEETS
FED. ROAD DIST. NO. 7		ILLINOIS PROJECT		
* 60-15HB-1 CONTRACT NO. 76635				

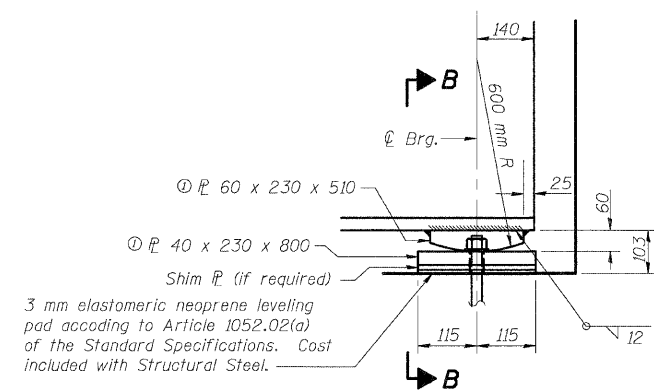


**ELEVATION AT E. ABUT.**

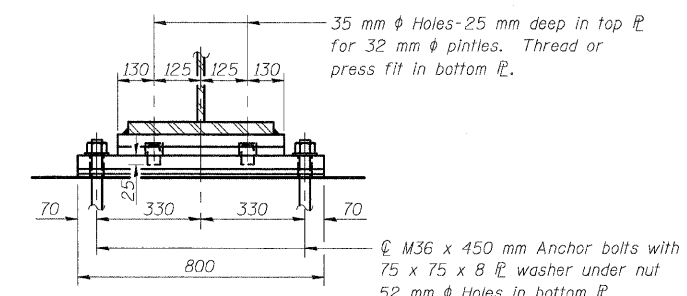


**SECTION A-A**

**TYPE I ELASTOMERIC EXP. BRG.**

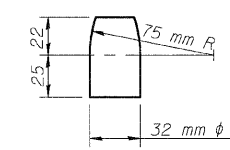


**ELEVATION AT W. ABUT.**

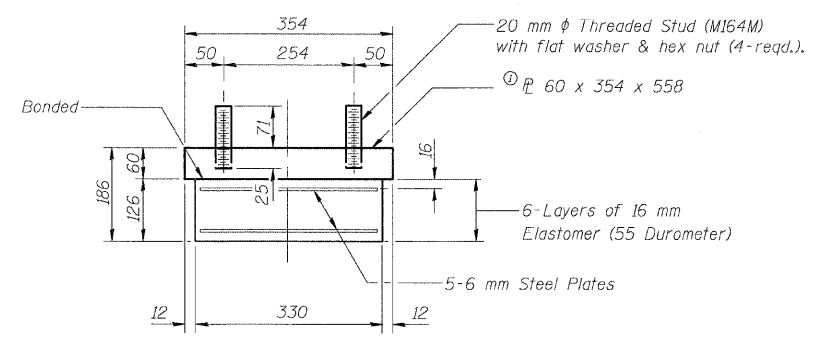


**SECTION B-B**

**FIXED BEARING**  
(12-Req'd)



**PINTLE**  
(24-Req'd)

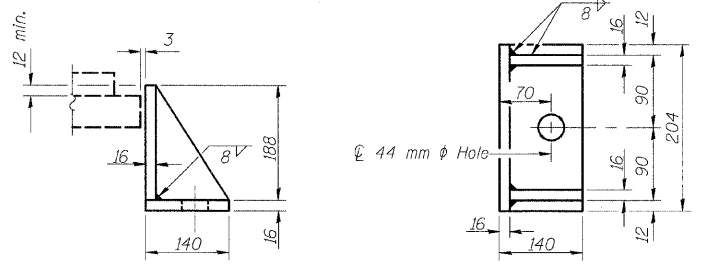


**BEARING ASSEMBLY**  
(12-Req'd)

Note: Shim plates shall not be placed under Bearing Assembly.

① Steel Plates shall conform to the requirements of AASHTO M270M Grade 345.

Notes: Anchor bolts of fixed bearings may be built into the masonry. See sheet 44 of 48 for Anchor Bolt installation.



**SIDE RETAINER**

Equivalent rolled angle with stiffeners will be allowed in lieu of welded plates. Weight included with Structural Steel. (24 Req'd)

DESIGNED	ADL
CHECKED	WLW
DRAWN	ADL/DGM
CHECKED	WLW

I-2-E1 (M) 4-30-99

**BILL OF MATERIAL**

Item	Unit	Total
Elastomeric Bearing Assembly Type 1	Each	12

**BEARING DETAILS**  
FAP RTE. 310 (IL RTE. 255) OVER  
CH ROUTE 4 (HUMBERT ROAD)  
SECTION 60-15HB-1  
MADISON COUNTY  
STATION 38+829.909  
SN 060-0308 (NB) & 060-0309 (SB)

Klingner & Assoc., P.C.