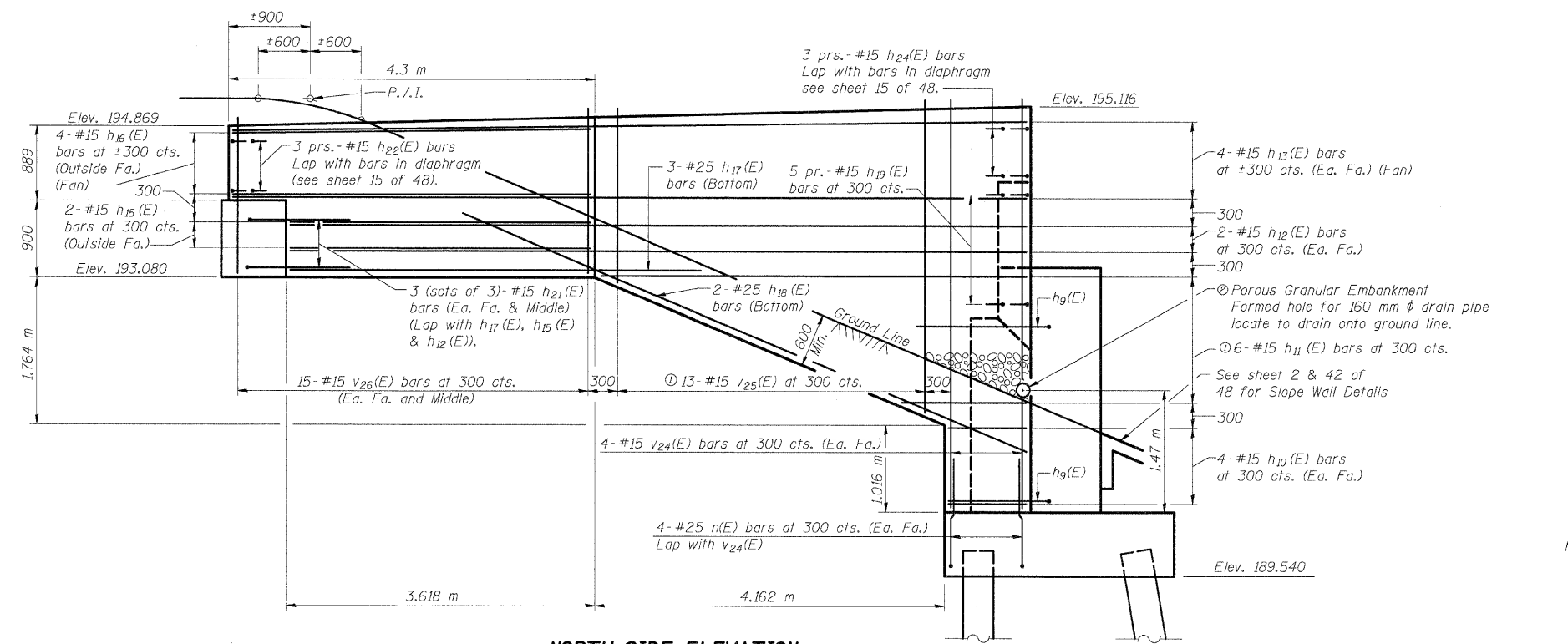


ROUTE NO.	SECTION	COUNTY	TOTAL SHEETS	SHEET NO.
S.A.P.	310	MADISON	239	153
FED. ROAD DIST. NO. 7	ILLINOIS	FED. AID PROJECT		

* 60-15HB-1 CONTRACT NO. 76635

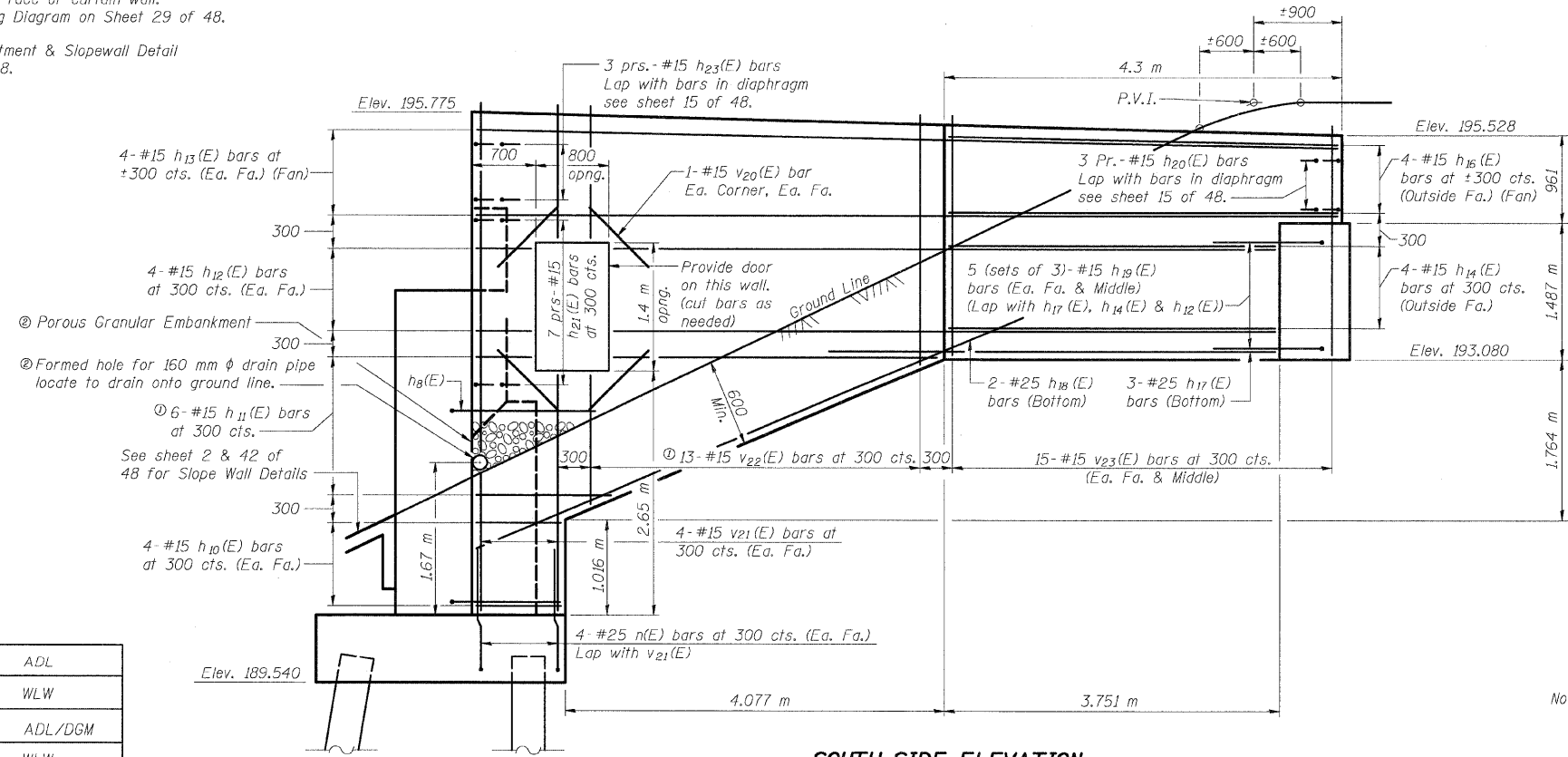
SHEET NO. 31
48 SHEETS



NORTH SIDE ELEVATION
(Looking South)

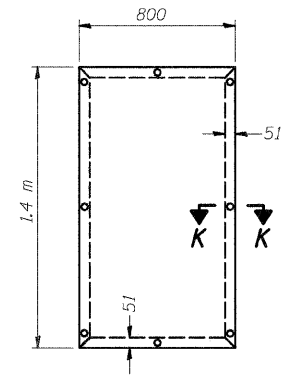
① Order h₁₁(E), v₂₂(E) & v₂₅(E) bars full length cut to fit as shown and use remainder of bars in opposite face of curtain wall. See Field Cutting Diagram on Sheet 29 of 48.

② See Vaulted Abutment & Slope Wall Detail on sheet 2 of 48.

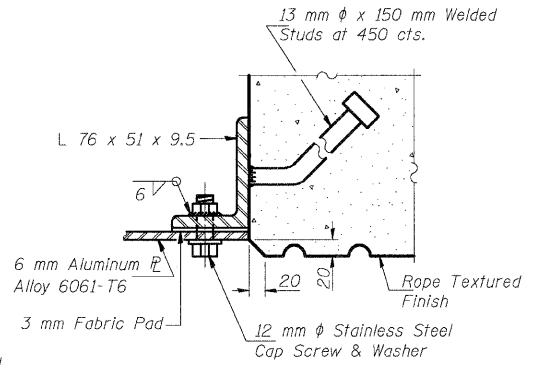


SOUTH SIDE ELEVATION
(Looking North)

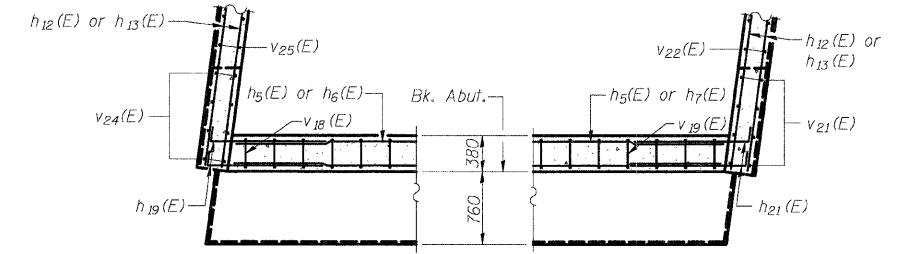
DESIGNED	ADL
CHECKED	WLW
DRAWN	ADL/DGM
CHECKED	WLW



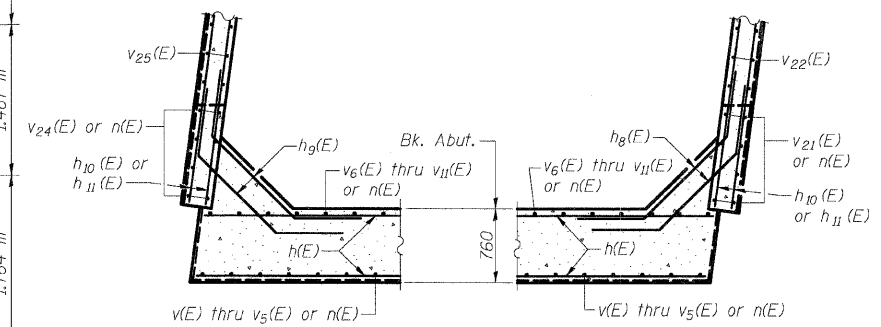
DOOR ELEVATION
Cost of door and frame are included with "Concrete Structures".



SECTION K-K



SECTION J-J



SECTION I-I

**N.B. EAST ABUTMENT (3 OF 3)
FAP RTE. 310 (IL RTE. 255) OVER
CH ROUTE 4 (HUMBERT ROAD)
SECTION 60-15HB-1
MADISON COUNTY
STATION 38+829.909
SN 060-0308 (NB) & 060-0309 (SB)**

Note:
Work this sheet with sheets 29 & 30 of 48.