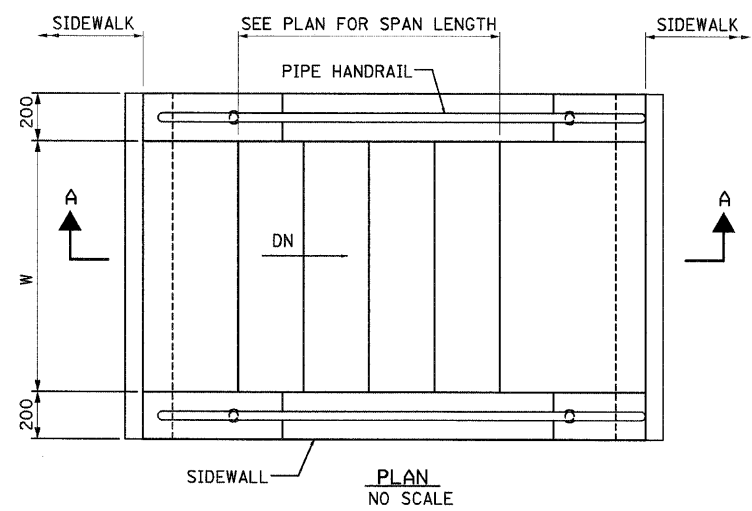
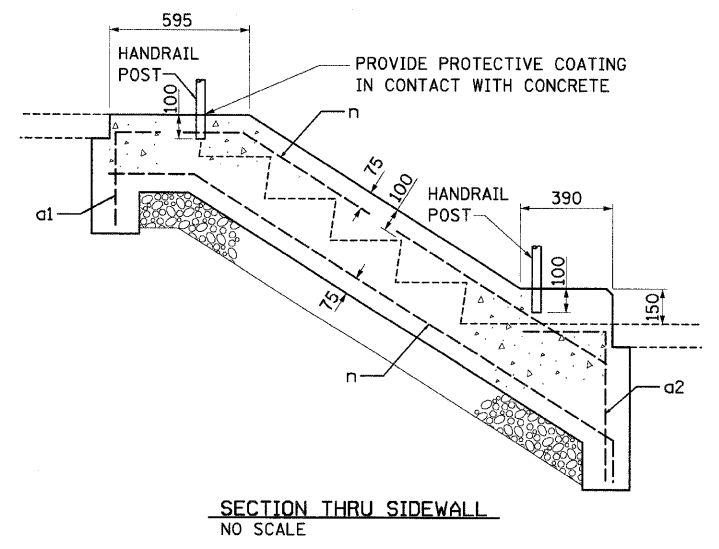
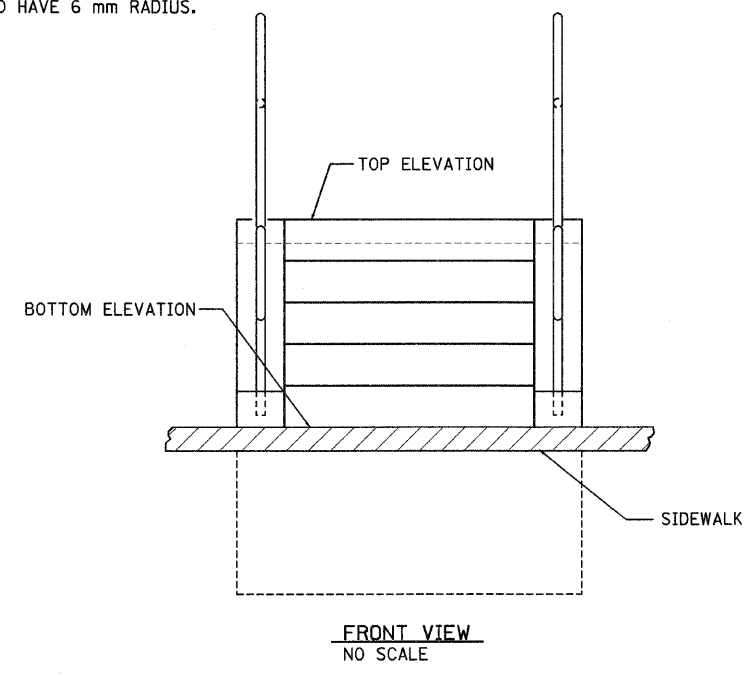
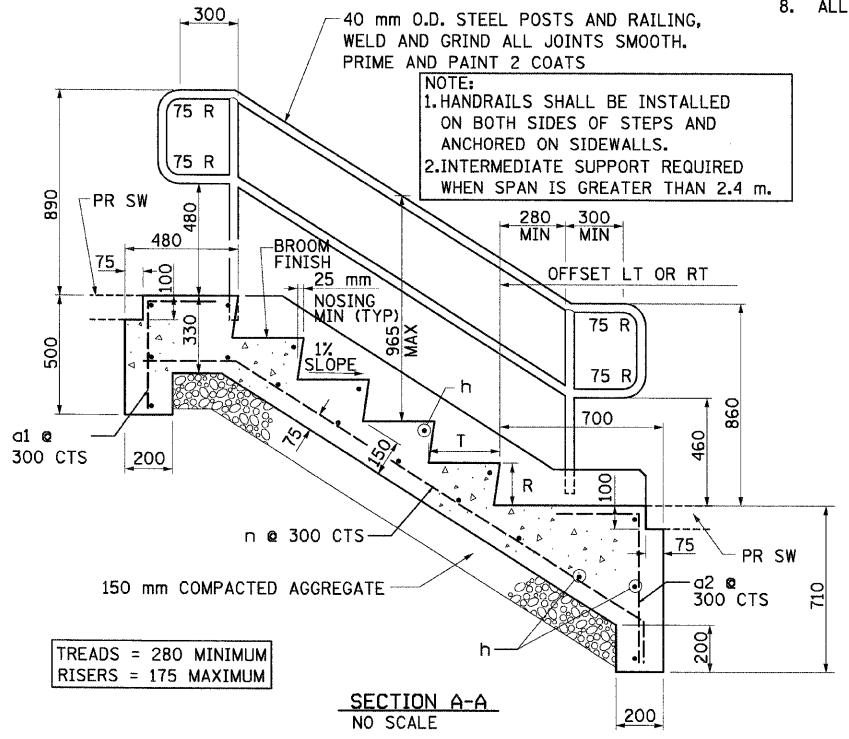


F.A.P. RTE.	SECTION	COUNTY	TOTAL SHEETS	SHEET NO.
310	60-15-1, 60-15HB-1	MADISON	238	174
STA.		TO STA.		
FED. ROAD DIST. NO.	ILLINOIS	FED. AID PROJECT		
CONTRACT NO. 76635				

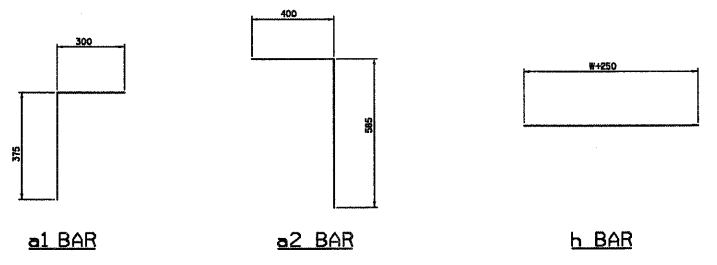


- NOTES:**
- REMOVAL OF EXISTING SIDEWALK ABUTTING STEPS IS PAID AT THE CONTRACT UNIT PRICE PER SQUARE METER FOR SIDEWALK REMOVAL.
 - ALL EXCAVATION NECESSARY TO CONSTRUCT STEPS SHALL BE CONSIDERED INCLUDED IN THE UNIT PRICE BID PER CUBIC METER FOR CONCRETE STEPS.
 - WORK SHOWN HEREON WILL BE PAID FOR AT THE CONTRACT UNIT PRICE PER CUBIC METER FOR CONCRETE STEPS.
 - REINFORCEMENT BARS SHALL BE CONSIDERED INCLUDED IN THE UNIT PRICE BID PER CUBIC METER FOR CONCRETE STEPS AND SIDEWALLS.
 - A MINIMUM OF 40 mm CLEARANCE SHALL BE PROVIDED FOR REINFORCEMENT.
 - MINIMUM "W" = 800 mm (ABUTTING BUILDING - MINIMUM "W" = 1220 mm)
MINIMUM "T" = 280 mm
MINIMUM "R" = 150 mm, MAXIMUM "R" = 175 mm
 - HANDRAIL REQUIRED WHENEVER THERE ARE THREE OR MORE RISERS. HANDRAIL REQUIRED BOTH SIDES IF STEPS ADJACENT TO STRUCTURE AND MORE THAN 2 RISERS OR STEP WIDTH GREATER THAN 1120 mm.
 - ALL STEP NOSINGS TO HAVE 6 mm RADIUS.
 - THE UNIT COST PER LINEAL METER FOR PIPE HANDRAIL SHALL INCLUDE FURNISHING AND INSTALLING THE POSTS, SLEEVES, FITTINGS, GROUT, AND PIPE. THE CONTRACTOR SHALL DETERMINE THE EXACT PIPE LENGTHS IN THE FIELD.
 - HANDRAIL SHALL BE 40 mm IRON OR APPROVED EQUAL. FITTINGS MAY BE THREADED AND ADJUSTABLE OR A WELDED ASSEMBLY.
 - HANDRAIL TO RECEIVE SANDING AND TWO COATS OF RUST-INHIBITIVE PAINT.
 - SIDEWALL REQUIRED EACH SIDE WHEN THE NUMBER OF RISERS > 2.



CONSTRUCTION SCHEDULE

LOCATION	OFFSET	W mm	T mm	R mm	SIDEWALL REQUIRED	NO. OF RISERS	ELEVATION		h BAR			a1 BARS			a2 BARS			n BARS			REINF kg	CONC cu m	HANDRAIL m
							BOTTOM	TOP	QTY	SIZE	LENGTH	QTY	SIZE	LENGTH	QTY	SIZE	LENGTH	QTY	SIZE	LENGTH			
20+434.8	10.4 m RT	1000	300	160	YES	6	189.34	190.30	20	*15	1250	5	*15	675	5	*15	985	7	*20	2850	99.3	1.4	2.6
TOTAL																					99.3	1.4	2.6



REVISIONS	
NAME	DATE

ILLINOIS DEPARTMENT OF TRANSPORTATION
 MISCELLANEOUS DETAILS
 FAP 310 (IL 255)
 SECTIONS 60-15-1, 60-15HB-1
 MADISON COUNTY
 DRAWN BY
 CHECKED BY
 DATE

p:\00files\0024\dhumbert\detailsmisc\miscdet015b3.dgn