

**LEGEND**

- ① EXISTING AGGREGATE BASE COURSE, ±4"
- ② EXISTING CONCRETE PAVEMENT, 10"-13"
- ③ EXISTING HOT-MIX ASPHALT SURFACE, ±3"
- ④ EXISTING PAVED SHOULDER, 8"-13"
- ⑤ EXISTING CURB AND GUTTER
- ⑥ EXISTING AGGREGATE SHOULDER, 6"
- ⑦ PCC PAVEMENT 10 1/4" (JOINTED)
- ⑧ HOT-MIX ASPHALT BINDER COURSE IL19, N90, 17 1/2"
- ⑨ NOT USED
- ⑩ COMBINATION CONCRETE CURB AND GUTTER
- ⑪ CONCRETE MEDIAN SURFACE, 4"
- ⑫ HOT-MIX ASPHALT SHOULDERS, 8"
- ⑬ AGGREGATE SHOULDERS, TYPE A, 6"
- ⑭ DITCH
- ⑮ HOT-MIX ASPHALT PAVEMENT (FULL-DEPTH)
- ⑯ PORTLAND CEMENT CONCRETE SHOULDERS, 10 1/4"
- ⑰ STABILIZED SUB-BASE, 4"
- ⑱ LIME MODIFIED SOIL, 12"
- ⑲ POLYMERIZED HOT-MIX ASPHALT SURFACE COURSE, MIX E, N90, 1 1/2"
- ⑳ LEVELING BINDER (MACHINE METHOD), N90, 1"
- ㉑ TIE BAR
- ㉒ STRIP REFLECTIVE CRACK CONTROL
- ㉓ PIPE UNDERDRAINS, 4"
- ㉔ AGGREGATE BASE COURSE, TYPE A, 12"
- ㉕ LONGITUDINAL SAWED JOINT \*6 TIE BARS @ 30" LONG, 24" C.C. EPOXY COATED, DEFORMED INCLUDED IN JOINTED PAVEMENT 10 1/4".
- ㉖ LONGITUDINAL CONSTRUCTION JOINT \*8 TIE BARS @ 24" LONG, 24" C.C. EPOXY COATED, DEFORMED INCLUDED IN JOINTED PAVEMENT 10 1/4".
- ㉗ AGGREGATE BASE COURSE, TYPE A, VARIABLE DEPTH

\* PROPOSED DITCH BETWEEN FRONTAGE RD. AND RAMP OR I-70 WILL BE 4' IN BOTTOM WIDTH.

\*\* INCLUDES 2" OF THE BITUMINOUS SURFACE COURSE

**NOTES:**

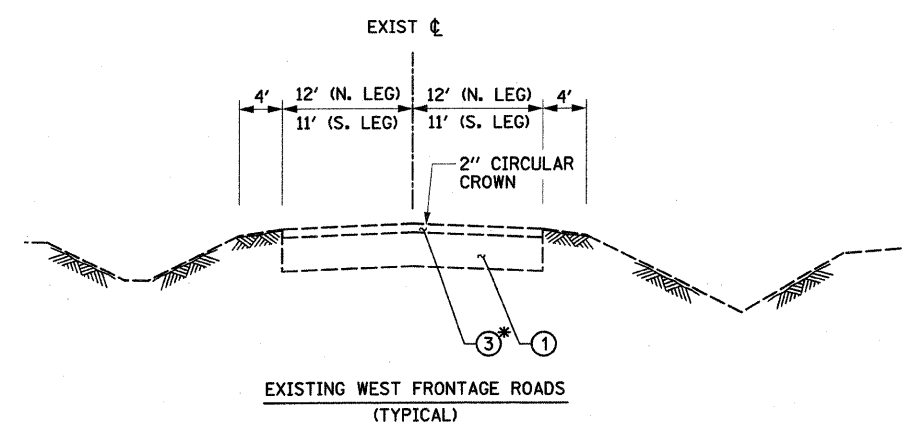
- 1. GAPS IN PROPOSED TYPICAL SECTIONS STATIONING REFLECT TRANSITION AREAS OR INTERSECTION OMISSIONS. FOR MORE INFORMATION, SEE PLANS.
- 2. FOR MORE INFO ON RIGHT TURN LANE LOCATION, SEE PROPOSED PLANS.
- 3. FOR COMBINATION CURB AND GUTTER TYPES, SEE PROPOSED PLANS.

ILLINOIS DEPARTMENT OF TRANSPORTATION  
**EXISTING AND PROPOSED  
 TYPICAL SECTIONS-FRONTAGE RD.**

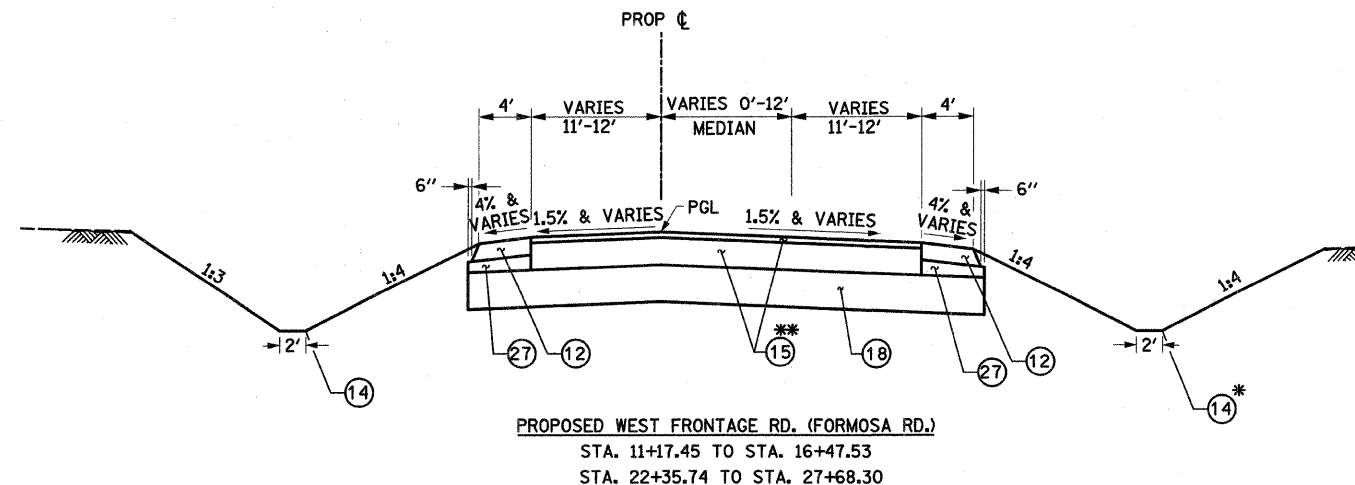
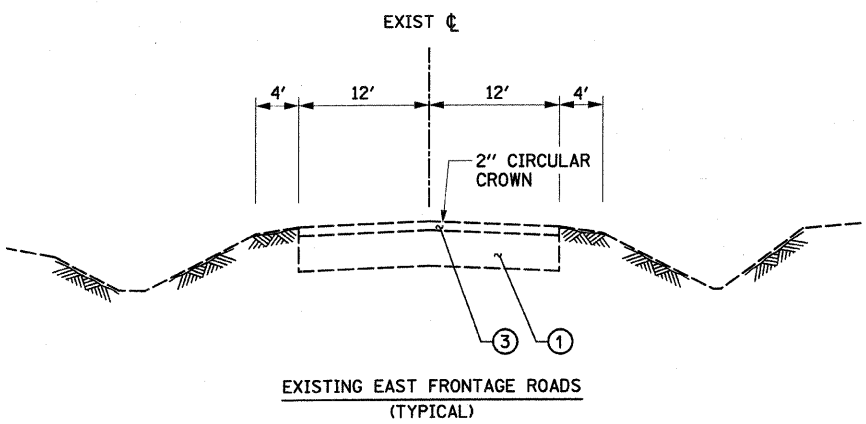
FAI ROUTE 70  
 SECTION 60-10K-1, 60-10HB  
 MADISON COUNTY

DRAWN BY: GRH

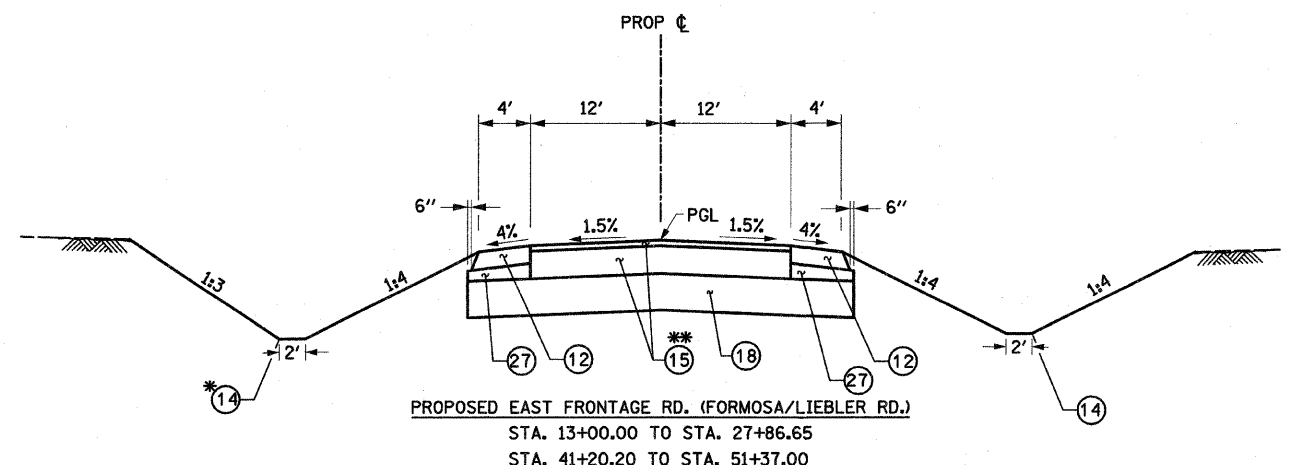
PLOT DATE: \*DATE-TIME\*



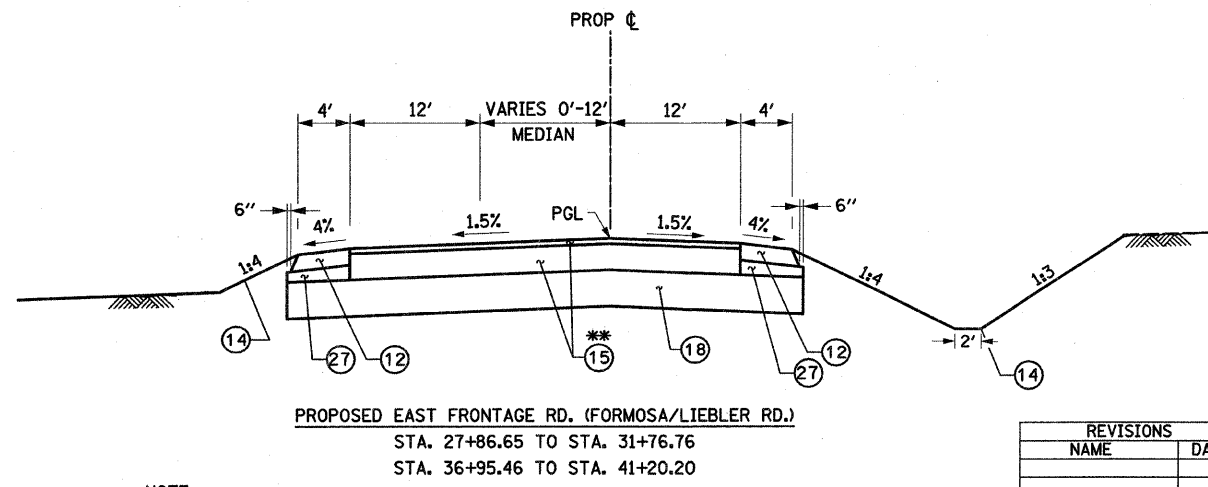
\* EXISTING CONCRETE PAVEMENT WITHOUT BITUMINOUS SURFACE (NORTH LEG)



NOTE:  
 STA. 11+17.45 TO STA. 17+73.45 HOT-MIX ASPHALT PAVEMENT 9 1/2" (FULL-DEPTH)  
 STA. 21+15.04 TO STA. 27+68.30 HOT-MIX ASPHALT PAVEMENT 14" (FULL-DEPTH)



NOTE:  
 STA. 13+00.00 TO STA. 27+86.65 HOT-MIX ASPHALT PAVEMENT 11 3/4" (FULL-DEPTH)  
 STA. 41+20.20 TO STA. 51+37.00 HOT-MIX ASPHALT PAVEMENT 15 1/2" (FULL-DEPTH)



NOTE:  
 STA. 27+86.65 TO STA. 33+77.28 HOT-MIX ASPHALT PAVEMENT 11 3/4" (FULL-DEPTH)  
 STA. 36+64.43 TO STA. 41+20.20 HOT-MIX ASPHALT PAVEMENT 15 1/2" (FULL-DEPTH)

WEST FRONTAGE RD (STA. 21+15.04 TO STA. 27+68.30)

STRUCTURAL DESIGN TRAFFIC:	Year: 2016
PV = 2142	SU= 340
MU= 918	
ROAD/STREET CLASSIFICATION:	Class II
PERCENT OF STRUCTURAL DESIGN TRAFFIC IN DESIGN LANE:	
P = 50	S = 50
M = 50	
TRAFFIC FACTOR:	Actual TF = 3.92
	AC Type = 20
	Minimum TF = N/A
PG GRADE:	Blnder = 64-22
	Surface = 64-22
SUBGRADE SUPPORT RATING:	SSR = POOR

EAST FRONTAGE RD (STA. 36+64.43 TO STA. 51+37.00)

STRUCTURAL DESIGN TRAFFIC:	Year: 2016
PV = 3037	SU= 477
MU= 1506	
ROAD/STREET CLASSIFICATION:	Class II
PERCENT OF STRUCTURAL DESIGN TRAFFIC IN DESIGN LANE:	
P = 50	S = 50
M = 50	
TRAFFIC FACTOR:	Actual TF = 6.34
	AC Type = 20
	Minimum TF = N/A
PG GRADE:	Blnder = 64-22
	Surface = 64-22
SUBGRADE SUPPORT RATING:	SSR = POOR

WEST FRONTAGE RD (STA. 11+17.45 TO STA. 17+73.45)

STRUCTURAL DESIGN TRAFFIC:	Year: 2016
PV = 3622	SU= 201
MU= 46	
ROAD/STREET CLASSIFICATION:	Class II
PERCENT OF STRUCTURAL DESIGN TRAFFIC IN DESIGN LANE:	
P = 50	S = 50
M = 50	
TRAFFIC FACTOR:	Actual TF = 0.41
	AC Type = 20
	Minimum TF = N/A
PG GRADE:	Blnder = 64-22
	Surface = 64-22
SUBGRADE SUPPORT RATING:	SSR = POOR

EAST FRONTAGE RD (STA. 13+00.00 TO STA. 33+77.28)

STRUCTURAL DESIGN TRAFFIC:	Year: 2016
PV = 1984	SU= 247
MU= 369	
ROAD/STREET CLASSIFICATION:	Class II
PERCENT OF STRUCTURAL DESIGN TRAFFIC IN DESIGN LANE:	
P = 50	S = 50
M = 50	
TRAFFIC FACTOR:	Actual TF = 1.70
	AC Type = 20
	Minimum TF = N/A
PG GRADE:	Blnder = 64-22
	Surface = 64-22
SUBGRADE SUPPORT RATING:	SSR = POOR

REVISIONS	
NAME	DATE

DATE: \_\_\_\_\_  
 BY: \_\_\_\_\_  
 SURVEYED: \_\_\_\_\_  
 ALIGNED: \_\_\_\_\_  
 CHECKED: \_\_\_\_\_  
 DRAWN: \_\_\_\_\_  
 PLAN NO.: \_\_\_\_\_  
 NOTE BOOK NO.: \_\_\_\_\_  
 FILE NAME: \_\_\_\_\_

NON-SPEC  
 REF-  
 REF-