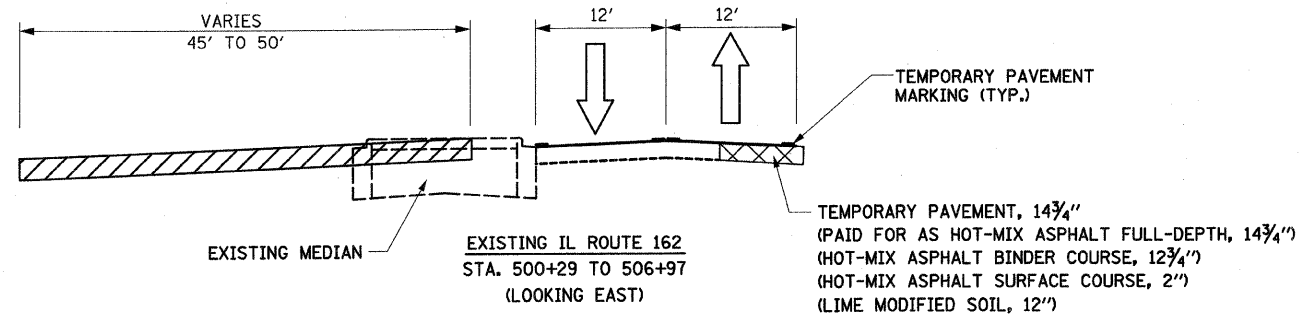
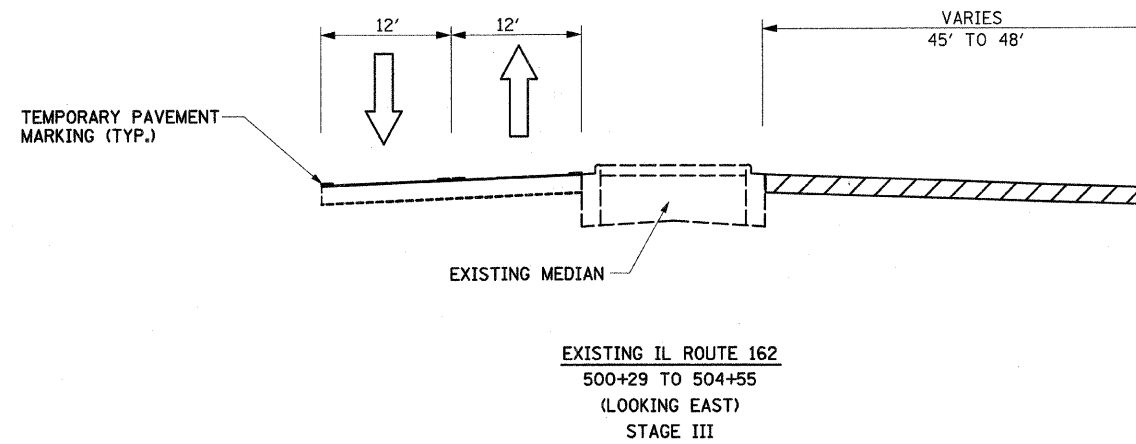
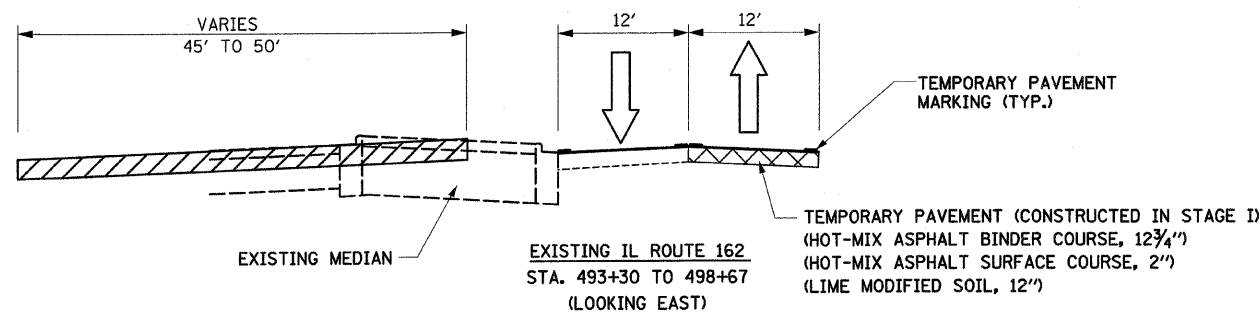
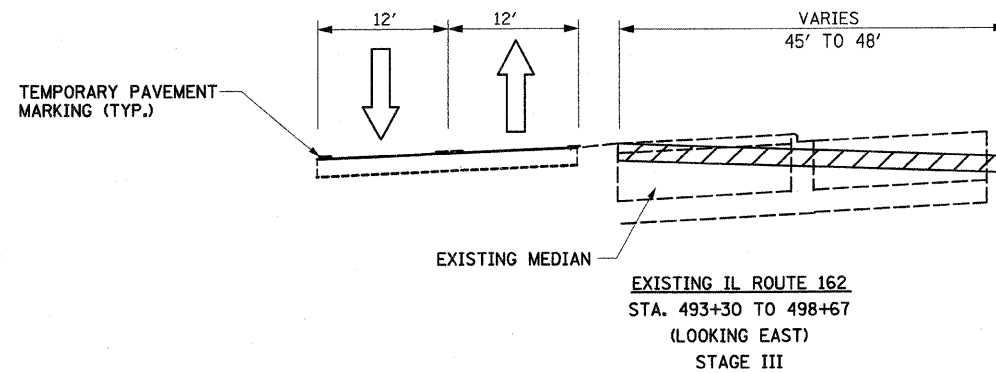
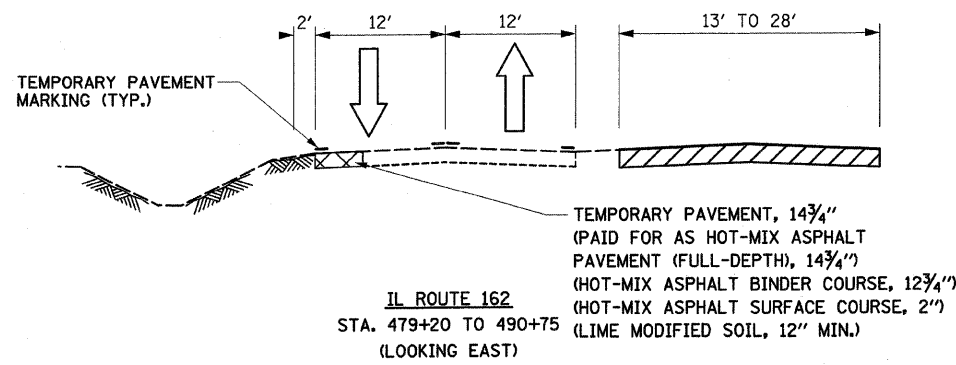


FAI ROUTE	SECTION	COUNTY	TOTAL SHEETS	SHEET NO.
70	*	MADISON	420	64
STA. 11+17.45		TO STA. 51+37.00		
CONTRACT NO.: 76709				
* 60-10K-1, 60-10HB				



PLAN	REVISIONS	DATE
NO.	NO.	
BY	BY	
DATE	DATE	
NO.	NO.	
BY	BY	
DATE	DATE	
NO.	NO.	
BY	BY	
DATE	DATE	
NO.	NO.	
BY	BY	
DATE	DATE	
NO.	NO.	

REVISIONS	
NAME	DATE

ILLINOIS DEPARTMENT OF TRANSPORTATION
MAINTENANCE OF TRAFFIC - 3
TYPICAL SECTIONS STAGE II & III
IL ROUTE 162

FAI ROUTE 70
SECTION 60-10K-1, 60-10HB
MADISON COUNTY

DRAWN BY: GRH
PLOT DATE: *DATE-TIME*

DON-SPEC
REF-REF