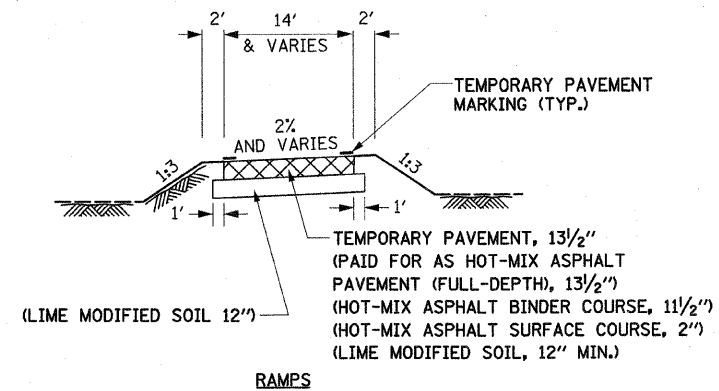
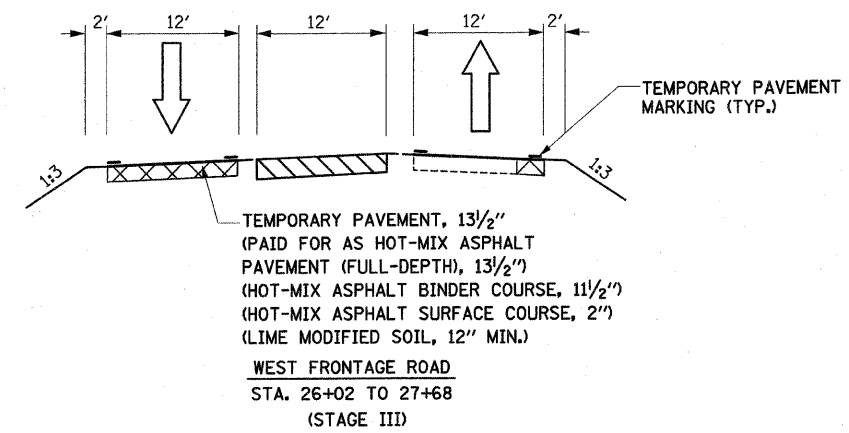
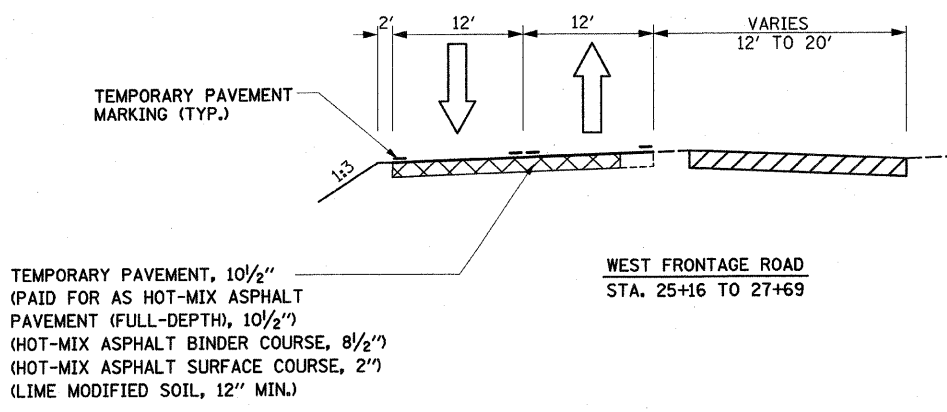
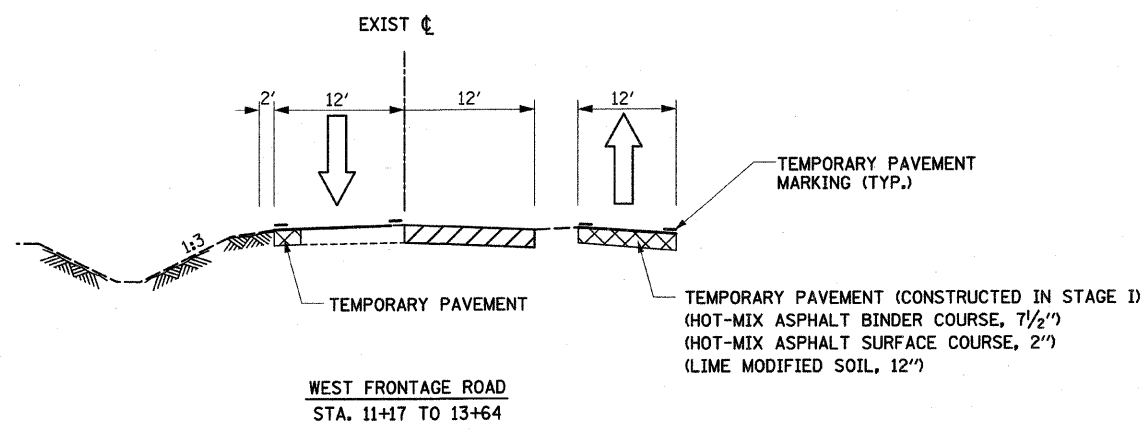
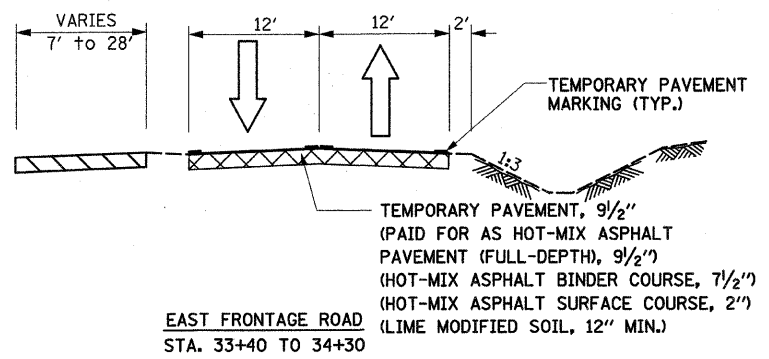
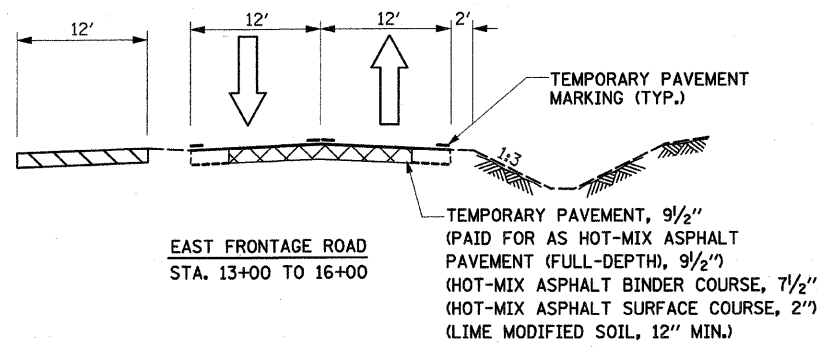


DATE	
BY	
REVISIONS	
PLANNED	
ALIGNED	
CHECKED	
DESIGNED	
PAID FILE NAME	
PLAN	
NOTE BOOK	
NO.	



REVISIONS	
NAME	DATE

ILLINOIS DEPARTMENT OF TRANSPORTATION  
**MAINTENANCE OF TRAFFIC - 4**  
**TYPICAL SECTIONS STAGE II & III**  
**FRONTAGE ROADS**

FAI ROUTE 70  
SECTION 60-10K-1, 60-10HB  
MADISON COUNTY

DRAWN BY: GRH  
PLOT DATE: \*DATE-TIME\*

\*DGN-SPEC\*  
\*REF-REF\*  
\*REF-REF\*