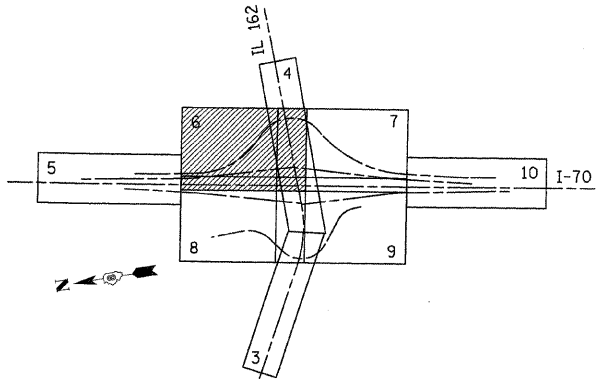


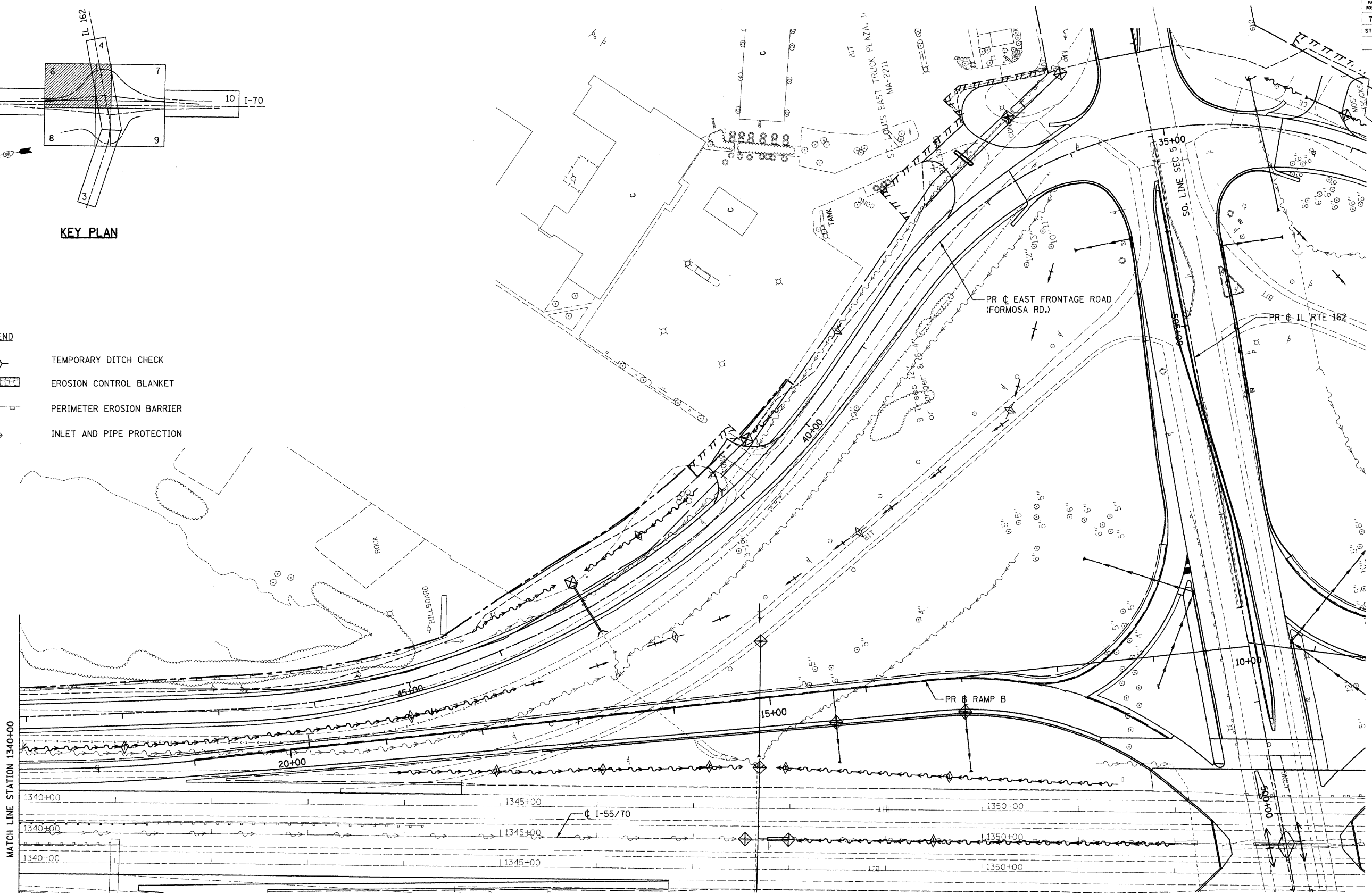
FAI ROUTE	SECTION	COUNTY	TOTAL SHEETS	SHEET NO.
70		MADISON	420	99
STA. 1340+00		TO STA. 1353+15.77		
CONTRACT NO. 76709				
• 60-10K-1, 60-10HB				



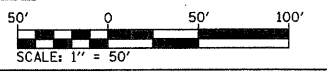
KEY PLAN

PLAN	DATE
SURVEYED	
PLOTTED	
NOTE BOOK	
NO.	
BY	
DATE	
BY	
DATE	
BY	
DATE	

- LEGEND**
- TEMPORARY DITCH CHECK
 - EROSION CONTROL BLANKET
 - PERIMETER EROSION BARRIER
 - INLET AND PIPE PROTECTION



- NOTES:**
- FOR DRAINAGE INFORMATION, SEE DRAINAGE PLANS.
 - PERIMETER EROSION BARRIER IS LOCATED ON TEMPORARY EASEMENT/PERMANENT EASEMENT/R.O.W. LINE, AS SHOWN ON THE PLANS.
 - FOR PERMANENT EROSION CONTROL INFORMATION, SEE SEEDING PLANS.
 - FOR EROSION CONTROL DURING STAGED CONSTRUCTION, SEE EROSION CONTROL AND TEMPORARY DRAINAGE PLAN.



REVISIONS	
NAME	DATE

ILLINOIS DEPARTMENT OF TRANSPORTATION
STORM WATER POLLUTION PREVENTION PLAN - 6

FAI ROUTE 70
 SECTION 60-10K-1, 60-10HB
 MADISON COUNTY

DRAWN BY: GRH
 PLOT DATE: *DATE-TIME*

DATE-TIME: *DATE-TIME*
 DIM-SPEC: *DATE-TIME*
 REF- 236c01.dgn
 REF- 236c01.dgn
 REF- 236c01.dgn
 REF- 236c01.dgn
 REF- 236c01.dgn
 REF- 236c01.dgn