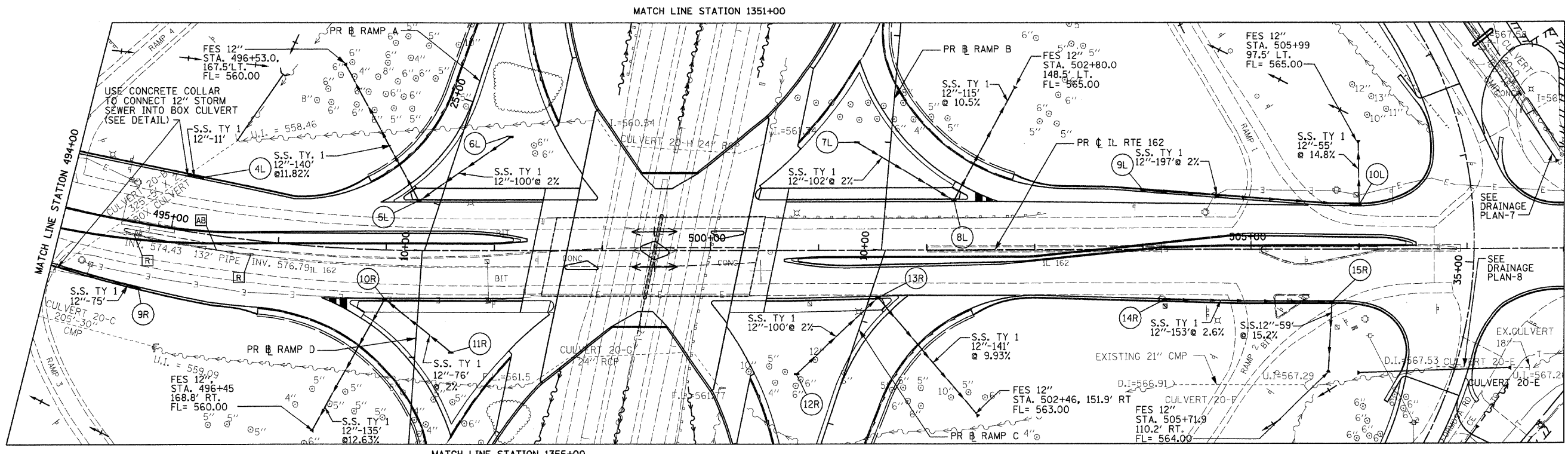


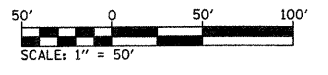
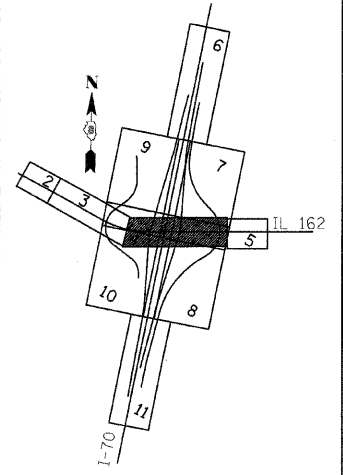
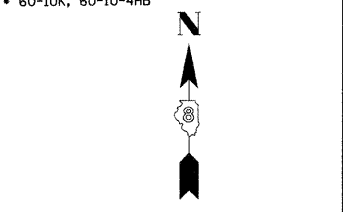
SECTION	COUNTY	TOTAL SHEETS	SHEET NO
TO	MADISON	420	107
STA. 494+00 TO STA. 507+90		CONTRACT NO. 76709	
• 60-10K, 60-10-4HB			

- 4L INLET TY A W/TY 3V FR & GR STA. 495+20, 49.8' LT GRATE= 580.00 INV.= 576.00
- 5L INLET TY B W/TY 3V FR & GR STA. 497+30, 45' LT GRATE= 585.18 INV.= 577.26
- 6L INLET TY A W/TY 8 GR STA. 498+15, 105' LT GRATE= 582.26 INV.= 579.26
- 7L INLET TY A W/TY 8 GR STA. 501+35, 100' LT GRATE=582.76 INV.= 579.76
- 8L INLET TY B W/TY 3V FR & GR STA. 502+25, 45' LT GRATE= 585.33 INV.= 577.72
- 9L INLET TY A W/TY 3V FR & GR STA. 504+00, 53.5' LT. GRATE=581.50 INV.= 578.00
- 10L INLET TY B W/TY 3V FR & GR STA. 506+00, 40.3' LT. GRATE=577.31 INV.= 574.00

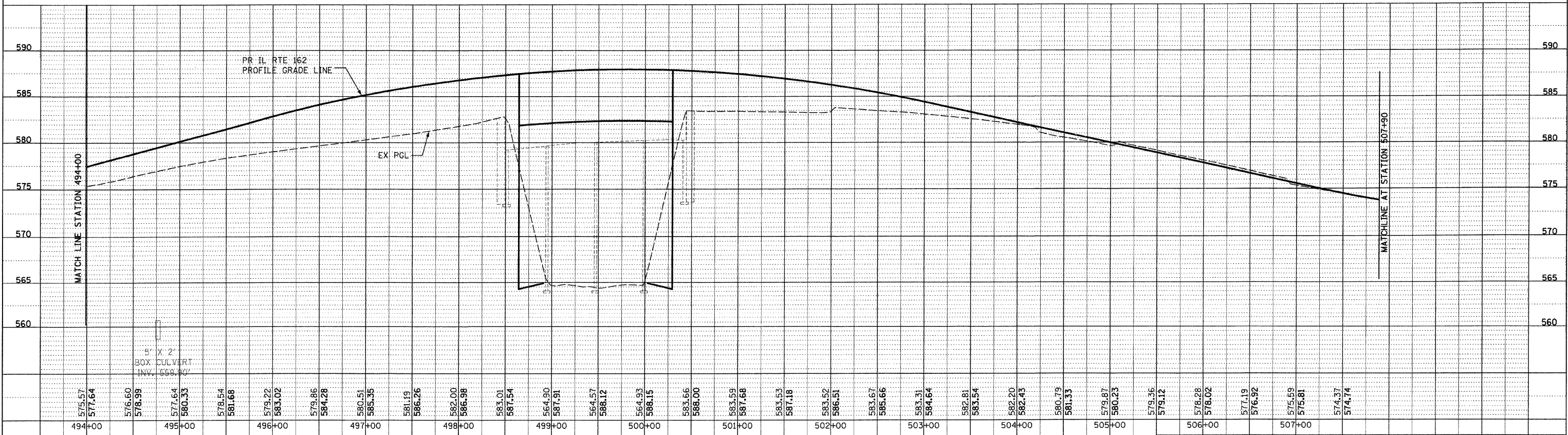
PLAN	DATE
BY	
CHECKED	
DATE	
NO.	



- 9R INLET TY A W/TY 3V FR & GR STA. 494+80, 59.3' RT. GRATE= 579.80 INV.= 576.00
- 10R INLET TY B W/TY 3V FR & GR STA. 497+00, 45' RT. GRATE= 584.57 INV.= 577.81
- 11R INLET TY A W/TY 8 GR STA. 497+60, 95' RT GRATE= 582.33 INV.= 579.33
- 12R INLET TY A W/TY 8 GR STA. 500+80, 115' RT GRATE= 582.00 INV.= 579.00
- 13R INLET TY B W/TY 3V FR & GR STA. 501+55, 43' RT. GRATE= 586.45 INV.= 577.00
- 14R INLET TY A W/TY 3V FR & GR STA. 504+20, 46' RT. GRATE= 581.20 INV.= 578.00
- 15R INLET TY B W/TY 3V FR & GR STA. 505+75, 48' RT. GRATE= 577.70 INV.= 574.00



PROFILE	DATE
BY	
CHECKED	
DATE	
NO.	



PROPOSED DRAINAGE PLAN - 4

\*DATE-TIME\*  
 \*USER-SPEC\*  
 \*REF- 236cuf01.dgn  
 \*REF- 236cuf01.dgn  
 \*REF- 236cuf01.dgn  
 \*REF- 236cuf01.dgn  
 \*REF- 236cuf01.dgn