

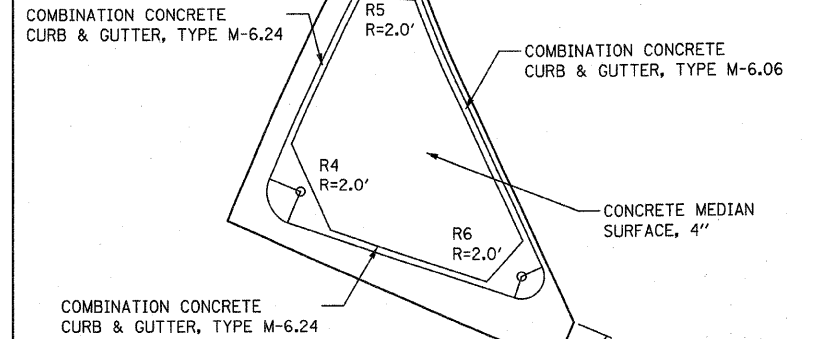
DATE	BY	REVISIONS
		1. PLAN SUBMITTED FOR REVIEW
		2. PLAN CHECKED AND APPROVED
		3. PLAN PRINTED AND ASSEMBLED
		4. PLAN FILED

**NOTE:**

1. ALL DIMENSIONS, STATIONS, AND OFFSETS ARE TO THE EDGE OF PAVEMENT UNLESS OTHERWISE NOTED.

FAI ROUTE	SECTION	COUNTY	TOTAL SHEETS	SHEET NO.
70		MADISON	420	127
STA. 488+80		TO STA. 494+00		
CONTRACT NO.: 76709				

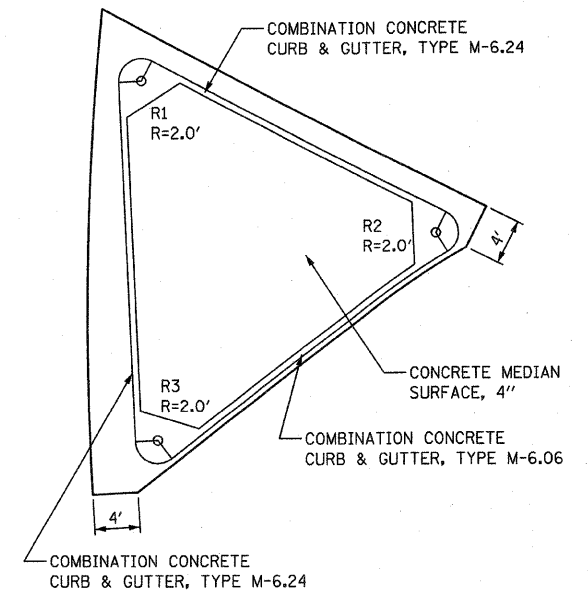
• 60-10K-1, 60-10HB



STATION OFFSET DATA FOR ISLAND RADII

DESCRIPTION	IL RTE 162	
	STATION	OFFSET
R4	491+59.65	41.31' LT
R5	491+58.94	61.95' LT
R6	491+81.26	42.31' LT

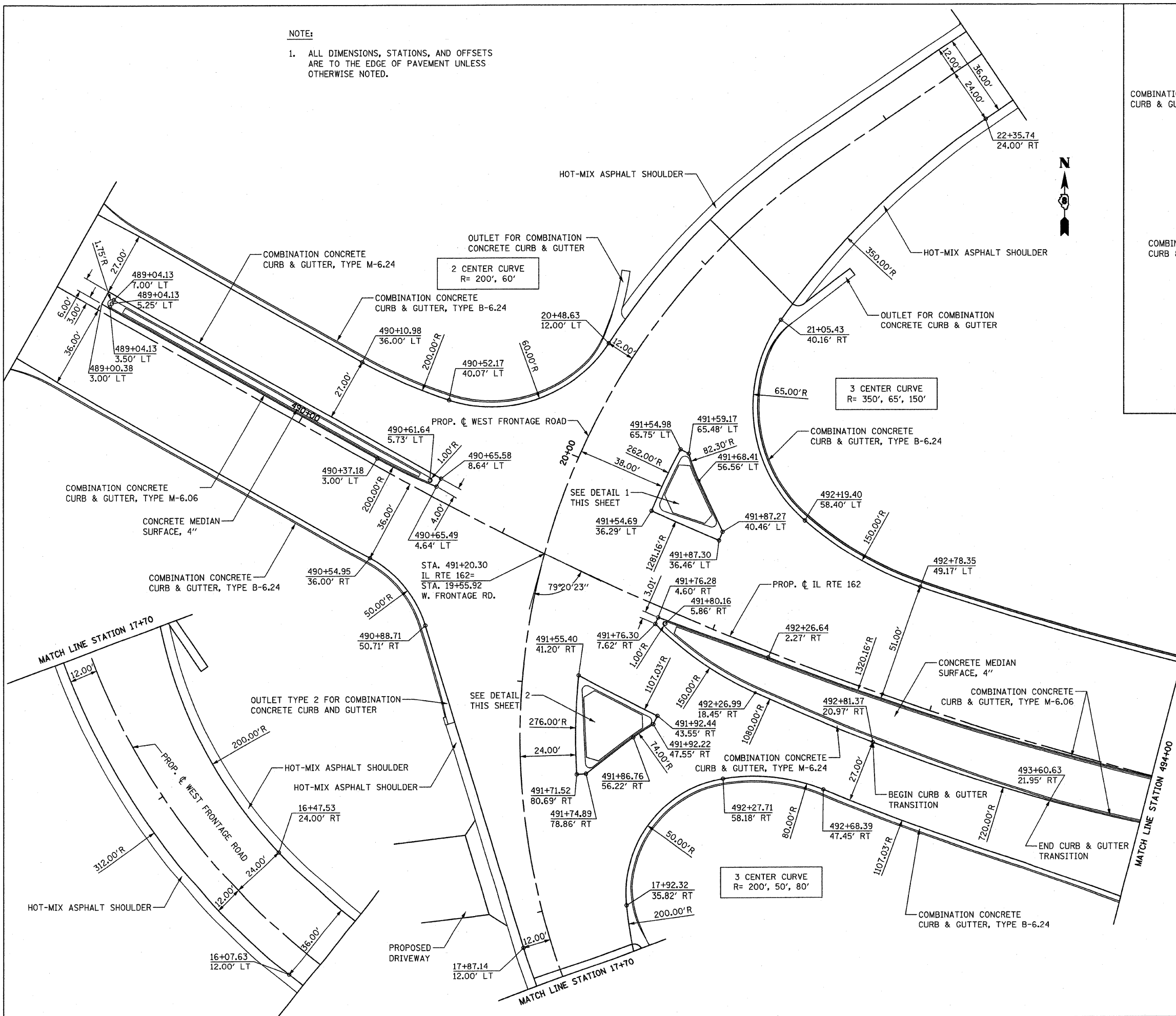
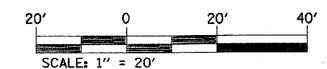
**DETAIL 1** SCALE: 1" = 10'



STATION OFFSET DATA FOR ISLAND RADII

DESCRIPTION	IL RTE 162	
	STATION	OFFSET
R1	491+61+02	45.58' RT
R2	491+89.33	47.37' RT
R3	491+74.70	74.00' RT

**DETAIL 2** SCALE: 1" = 10'



REVISIONS	
NAME	DATE

**ILLINOIS DEPARTMENT OF TRANSPORTATION  
INTERSECTION LAYOUT DETAILS - 1**

FAI ROUTE 70  
SECTION 60-10K-1, 60-10HB  
MADISON COUNTY

DRAWN BY: GRH

PLLOT DATE: \*DATE-TIME\*

PLAN NO. 2360010101