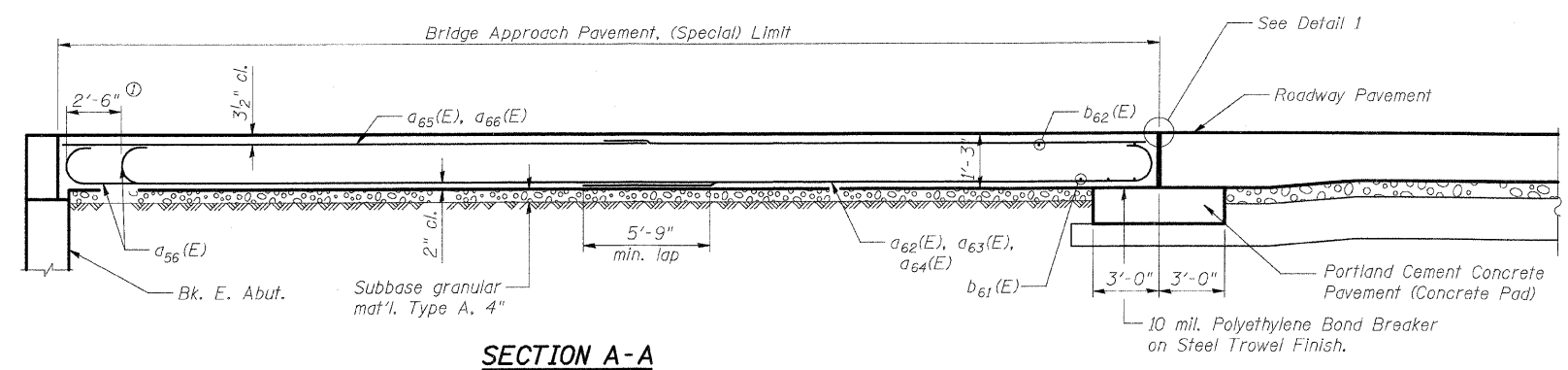
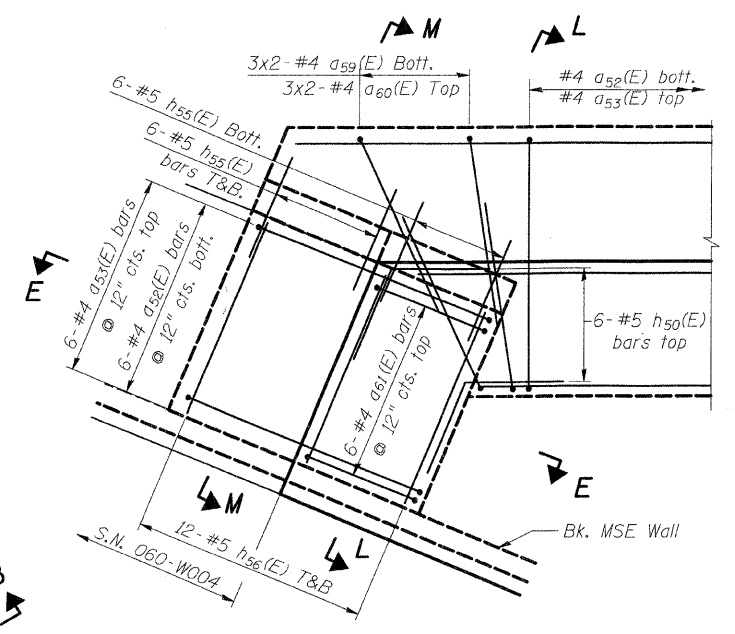


F.A.I. RTE.	SECTION	COUNTY	TOTAL SHEETS	SHEET NO.
TO		MADISON	420	217
STA.	TO STA.			
FED. ROAD DIST. NO.	ILLINOIS	FED. AID PROJECT		
• 60-10K-1, 60-10HB CONTRACT NO. 76709				



**SECTION A-A**

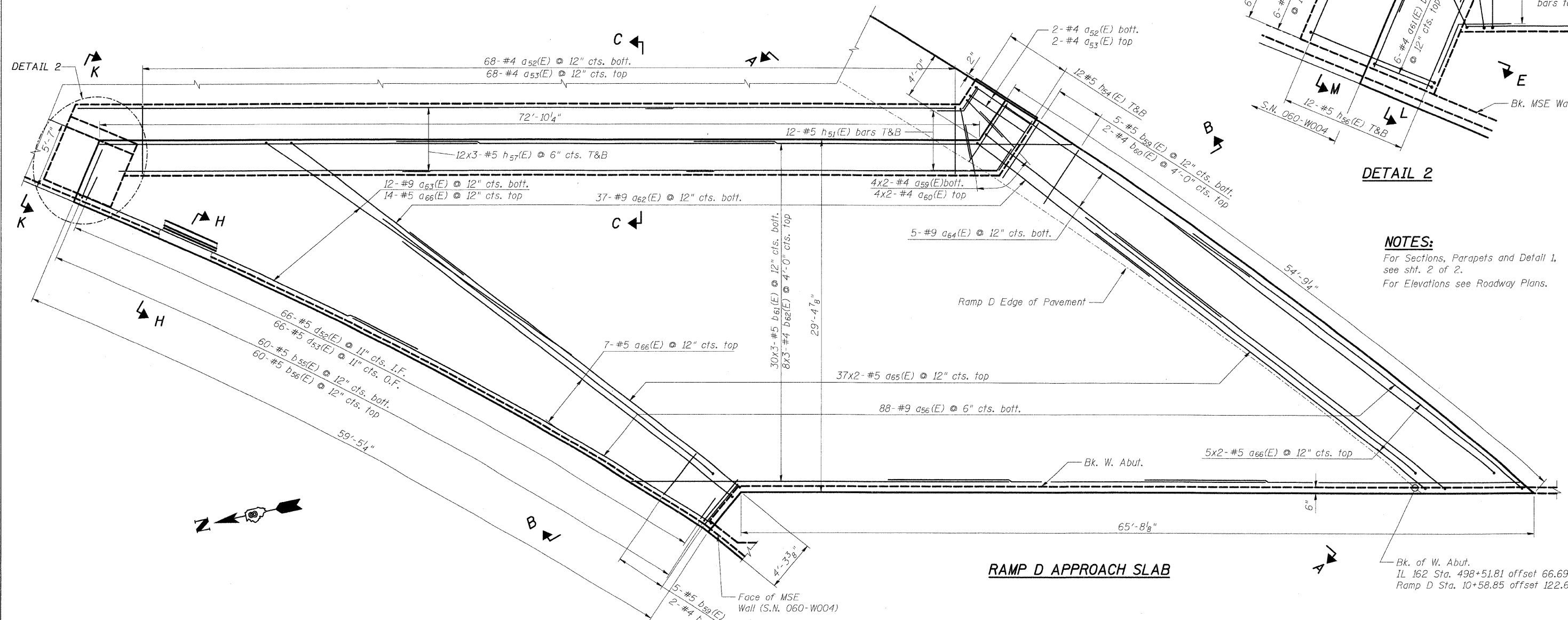
① Stagger #9 a56(E) bars as shown on plan - full width



**DETAIL 2**

**NOTES:**

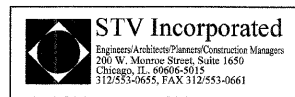
For Sections, Parapets and Detail 1, see sht. 2 of 2.  
For Elevations see Roadway Plans.



**RAMP D APPROACH SLAB**

Bk. of W. Abut.  
IL 162 Sta. 498+51.81 offset 66.69' Rt.  
Ramp D Sta. 10+58.85 offset 122.64' Rt.

SHT. 1 OF 2



REVISIONS	
NAME	DATE

ILLINOIS DEPARTMENT OF TRANSPORTATION  
IL ROUTE 162 OVER I-55/70 IN TROY  
F.A.I. ROUTE 70 SECTION 60-10K-1, 60-10HB  
MADISON COUNTY STATION 499+48.35  
STRUCTURE NO. 060-0338  
**RAMP D APPROACH SLAB (SPECIAL)**  
DESIGNED: JAW DRAWN: BTO  
DATE: 4/06 CHECKED: BTO CHECKED: JAN