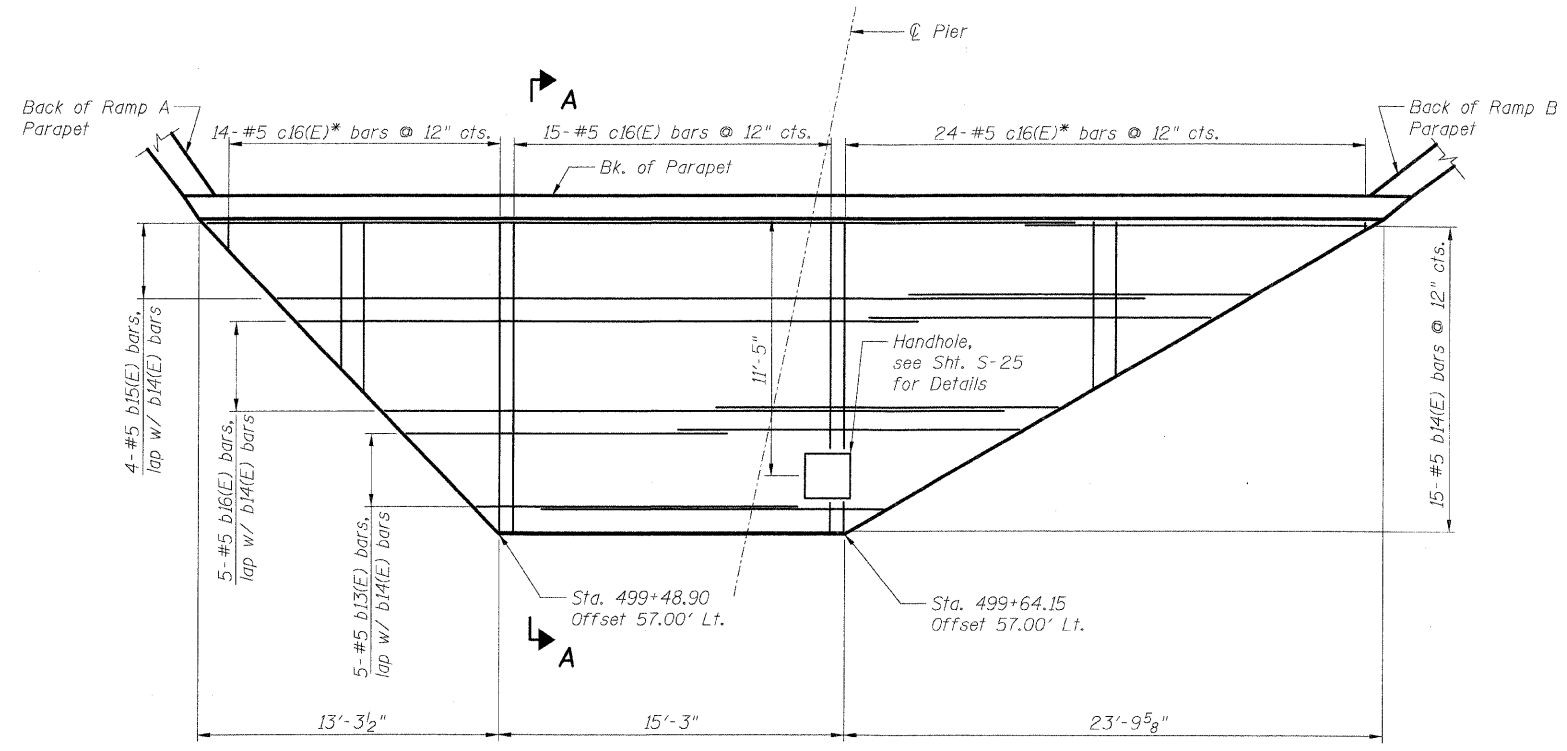
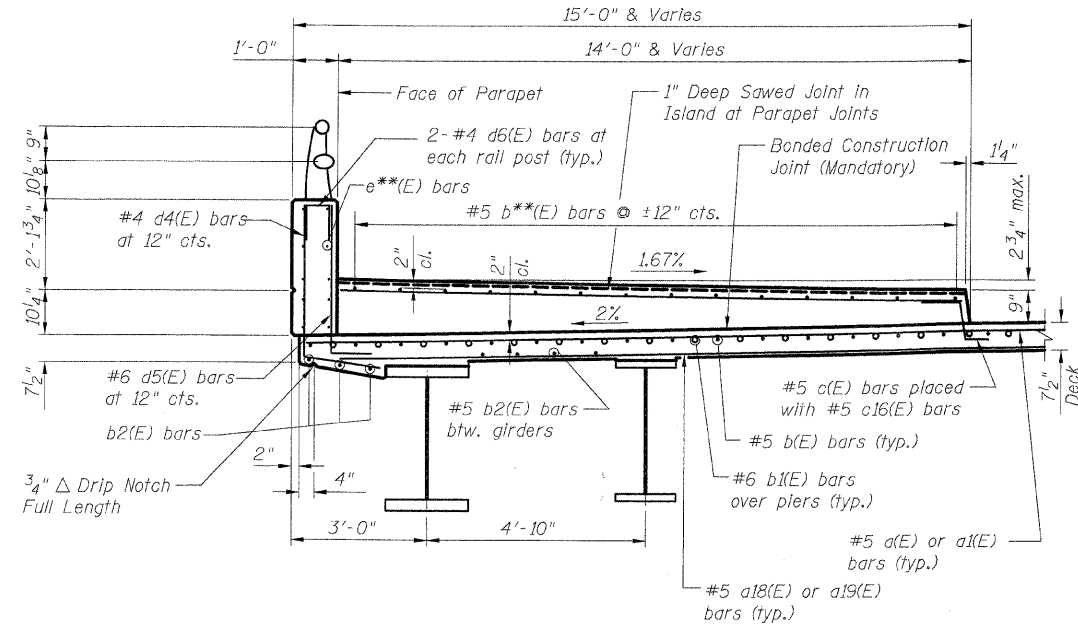


F.A.I. RTE.	SECTION	COUNTY	TOTAL SHEETS	SHEET NO.
TO 60-10K-1,60-10HB		MADISON	420	244
STA.	TO STA.			
FED. ROAD DIST. NO.	ILLINOIS	FED. AID PROJECT		

CONTRACT NO. 76709



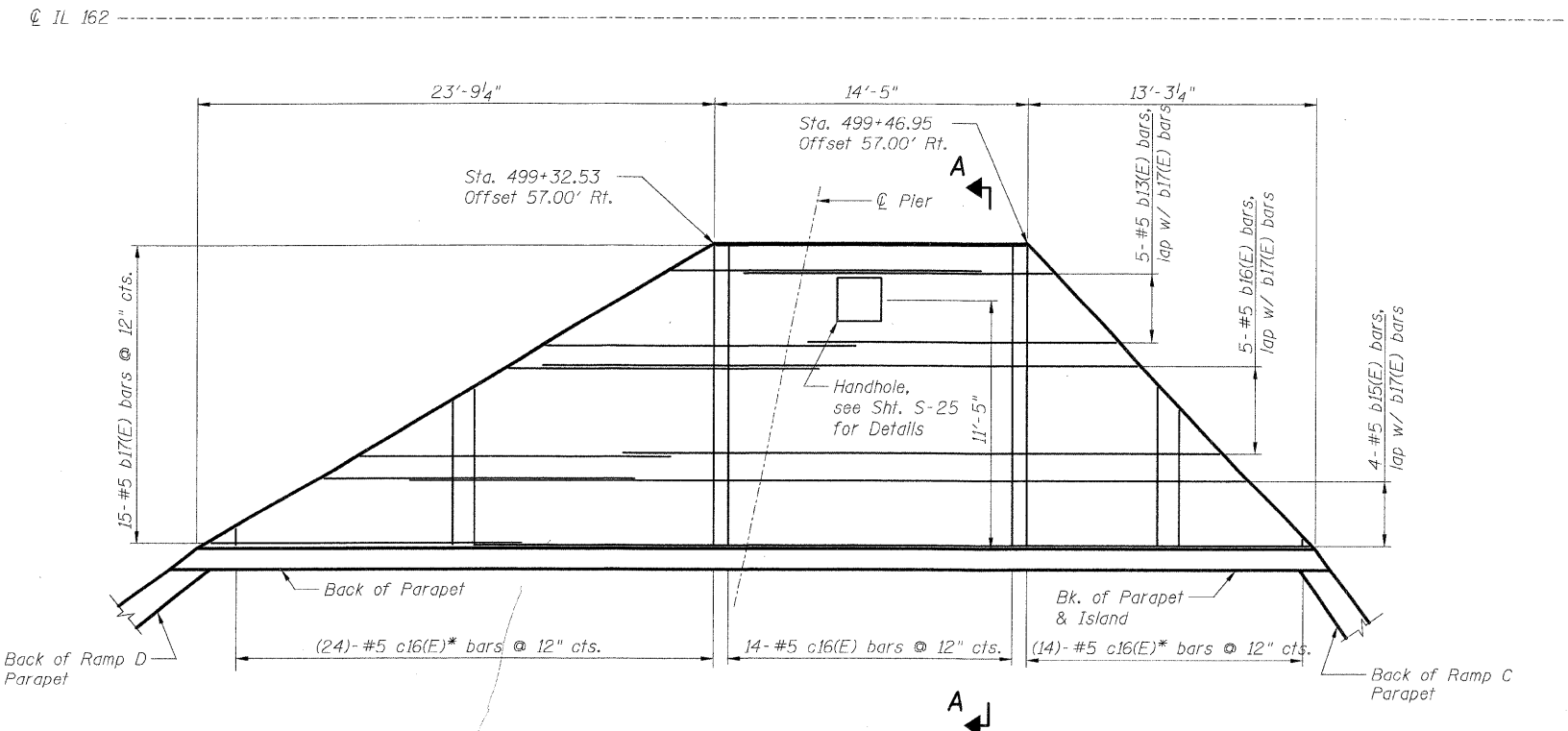
PLAN NORTH ISLAND



SECTION A-A

NOTE:

** - Indicates for bar designation see deck plans, parapet elevations and diaphragm elevation.



PLAN SOUTH ISLAND

*Order c16(E) bars full length. Cut to fit skew and use remainder of bars in opposite island.

REVISIONS	
NAME	DATE

ILLINOIS DEPARTMENT OF TRANSPORTATION
 IL ROUTE 162 OVER I-55/70 IN TROY
 F.A.I ROUTE 70 SECTION 60-10K-1, 60-10HB
 MADISON COUNTY STATION 499+48.35
 STRUCTURE NO. 060-0338
 NORTH & SOUTH ISLAND DETAILS

DESIGNED: BTO
 CHECKED: JAW
 DATE: 03/06

DRAWN: BTO
 CHECKED: JAW

SHT. S-26 OF S-68

STV Incorporated
 Engineers/Architects/Planners/Construction Managers
 200 W. Monroe Street, Suite 1650
 Chicago, IL 60606-5013
 312/553-0655, FAX 312/553-0661