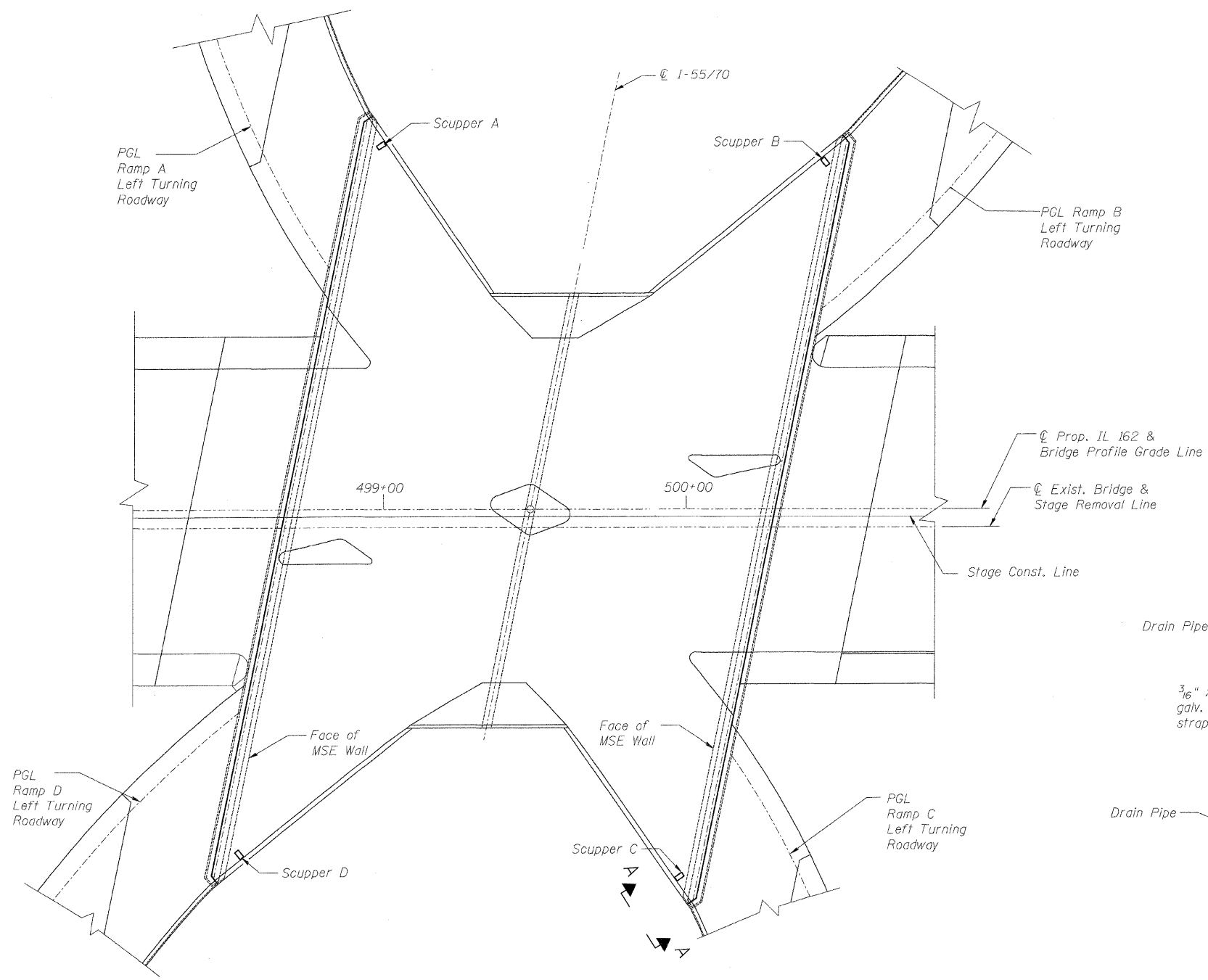
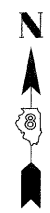


F.A.I. RTE.	SECTION	COUNTY	TOTAL SHEETS	SHEET NO.
70	60-10K-1,60-10HB	MADISON	420	252
STA.	TO STA.			
FED. ROAD DIST. NO.	ILLINOIS FED. AID PROJECT			

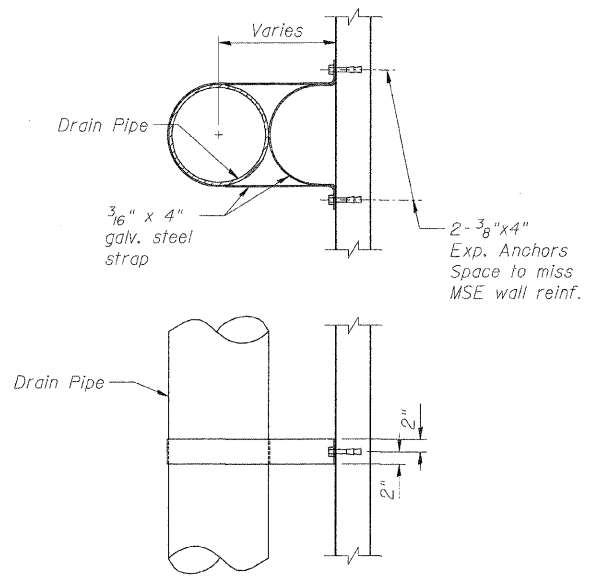
CONTRACT NO. 76709



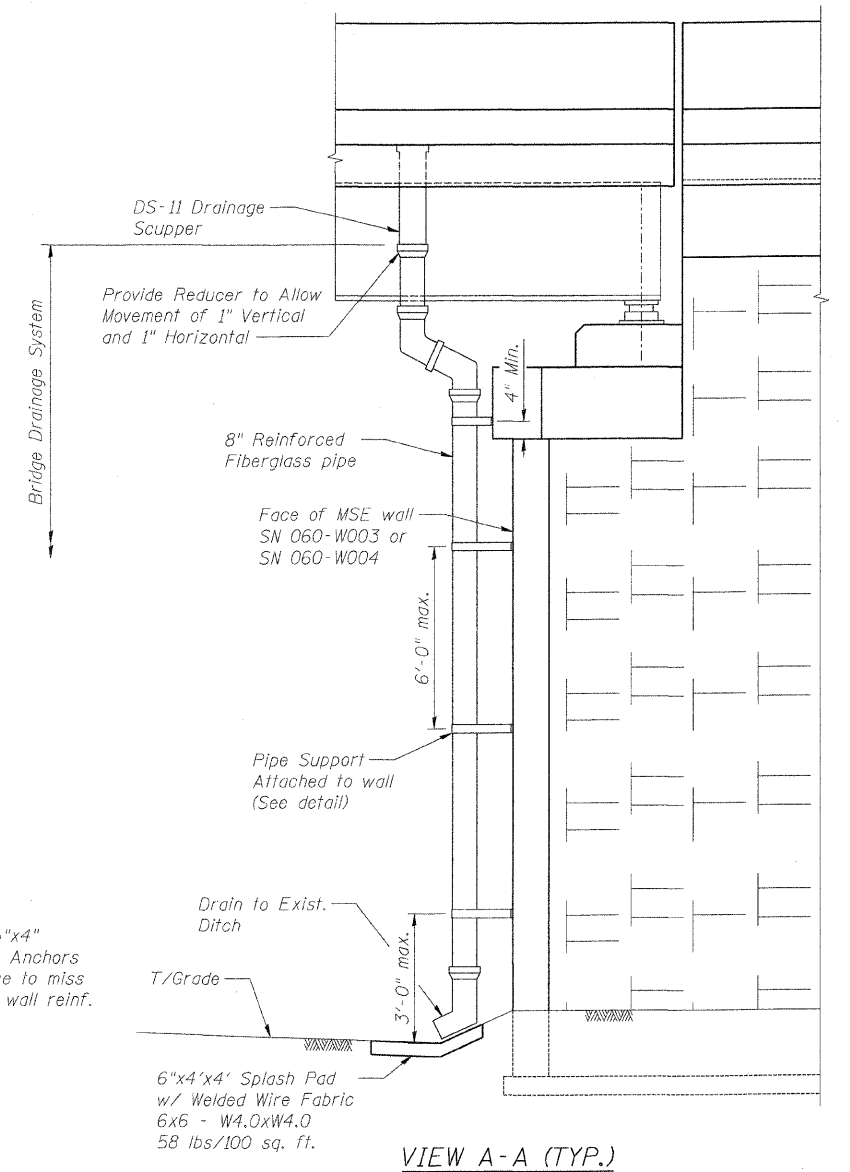
PLAN

Scupper	Station	Offset
A	49900.65	121.13 (L)
B	50044.68	116.41 (L)
C	49995.84	122.11 (R)
D	49852.01	116.42 (R)

SCUPPER LOCATION TABLE



PIPE BRACKET DETAIL AT MSE WALL



VIEW A-A (TYP.)

BILL OF MATERIAL

Item	Unit	Total
Drainage System	L.S.	1

- NOTES:
- See S-24 for section thru ramp parapet.
 - For Scupper locations, see deck plans S-17 thru S-20.

SHT. S-34 OF S-68



REVISIONS	
NAME	DATE

ILLINOIS DEPARTMENT OF TRANSPORTATION
 IL ROUTE 162 OVER I-55/70 IN TROY
 F.A.I ROUTE 70 SECTION 60-10K-1, 60-10HB
 MADISON COUNTY STATION 499+48.35
 STRUCTURE NO. 060-0338
 BRIDGE DRAINAGE SYSTEM
 DESIGNED: JAN DRAWN: BTO
 DATE: 03/06 CHECKED: AWH CHECKED: JAN