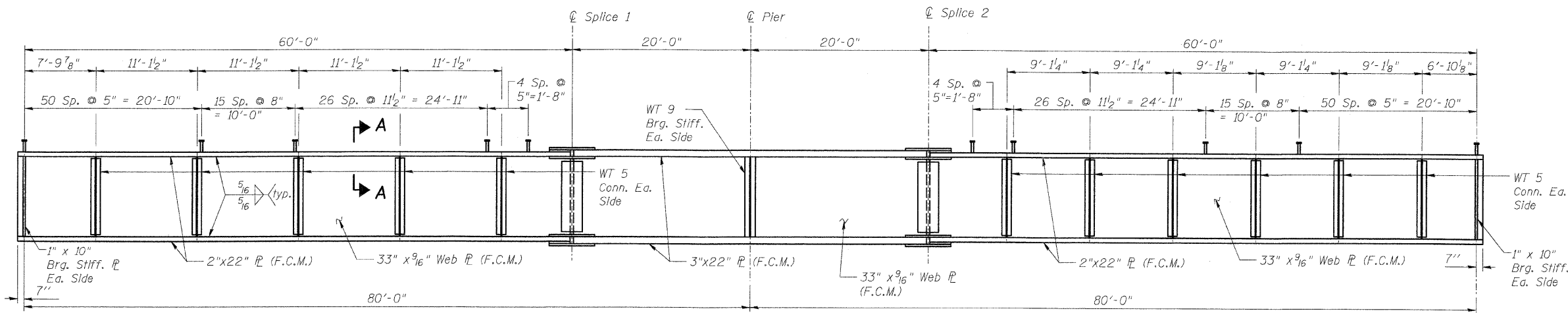
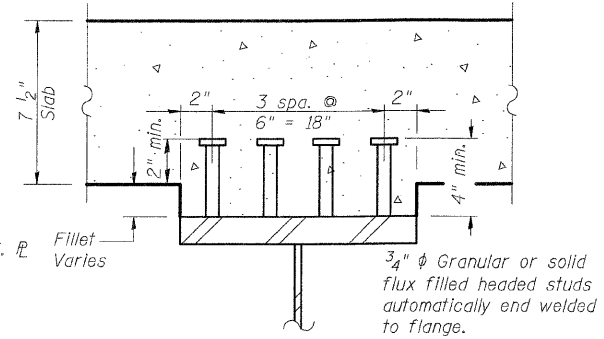
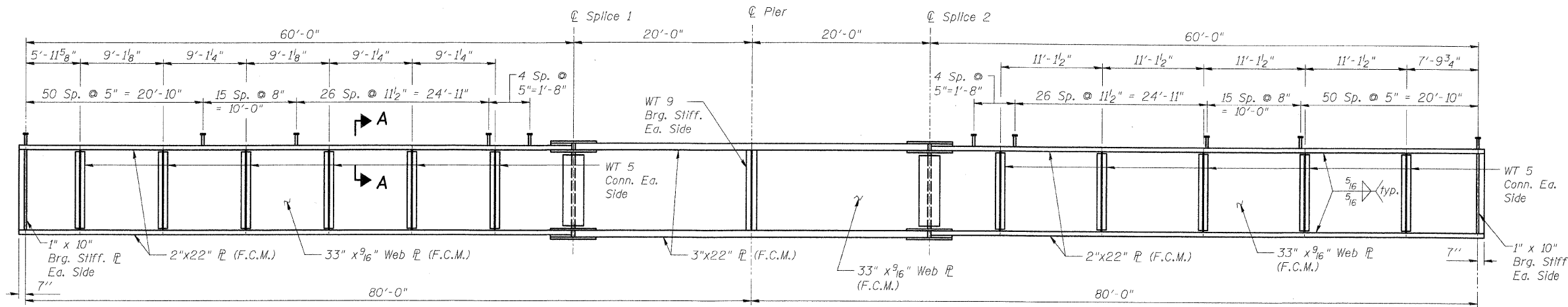


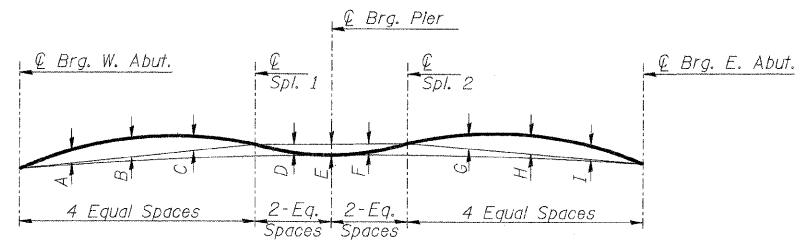
F.A.I. RTE.	SECTION	COUNTY	TOTAL SHEETS	SHEET NO.
70	60-10K-1,60-10HB	MADISON	420	259
STA.	TO STA.			
FED. ROAD DIST. NO.	ILLINOIS	FED. AID PROJECT		

CONTRACT NO. 76709



TOP OF WEB ELEVATIONS
(For Fabrication Only)

GIRDER	WEST ABUT. BRG.	℄ SPLICE 1	℄ PIER	℄ SPLICE 2	EAST ABUT. BRG.
1	585.718	585.890	585.877	585.948	585.950
2	585.870	586.088	586.077	586.149	586.114
16	585.662	585.989	586.014	586.122	586.196
17	585.494	585.783	585.810	585.919	586.039



GIRDER	A	B	C	D	E	F	G	H	I
1	1/2	5/8	1/2	1/8	1/2	1/8	1/2	5/8	1/2
2	1/2	3/4	1/2	1/8	1/2	1/8	1/2	3/4	1/2
16	1/2	3/4	1/2	1/8	1/2	1/8	1/2	3/4	1/2
17	1/2	5/8	1/2	1/8	1/2	1/8	1/2	5/8	1/2

CAMBER VALUES
(Dimensions in inches)

BILL OF MATERIAL

Item	Unit	Total
Stud Shear Connectors	Each	1536

- NOTES:**
1. F.C.M. denotes fracture critical member or Member Component.
 2. For splice details, see Sht. S-47.
 3. For Bearing Stiffener details, see Sht. S-48.
 4. For Ramp Beam connection details, see Sht. S-49.
 5. All steel shown on this sheet shall be AASHTO M270 Grade 50.

REVISIONS	
NAME	DATE

ILLINOIS DEPARTMENT OF TRANSPORTATION
 IL ROUTE 162 OVER I-55/70 IN TROY
 F.A.I ROUTE 70 SECTION 60-10K-1, 60-10HB
 MADISON COUNTY STATION 499+48.35
 STRUCTURE NO. 060-0338

ELEVATION - GIRDERS 1 & 17

DESIGNED: AWB DRAWN: BTO
 CHECKED: JAN CHECKED: JAN

SHT. S-41 OF S-68

STV Incorporated
 Engineers/Architects/Interior Construction Managers
 200 W. Monroe Street, Suite 1650
 Chicago, IL 60606-5015
 312.553-9655, FAX 312.553-0661