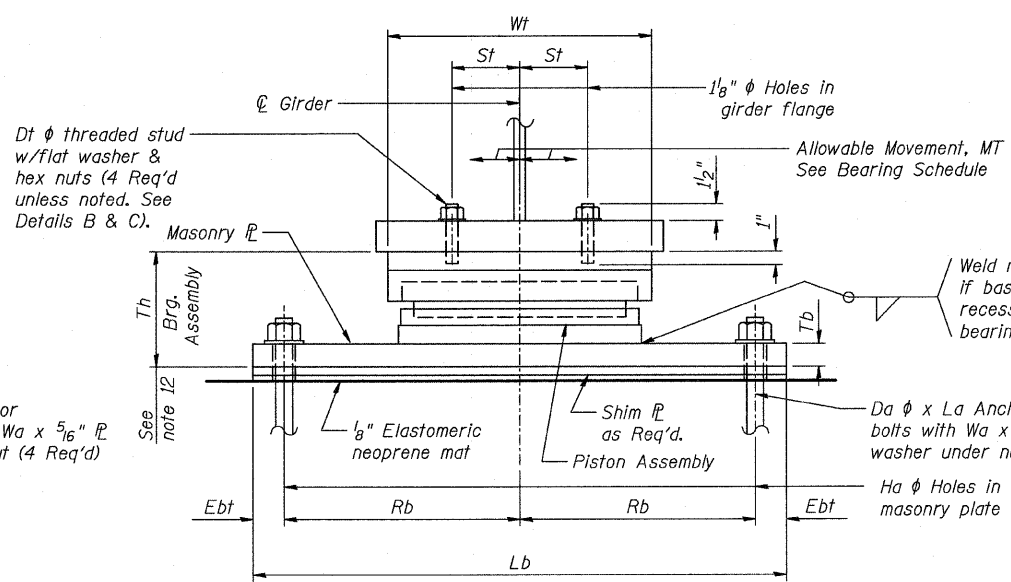
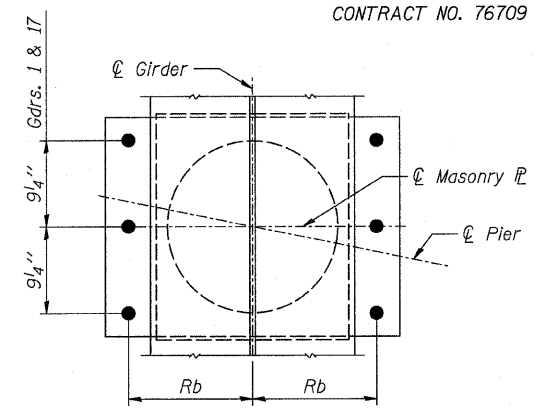


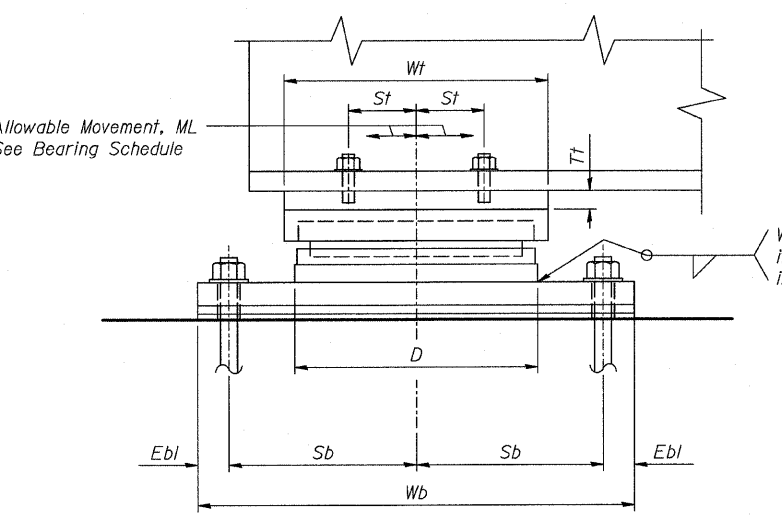
**SECTION**



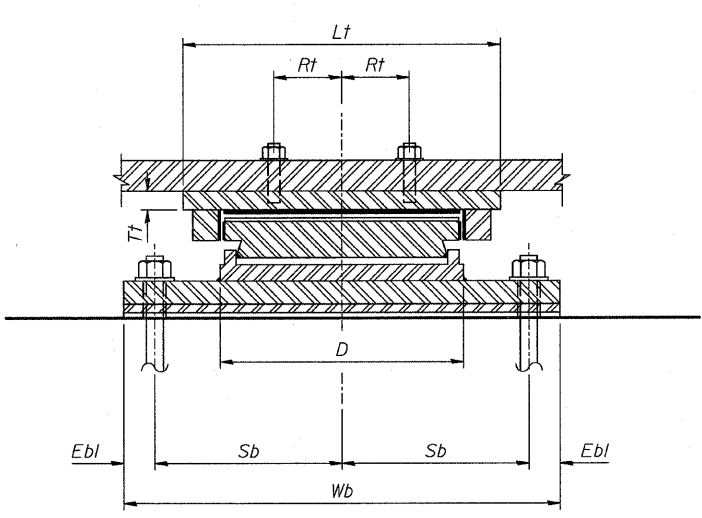
**ELEVATION**



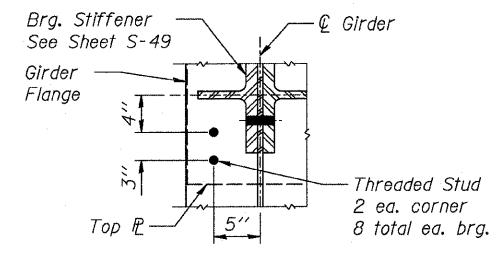
**DETAIL "A"**



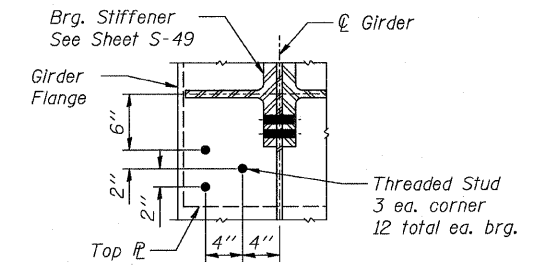
**ELEVATION**



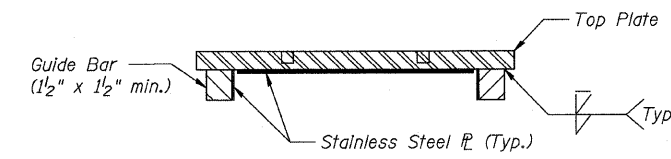
**SECTION**



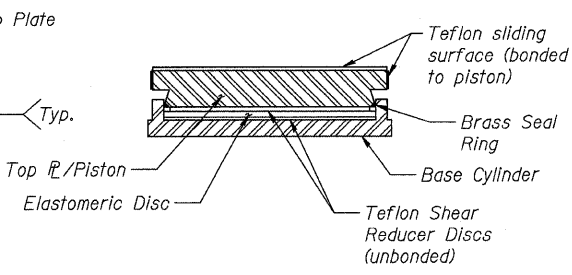
**DETAIL "B"**



**DETAIL "C"**



**TOP PLATE ASSEMBLY**



**PISTON ASSEMBLY**

**GUIDED EXPANSION BEARING - LONGITUDINAL TO GIRDER**

**GUIDED EXPANSION BEARING - TRANSVERSE TO GIRDER**

**BEARING SCHEDULE**

Type	Vertical Capacity K	Lateral Capacity K	Quantity Each	Location	Girders	Guided Expansion	ML in	MT in	Th in	D in	Top Plate/Bearing Assembly					Masonry Plate											
											Lt in	Wt in	Dt in	Tt in	St in	Rt in	Lb in	Wb in	Tb in	Sb in	Rb in	Ebl in	Ebt in	Da in	La in	Ha in	Wa in
High Load Multi-Rotation Bearings, Guided Expansion, 100K	100	50	26	Abutment	3-15	Long.	2	-	6.601	7.5	12.50	10	1	1.5	3	4.25	20	11.0	1.5	3.75	8.25	1.75	1.75	1	14	1.5	2.25
High Load Multi-Rotation Bearings, Guided Expansion, 350K	350	135	2	Pier	2,16	Transv.	-	2	8.625	13.5	19.25	15.75	1	2.25	Detail B	Detail B	28.75	17.00	1.75	5	10.875	3.5	2.625	1.5	20	2	3
High Load Multi-Rotation Bearings, Guided Expansion, 650K	650	250	2	Pier	1,17	Transv.	-	2	10.875	18.375	24.25	20.75	1	3	Detail C	Detail C	32	23.75	2	Detail A	13.375	2.625	2.625	1.5	20	2	3

**BILL OF MATERIAL - ANCHORS**

Location	Diameter	Length	Total	Type
Pier	1 1/2"	1'-10"	20	ASTM F1554
E. Abutment	1"	1'-2"	52	ASTM F1554
W. Abutment	1"	1'-2"	52	ASTM F1554

**BILL OF MATERIAL - BEARINGS**

Item	Unit	Total
High Load Multi-Rotation Bearings, Guided Expansion, 100K	Each	26
High Load Multi-Rotation Bearings, Guided Expansion, 350K	Each	2
High Load Multi-Rotation Bearings, Guided Expansion, 650K	Each	2

**NOTES:**

- For notes see Sht. S-50.
- Work this sheet with Sht. S-50.
- For location of bearing type, see Sht. S-37.

SHT. S-51 OF S-68



REVISIONS	
NAME	DATE

ILLINOIS DEPARTMENT OF TRANSPORTATION  
 IL ROUTE 162 OVER I-55/70 IN TROY  
 F.A.I. ROUTE TO SECTION 60-10K-1, 60-10HB  
 MADISON COUNTY STATION 499+48.35  
 STRUCTURE NO. 060-0338  
**HIGH LOAD MULTI-ROTATION BEARINGS  
 - GUIDED EXPANSION**  
 DESIGNED: BTO DRAWN: BTO  
 DATE: 03/06 CHECKED: JAN CHECKED: JAN