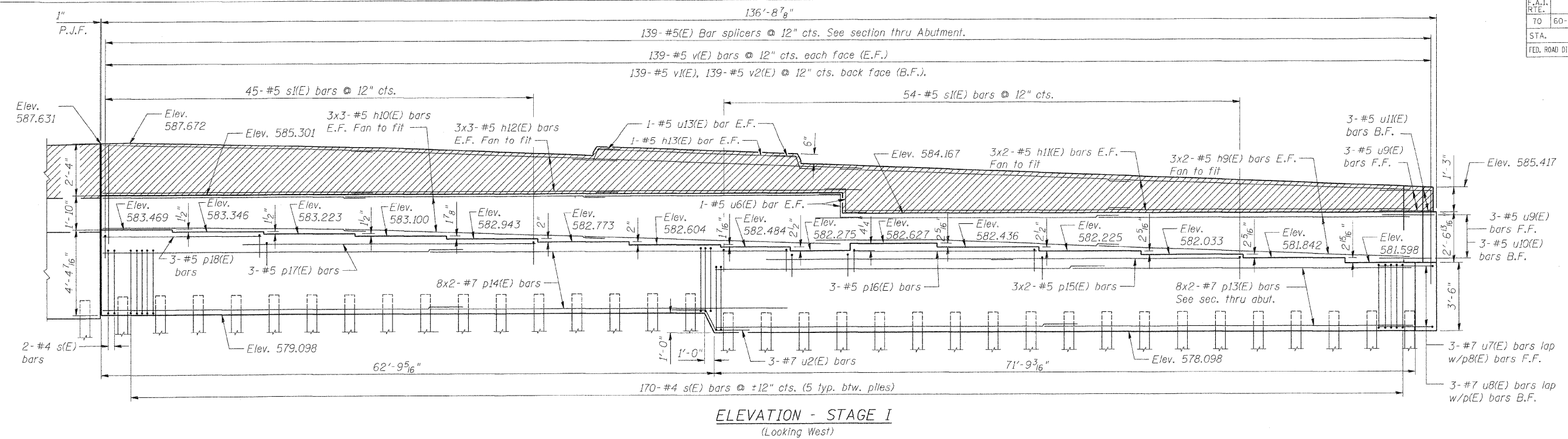
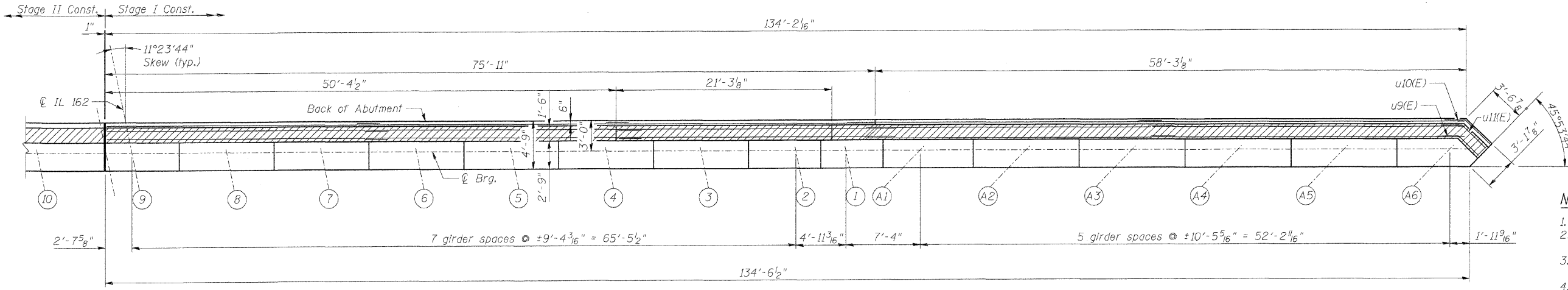


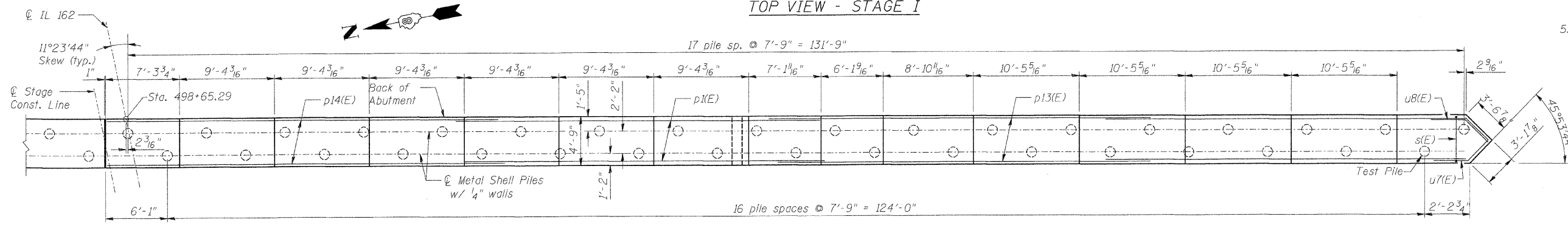
F.A.I. RTE.	SECTION	COUNTY	TOTAL SHEETS	SHEET NO.
70	60-10K-1,60-10HB	MADISON	420	274
STA.	TO STA.			
FED. ROAD DIST. NO.	ILLINOIS FED. AID PROJECT		CONTRACT NO. 76709	



ELEVATION - STAGE I
(Looking West)



TOP VIEW - STAGE I



PILE CAP PLAN - STAGE I

PILE DATA
 Type: 12" ϕ Metal Shell, w/ 1/4" wall
 Nominal Required Bearing: 355 kips
 Allowable Required Available: 80 kips
 Est. Length: 86 ft
 No. Required: 34 plus 1 Test Pile
 The Metal Shell piles shall be according to ASTM A252 Grade 3.

- NOTES:**
1. Pour steps monolithically with abutment.
 2. Space reinforcement in cap to miss anchor bolts.
 3. Bars designated (E) shall be epoxy coated.
 4. F.F. indicates Front Face
E.F. indicates Each Face
B.F. indicates Back Face
 5. For Bill of Material, sections and details, see Sht. S-58.

Min. Lap
 #5 bars = 2'-2"
 #7 bars = 3'-5"

SHT. S-56 OF S-68



REVISIONS	
NAME	DATE

ILLINOIS DEPARTMENT OF TRANSPORTATION
 IL ROUTE 162 OVER I-55/70 IN TROY
 F.A.I. ROUTE 70 SECTION 60-10K-1, 60-10HB
 MADISON COUNTY STATION 499+48.35
 STRUCTURE NO. 060-0338
WEST ABUTMENT PLAN & ELEVATION - STAGE I
 DESIGNED: JAW DRAWN: BTO
 CHECKED: BTO CHECKED: JAW
 DATE: 03/06