

**BILL OF MATERIAL**

Bar	No.	Size	Length	Shape
h(E)	36	#6	27'-3"	
h1(E)	12	#5	28'-4"	
h2(E)	6	#5	23'-0"	
h3(E)	36	#6	25'-6"	
h4(E)	12	#5	26'-9"	
h5(E)	6	#5	21'-4"	
n(E)	160	#8	14'-10"	
p(E)	10	#9	39'-9"	
p1(E)	5	#9	46'-1"	
p2(E)	10	#9	11'-6"	
p3(E)	3	#5	9'-1"	
p4(E)	3	#5	20'-8"	
p5(E)	5	#9	45'-10"	
p6(E)	5	#9	17'-10"	
p7(E)	10	#9	37'-3"	
p8(E)	5	#9	46'-1"	
p9(E)	3	#5	9'-2"	
p10(E)	3	#5	20'-6"	
p11(E)	5	#9	39'-3"	
p12(E)	3	#5	11'-2"	
s(E)	143	#5	11'-2"	
s1(E)	143	#5	10'-0"	
s2(E)	10	#6	9'-8"	
s3(E)	400	#5	6'-8"	
s4(E)	120	#5	8'-0"	
s5(E)	640	#5	9'-0"	
s6(E)	580	#5	2'-9 1/2"	
s7(E)	24	#5	7'-5"	
s8(E)	6	#5	7'-1"	
s9(E)	40	#5	11'-3"	
s10(E)	56	#5	13'-11"	
s11(E)	40	#5	11'-1"	
s12(E)	46	#5	13'-9"	
s13(E)	95	#5	7'-0"	
s14(E)	6	#5	6'-11"	
t(E)	294	#8	11'-6"	
u(E)	18	#5	11'-7"	
u1(E)	6	#5	6'-8"	
v(E)	160	#8	12'-11"	
v1(E)	32	#6	8'-0"	
w(E)	72	#5	26'-7"	
w1(E)	72	#5	24'-11"	
Structure Excavation	Cu. Yd.	401		
Concrete Structures	Cu. Yd.	331		
Reinforcement Bars, Epoxy Coated	Pound	53,920		
Test Pile Metal Shell	Each	1		
Furnishing Metal Pile Shells 12" x 0.250"	Foot	4558		
Driving Piles	Foot	4558		

Reinforcement Bars designated (E) shall be epoxy coated

**NOTE:**  
Work this sheet with Shts. S-59 thru S-61.

ILLINOIS DEPARTMENT OF TRANSPORTATION  
IL ROUTE 162 OVER I-55/70 IN TROY  
F.A.I. ROUTE 70 SECTION 60-10K-1, 60-10HB  
MADISON COUNTY STATION 499+48.35  
STRUCTURE NO. 060-0338

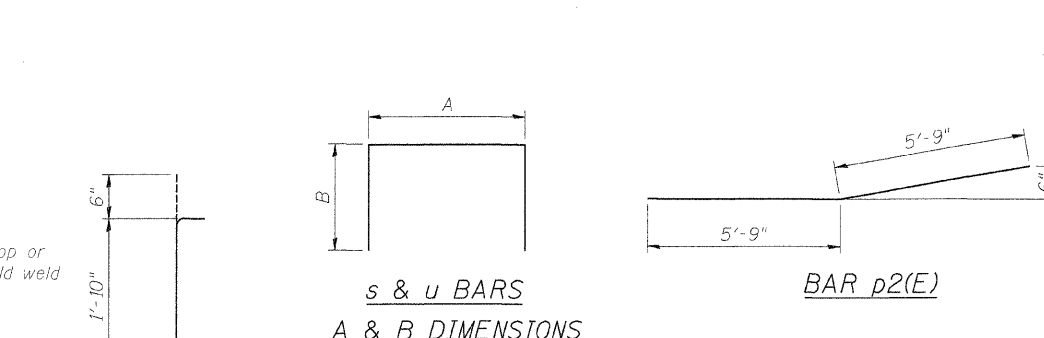
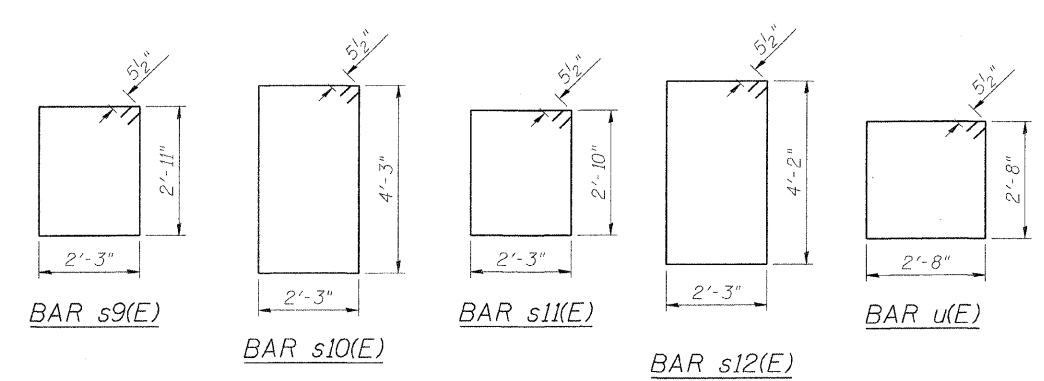
**PIER & PILE DETAILS**

DESIGNED: BTO  
DRAWN: BTO  
DATE: 03/06  
CHECKED: AWB  
CHECKED: AWB

SHT. S-62 OF S-68

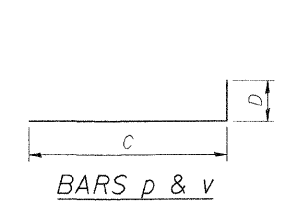
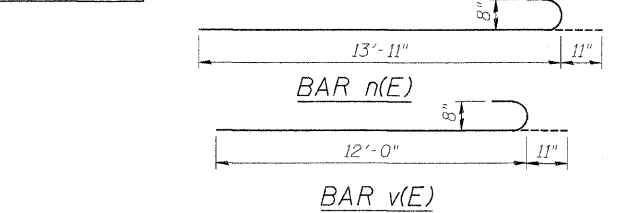


REVISIONS	
NAME	DATE



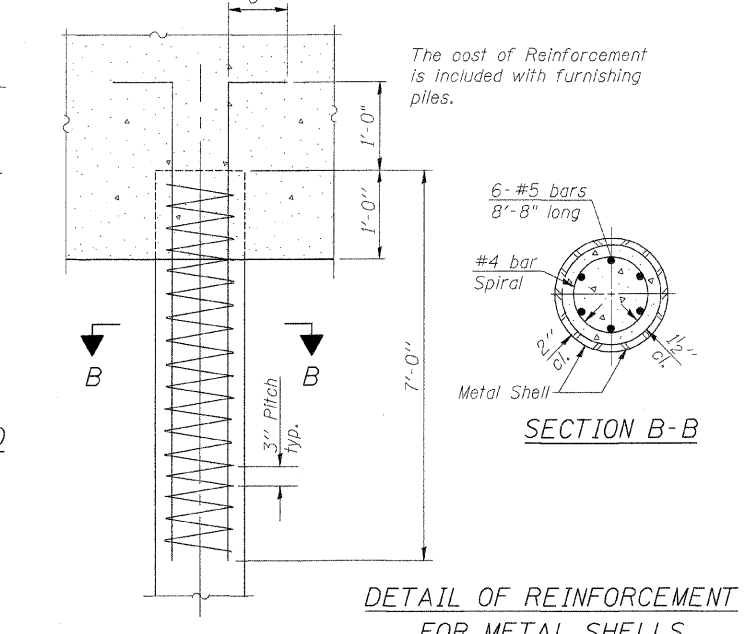
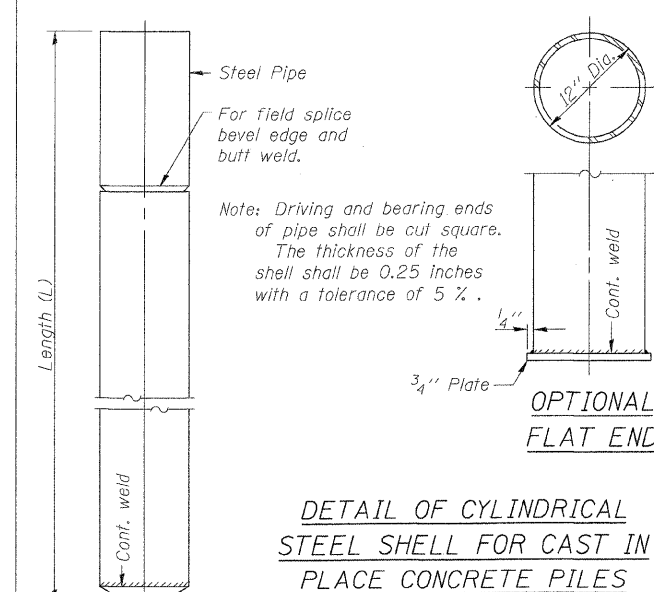
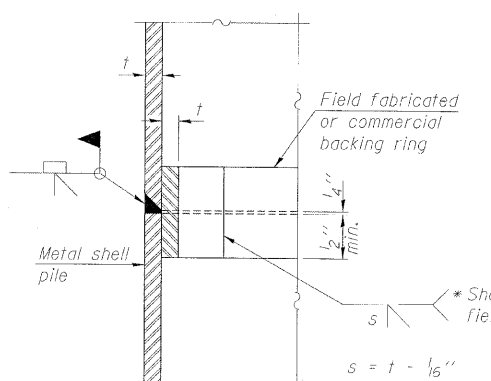
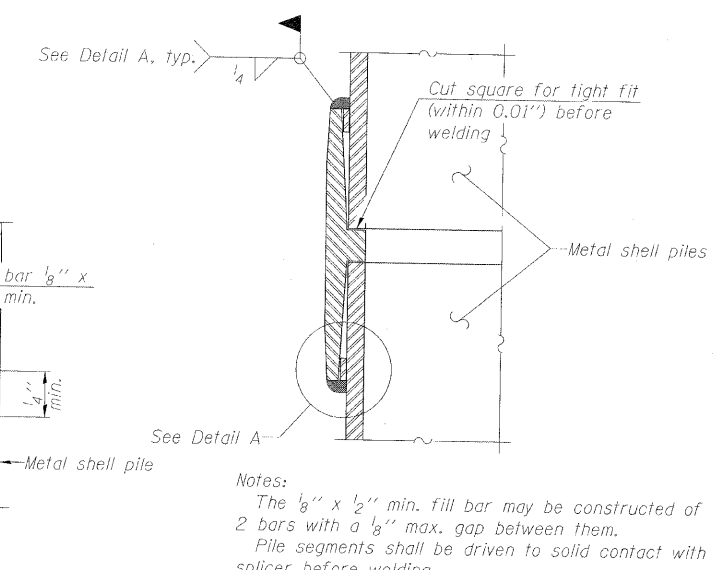
**A & B DIMENSIONS**

Bar	A	B
s(E)	2'-2"	4'-6"
s1(E)	2'-2"	3'-11"
s2(E)	2'-2"	3'-9"
s3(E)	1'-4"	2'-8"
s4(E)	1'-4"	3'-4"
s5(E)	1'-4"	3'-10"
s7(E)	2'-3"	2'-7"
s8(E)	2'-3"	2'-5"
s13(E)	2'-8"	2'-2"
s14(E)	2'-3"	2'-4"
u(E)	2'-8"	2'-0"



**C & D DIMENSIONS**

Bar	C	D
p1(E)	44'-6"	1'-7"
p5(E)	44'-3"	1'-7"
p6(E)	16'-3"	1'-7"
p8(E)	44'-6"	1'-7"
v1(E)	7'-0"	1'-0"



Note:  
The metal shell piles shall be according to ASTM A 252 Grade 3.